



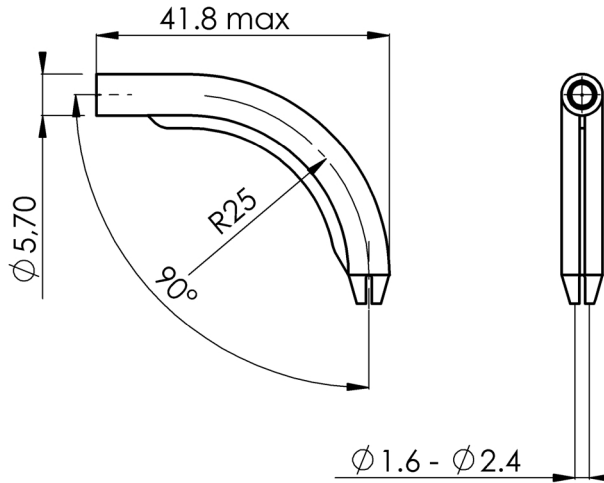
Title : LC short curved boot 90°, pack 100

Series
LC

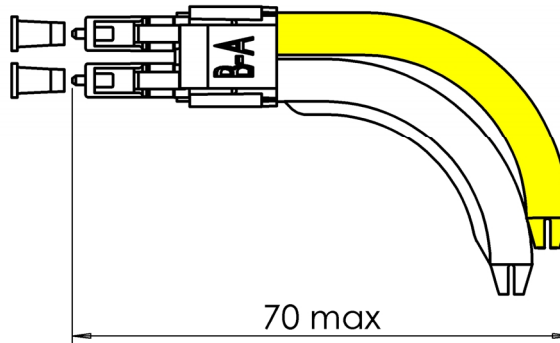
Issue
26 Nov. 04

Page
1/2

Dimensions : mm [inches]

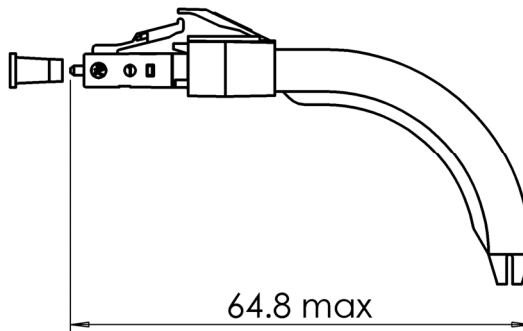


Short and long boot



Yellow boot not supplied

Only short boot



GENERAL

- Compatible with LC connectors
- Suitable for use with cable size Ø 1.6 to 2.4 mm
- Flammability = UL94 V0
- Colour : **Grey**
- Packaging : 100

| | | | | | | |
|------------------|------------|------------------|------|-------|--|---|
| CREATION | | | | | | RADIALL [®] 101, rue P. Hoffmann 93116 ROSNY/BOIS FRANCE Tel : (33) 0149353535 Fax : (33) 0148546363 |
| N°: | | | | | | |
| PEN/EP: 02 05 | | | | | | |
| Name: LV | 26 Nov. 04 | Duplex rmk added | LV | | | |
| Date: 26 July 04 | 15 Nov. 04 | Color added | LV | | | |
| Appr.: | Issue | Revisions | Name | Appr. | | |



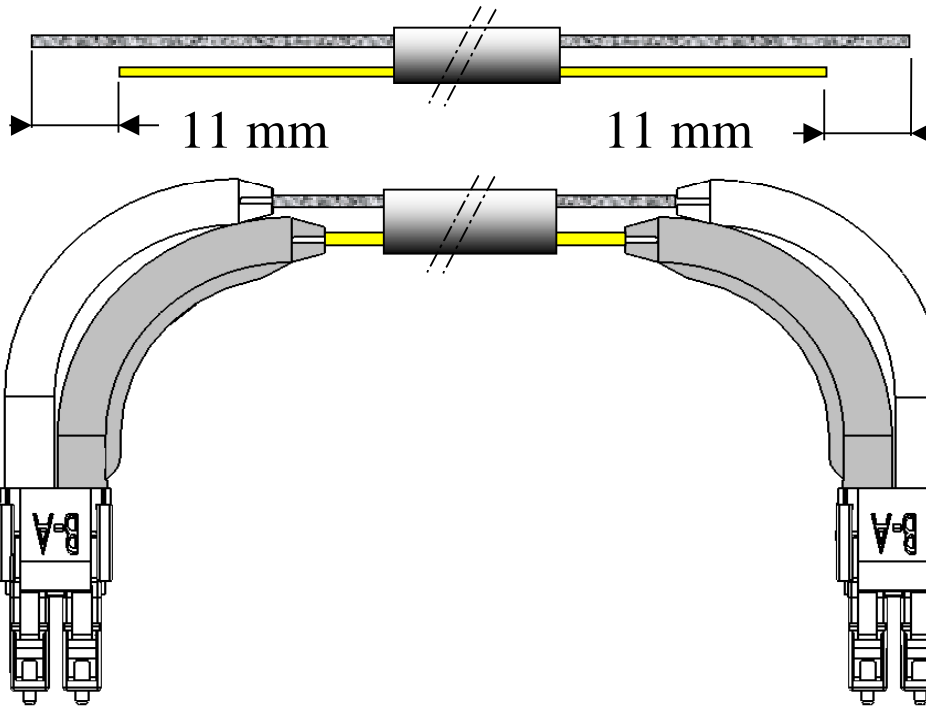
□ LC duplex assembly remark when both short and long boots are used :

Case n°1 :

Same boot on the same fiber,

Same fiber from side A to side B,

The cable length is different (11 mm / connector)



Case n°2 :

Different boot on the same fiber,

Same fiber from side A to side A

