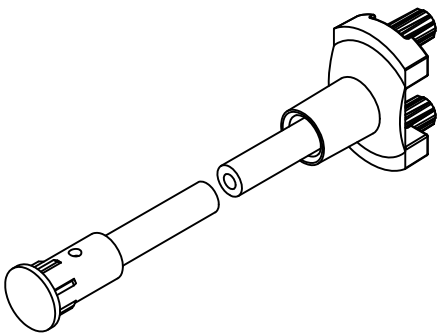
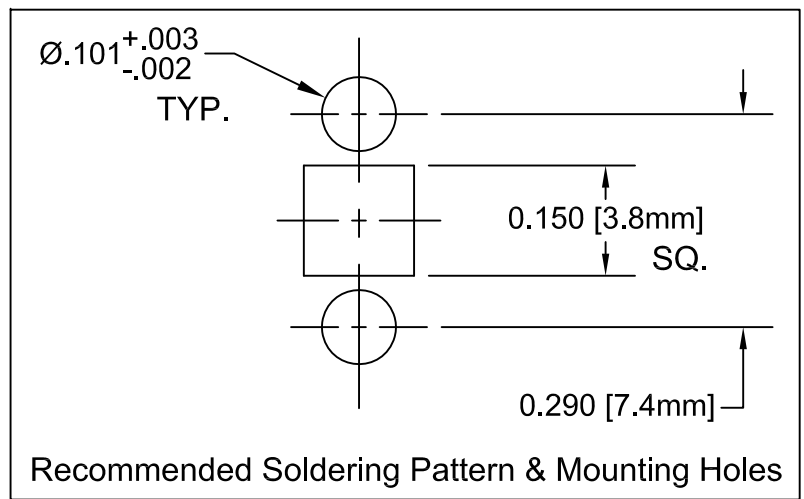
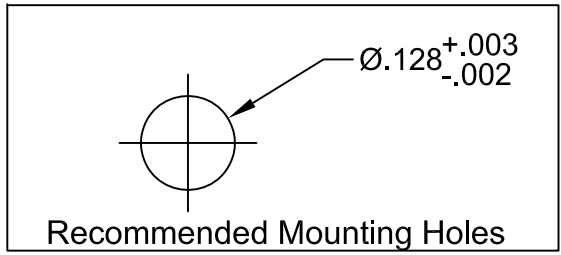
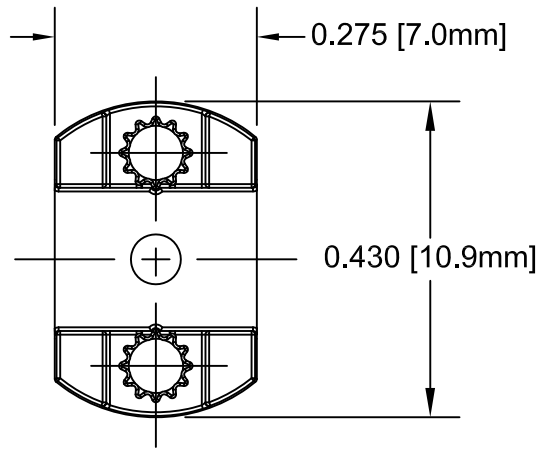
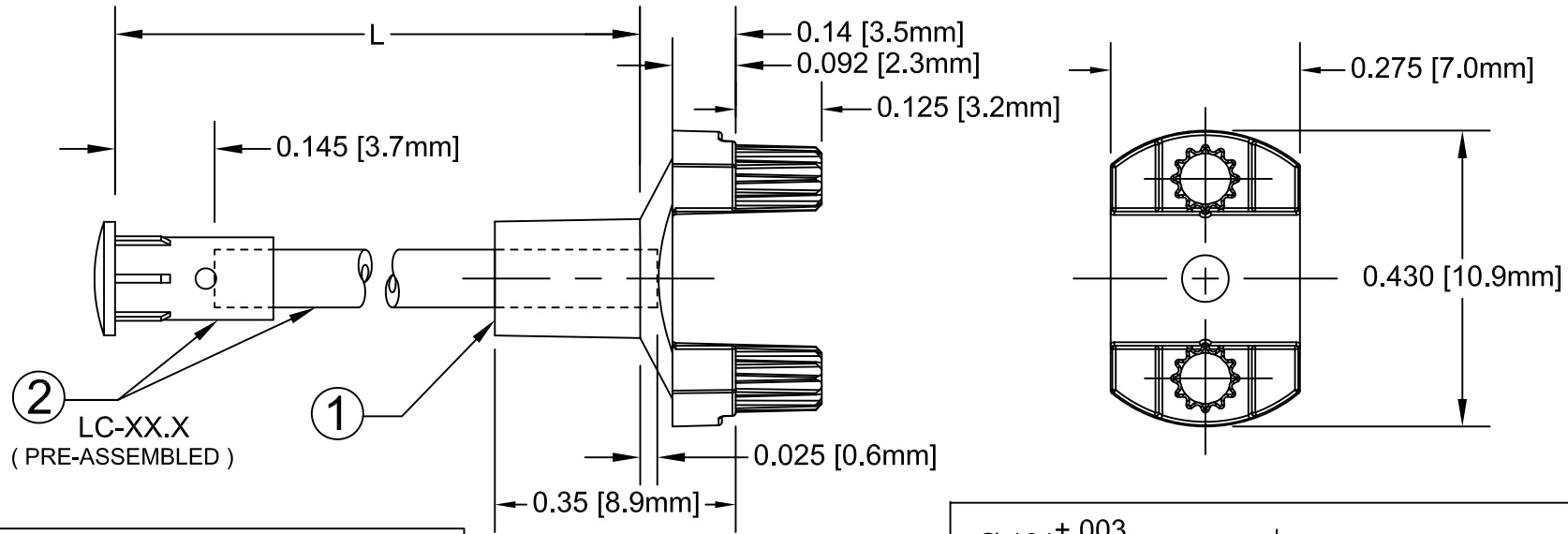


ITEM	Q'TY	PART NUMBER	PART DESCRIPTION
1	1	SMFLP	Adapter, Surface Mount Flexible Light Pipe
2	1	LC-XX.X	Lens Cap / FLPS1022-X.XXX Assembly. ( X.XXX, Cut Length in Inches)

REV.	DESCRIPTION	DATE	APPROVED
A	Engineering Release.	06/08/04	M. C.
B	L Dimension Update.	10/25/05	M. C.
C	L Dimension Update.	01/06/06	M. C.
D	Added Shipping Note	04/17/06	M. C.
E	Updated FLPC Hidden View	08/27/08	M. C.
F	Updated Fiber To FLPS In BOM	11/12/12	T. Y.
G	Updated Notes.	05/17/13	T. Y.



" L " *	Tolerance
1.0" ~ 16.0"	±0.050"
16.1" ~ 40.0"	±0.15"
40.1" ~ 80.0"	±0.30"
80.1" ~ 3,940.0"	±0.5%

\* Available in 0.1" increments only.

- NOTES:
- SMFLP ADAPTER SHIPPED NON-ASSEMBLED
  - MINIMUM 0.210" FIBER INSERTION INTO SMFLP

STANDARD TOLERANCE ( UNLESS OTHERWISE SPECIFIED )		 <b>BIVAR</b> <sup>®</sup> 4 THOMAS, IRVINE, CA. 92618 TEL: (949) 951-8808 FAX: (949) 951-3974	
DECIMALS	ANGULAR		
.X ±.1	X° ± 1°	 <b>TITLE:</b> FLEXIBLE LIGHT-PIPE SMD LED ADAPTER ASSY	
.XX ±.02			
.XXX ±.010			
DESIGNED: <b>David Green</b>	DATE: <b>06/08/04</b>	<b>PART NO:</b> SMFLPX.X	REVISION: <b>G</b>
CHECKED: <b>T. Yin</b>	DATE: <b>06/08/04</b>	<b>CAGE CODE :</b> 32559	<b>SHEET #</b> 1 OF 1
CAD GENERATED DOCUMENT, DO NOT MEASURE DRAWING.			