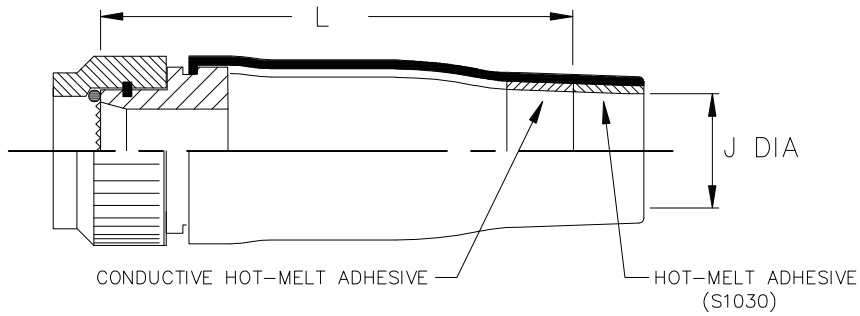


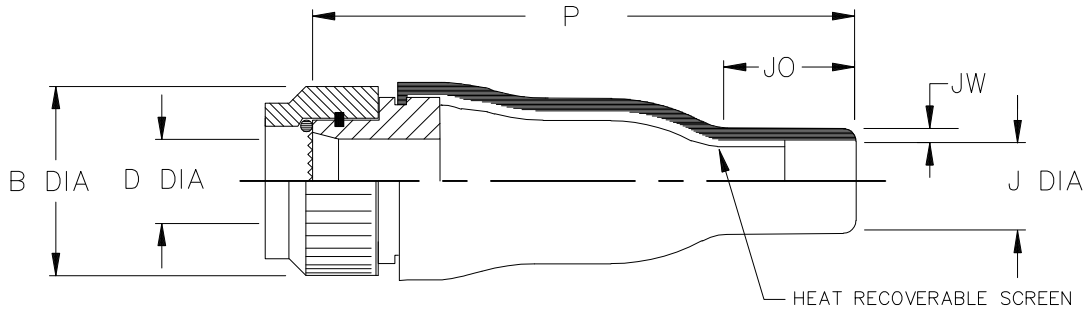
REVISIONS

P	LTR	DESCRIPTION	DATE	DWN	APVD
	9	RELEASED AS PER ECO-17-009529	03JUL2017	PV	MP

a) Part as supplied.



b) Part after unrestricted recovery.



NOTES:

Raychem Connector Code: 76
 Connector Series: BS 9522 F0017 (PATT 105)
 Adaptor Series: 228M0**-19-B**-K-NS (Olive Drab);
 Aluminium Alloy to BS1474 HE30TF, FC1 or 6262
 Cadmium per QQ-P-416, Type II, Class 3
 Over appropriate under plate,
 Per MIL-C-85049 (500 hour salt spray)
 Moulded Part Material: -100C (Black); Polyolefin/Silver Composites, semi-flexible
 ZEROHAL™ Low fire hazard

Kits to include cleaning tissue, 1 piece 100 grit emery cloth & packing piece.
 Kit to be used in conjunction with installation guide for straight assemblies.

Dimensions in mm [inches for reference]


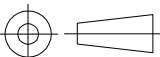
Part No.	Shell Size	B DIA MAX	D DIA MIN	J		P ±10% b	L REF a	JO REF b	JW ±30% b
				MIN a	MAX b				
KTKK0465	08	17.1 [.67]	6.3 [.25]	7 [.28]	5.0 [.20]	63 [2.48]	57 [2.24]	15 [.59]	1.0 [.04]
KTKK0466	10	20.1 [.79]	9.4 [.37]	9 [.35]	6.0 [.24]	78 [3.07]	72 [2.83]	17 [.67]	1.0 [.04]
KTKK0467	12	23.6 [.93]	13.4 [.53]	11 [.43]	7.2 [.28]	90 [3.54]	84 [3.31]	20 [.79]	1.0 [.04]
KTKK0468	14	26.6 [1.05]	14.2 [.56]	11 [.43]	7.2 [.28]	90 [3.54]	84 [3.31]	20 [.79]	1.0 [.04]
KTKK0469	16	30.1 [1.19]	18.9 [.74]	17 [.67]	8.5 [.33]	103 [4.06]	94 [3.70]	25 [.98]	1.0 [.04]
KTKK0470	18	33.1 [1.30]	18.9 [.74]	17 [.67]	8.5 [.33]	103 [4.06]	94 [3.70]	25 [.98]	1.0 [.04]
KTKK0471	20	36.6 [1.44]	23.7 [.93]	21 [.83]	10.0 [.39]	128 [5.04]	116 [4.57]	30 [1.18]	1.2 [.05]
KTKK0472	22	39.6 [1.56]	23.7 [.93]	21 [.83]	10.0 [.39]	128 [5.04]	116 [4.57]	30 [1.18]	1.2 [.05]
KTKK0473	24	43.1 [1.70]	30.9 [1.22]	29 [1.14]	15.8 [.62]	153 [6.02]	138 [5.43]	30 [1.18]	1.5 [.06]

RELEASED FOR PUBLICATION

ALL RIGHTS RESERVED.

COPYRIGHT 2016 By TE Connectivity

THIS DRAWING IS UNPUBLISHED.

DIMENSIONS: mm [INCHES]	DWN P. VU	100CT2016	MATERIAL	SEE NOTES	FINISH	SEE NOTES		
	CHK N. NAGAR	100CT2016	 TE Connectivity					
TOLERANCES UNLESS OTHERWISE SPECIFIED:	APVD M. POPE	100CT2016						
0 PLC ± -	PRODUCT SPEC	NAME ADAPTOR ASSEMBLY						
1 PLC ± -	—	—						
2 PLC ± -	APPLICATION SPEC	—						
3 PLC ± -	—	SIZE	CAGE CODE	DRAWING NO	RESTRICTED TO			
4 PLC ± -	—	A4	00779	C-KTKK0465-0473	—			
ANGLES ± -	WEIGHT	—						
		CUSTOMER DRAWING			SCALE	DNS	SHEET 1 OF 1	REV 9