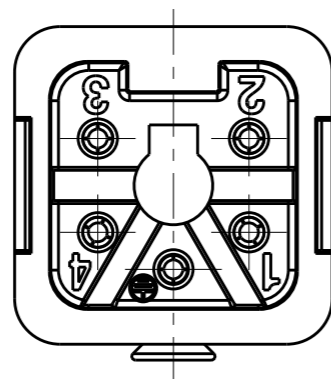
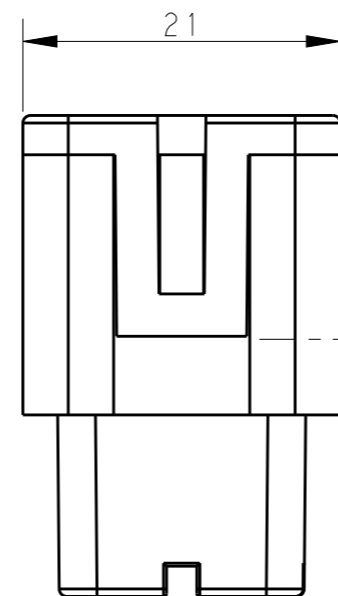
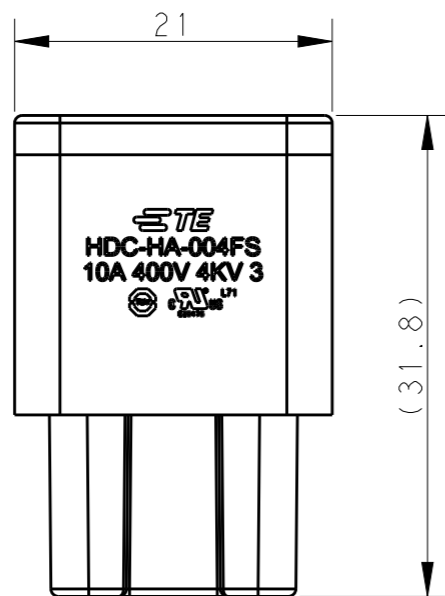
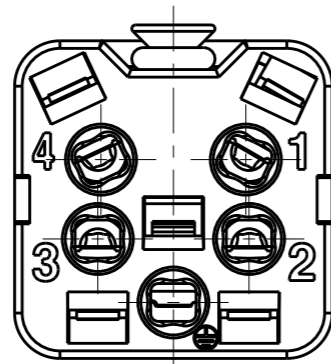
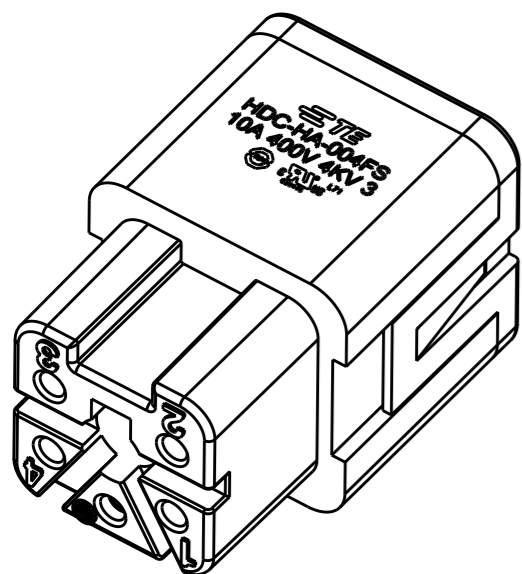


REVISIONS

P	LTR	DESCRIPTION	DATE	DWN	APVD
	A	INITIAL RELEASE	18DEC2014	DW	CW
	B	ECR-15-013750	21SEP2015	DW	CW
	B1	ECR-15-016224	05NOV2015	DW	CW



NOTES:

- TECHNICAL CHARACTERISTICS:
 - INSULATION MATERIAL: PC
 - RATED VOLTAGE: 400 V
 - RATED CURRENT: 10 A
 - INSULATION RESISTANCE: $\geq 400M\Omega$
 - RATED IMPULSE VOLTAGE: 4 KV
 - POLLUTION DEGREE: 3
 - FLAMMABILITY: UL94V-0
 - MATING CYCLES: 500 CYCLES
 - OPERATION TEMPERATURE: $-40-+125^{\circ}C$
 - WIRE RANGE: 0.5-2.5 mm² (20-14 AWG)
 - CONTACT FINISH: SILVER PLATED
 - CONTACT TYPE: SPRING CONTACT

注释:

- 技术参数:
 - 绝缘材料: PC
 - 额定电压: 400V
 - 额定电流: 10A
 - 绝缘电阻: $\geq 400M\Omega$
 - 额定脉冲电压: 4 KV
 - 污染等级: 3
 - 阻燃等级: UL94V-0
 - 插拔次数: 500 次
 - 工作温度: $-40-+125^{\circ}C$
 - 接线范围: 0.5-2.5 mm² (20-14 AWG)
 - 端子表面处理: 镀银
 - 接线类型: 弹片压接

THIS DRAWING IS A CONTROLLED DOCUMENT.

DIMENSIONS: mm	
MATERIAL -	

TOLERANCES UNLESS OTHERWISE SPECIFIED:	
0 PLC	±-
1 PLC	±-
2 PLC	±-
3 PLC	±-
4 PLC	±-
ANGLES	±-
FINISH	-

DWN	DAVID WANG	18DEC2014
CHK	CHRIS WANG	18DEC2014
APVD	XU XIANG	18DEC2014
PRODUCT SPEC	108-137045	
APPLICATION SPEC	114-137045	
WEIGHT	-	
Customer Drawing		



NAME		HA-004-FS	
SIZE	CAGE CODE	DRAWING NO	RESTRICTED TO
A3	00779	CT2010043201000	-
SCALE		SHEET	REV
2:1		1 OF 1	B1