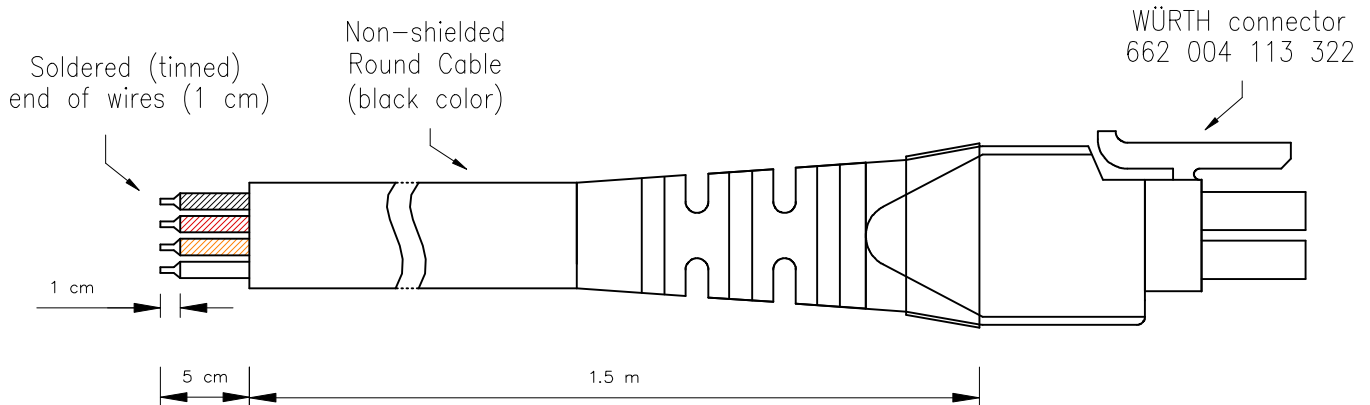
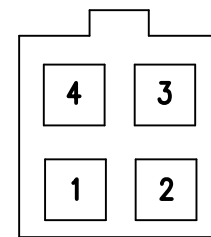


BB-KN-MO4-1.5 cable

1.5 m BLACK cable with soldered (tinned) end of wires



	1	BLACK	GND(-)
	2	RED	VCC(+)
	3	ORANGE	Binary input
	4	WHITE	Binary output



USED COMPONENTS:

4x WÜRTH pins 662 001 137 22 DEC (3.00 mm Female Terminal)

1x WÜRTH connector 662 004 113 322

(3.00 mm Female Dual Row Receptacle WR-MPC3)

1x Cable 4x1 COND, 22 (7/30) AWG, jacket 5 mm, 1.5 m long

Industry Approvals:

UL 75 °C

CSA International

REACH Regulation (EC 1907/2006)

EU Directive 2002/95/EC (RoHS)

Temperature Range -40 °C to 75 °C

Voltage Rating 300 V_{RMS}

Connector pin-out
View into Router
(rear view of cable connector)

PACKAGE:

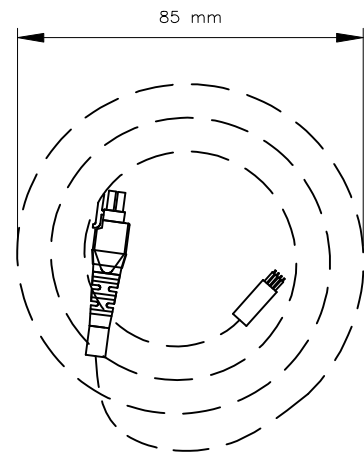
The outer diameter must not exceed 85 mm.


Height must not exceed 15 mm.

The cable is needed to tie using 1-2 wires.

Connectors are placed inside.

The cable is wrapped in a plastic bag of a maximum size 90x90 mm



4										
3										
2	Renamed, changed colors	J. Svoboda	3.10.2016	V. Peterka	3.10.2016	P. Hanuš	3.10.2016			
1	Added information about package	P. Hanuš	12.5.2016	E. Doskočil	12.5.2016	P. Kopecký	12.5.2016			
0	VÝCHOZÍ DOKUMENT	P. Hanuš	13.2.2016	E. Doskočil	13.2.2016	P. Kopecký	13.2.2016			
Rev.	Description of changes	Drawn	Date	Signature	Checked	Date	Signature	Approved	Date	Signature
Length unit: mm		Assembly drawing:			 <p>Conel s.r.o., Sokolská 71 562 04 Ústí n. Orlicí III tel./fax: 465 521 020, 021 mobile-exchange: 603 872 287 E-mail: info@conel.cz http://www.conel.cz/</p>					
Accuracy:		Old drawing:								
Tolerance:		Commission:								
Scale:	Format: A4	File: VKA-2016-01-1.dwg								
Drawing name: KN-v3L-WR-MPC3 cable					Drawing number: VKA-2016-01-1			Sheet: 1		Issue No.:
								Num. of sheets: 2		
This document is know-how of the CONEL Ltd company Usti n/O. It may not be handed over to third person or abuse without permit.										