

**ebm-papst St. Georgen GmbH & Co. KG**

Hermann-Papst-Str. 1
 D-78112 St. Georgen
 Phone +49 (0) 7724 81-0
 Fax +49 (0) 7724 81-1309
 info2@de.ebmpapst.com
 www.ebmpapst.com

Nominal data

Type	AC 100 MR	
Nominal voltage range	VDC	85 .. 265
Frequency	Hz	50/60
Power consumption	W	3.8
Min. ambient temperature	°C	-10
Max. ambient temperature	°C	55
Air flow	m ³ /h	55 - 90
Sound power level	B	4.5 - 5.0
Sound pressure level	dB(A)	33-40

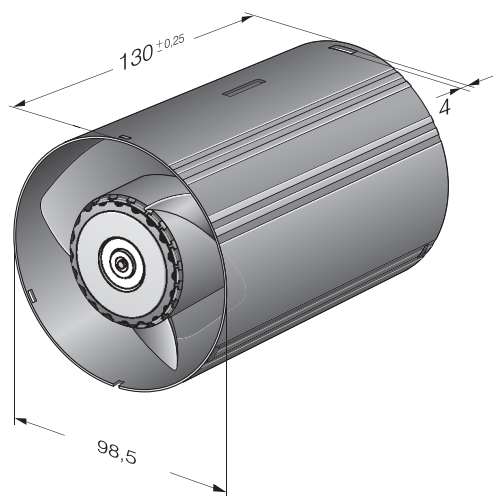
ml = Max. load · me = Max. efficiency · fa = Free air · cs = Customer specification · ce = Customer equipment
 Subject to change



Technical description

Weight	0.40 kg
Dimensions	98.50 x 130 mm
Airflow direction	Intake over struts
Direction of rotation	Clockwise, viewed toward rotor
Service life L10 at 40 °C	70000 h
Service life L10 at maximum temperature	50000 h
Cable	Via 3-pin Europa terminal strip, max. 1.5 mm

Product drawing



Curves

