

## SPECIFICATION

- Part No. : **TI.10.0112**
- Product Name : 433MHz ISM Band Terminal Antenna  
Omni-directional, with a peak gain of 0dBi
- Features : SMA(M)RA Plug Connector  
Low Profile and Robust Handling  
44.8mm Antenna Length  
IP65  
RoHS Compliant
- Picture :



## 1. Introduction

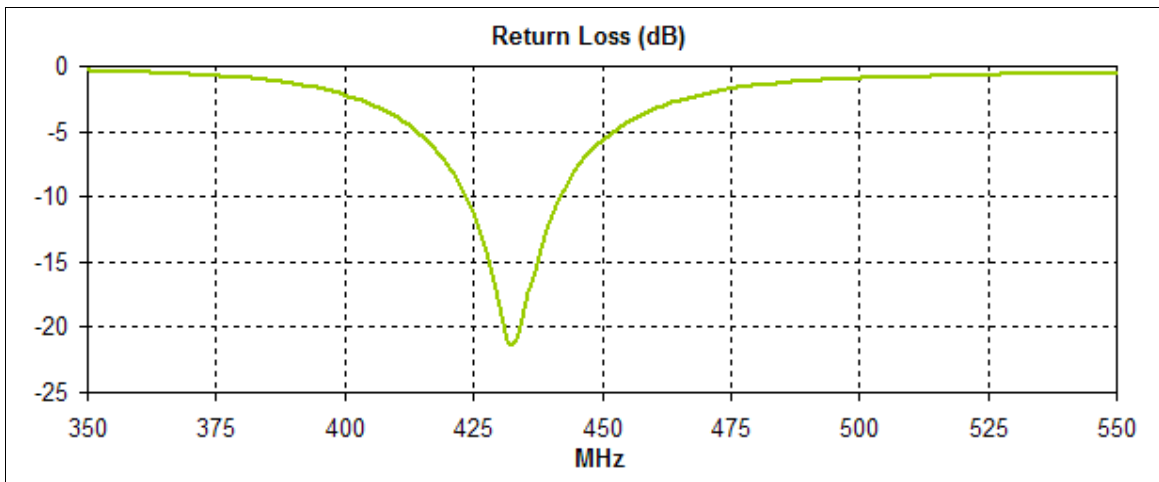
The TI.10 series are high performance 433MHz omni-directional antennas. The TI.10 terminal SMA R/A plug mount antenna is ideal for mobile small form factor applications. At only 44.8mm in length Omni-directional with a peak gain 0dBi ensures constant reception and transmission. The antenna structure is designed for robust handling and the housing is made with TPE giving reliable performance in tough environments.

## 2. Key Antenna Performance Indicators

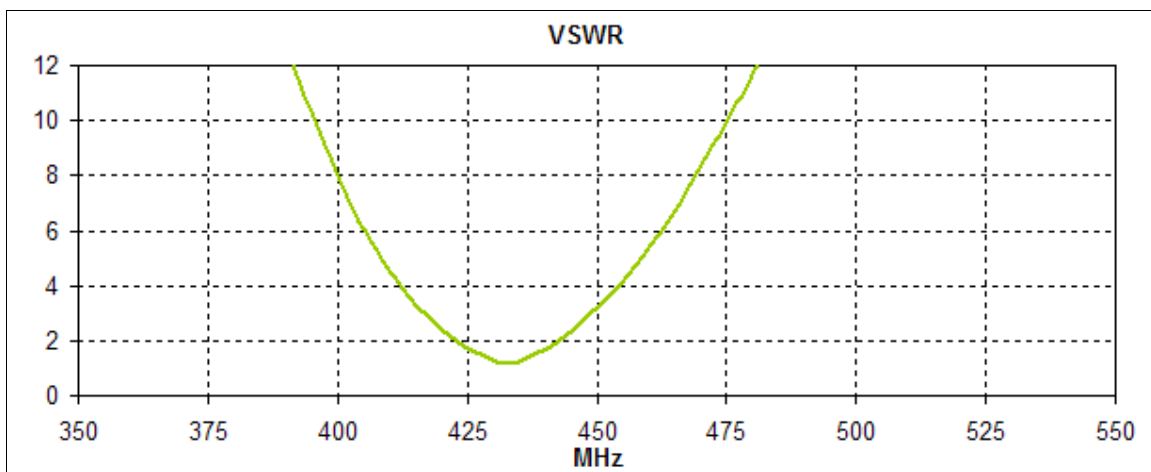
Parameter	Specification
Applications	433MHz ISM Band
Frequency	433.05~434.79MHz
Peak Gain	0dBi
Return Loss	-20dB
Impedance	50 Ohms
Radiation Pattern	Omni-directional
Polarization	Linear
VSWR	≤1.5:1
Power handling	5 W
Housing	TPE
Connector	SMA(M)RA Plug
Operation Temperature	-40°C to + 85°C
Storage Temperature	-40°C to + 105°C
Relative Humidity	40% to 95%
Dimensions	Length: 44.8mm
Weight	8.5g

### 3. Antenna Parameters

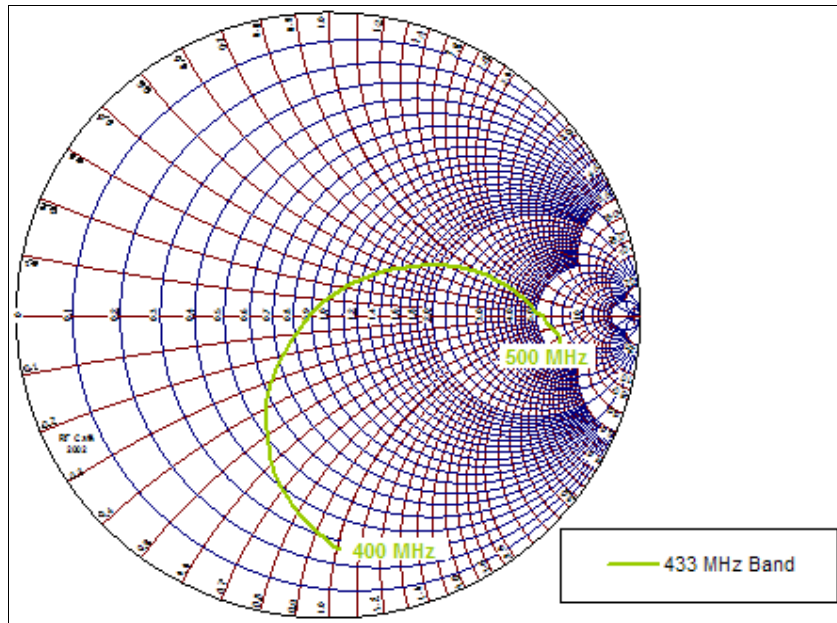
#### 3.1 Return Loss Data



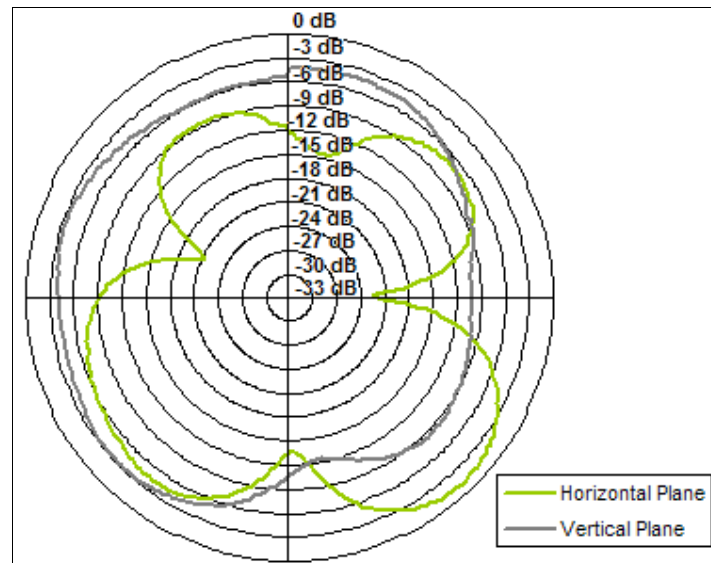
#### 3.2 VSWR Data



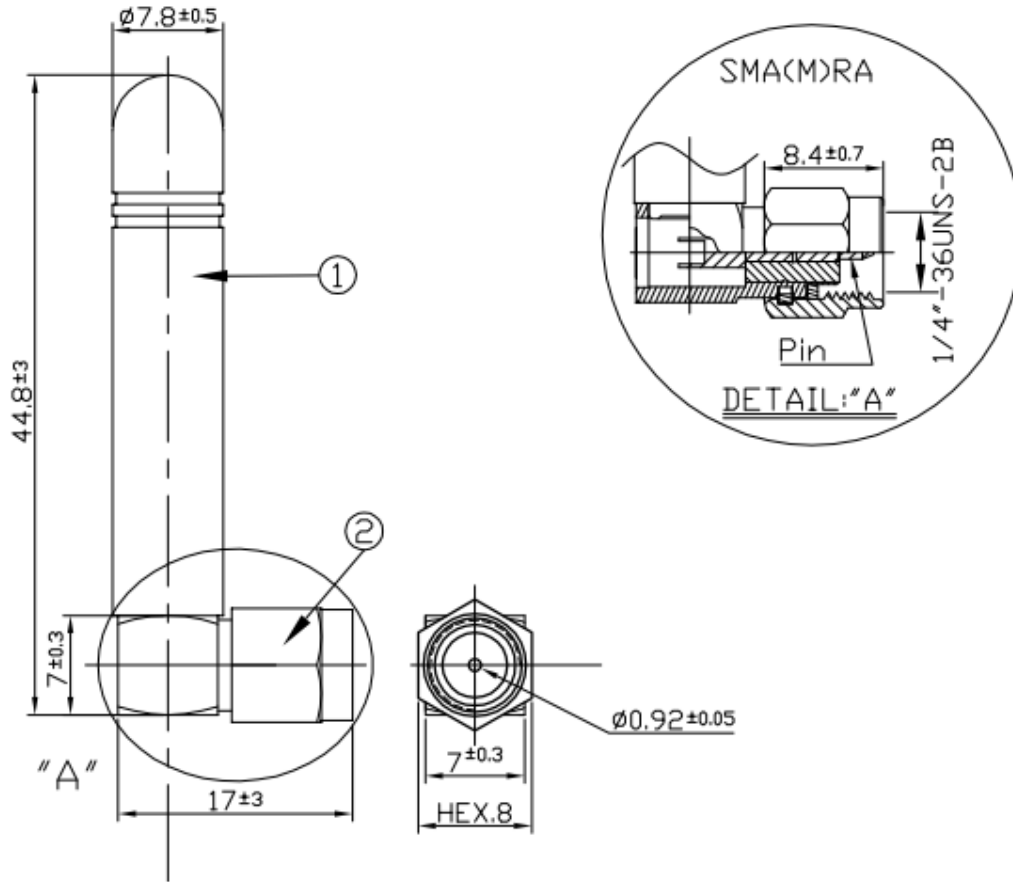
### 3.3 Smith Chart Data



### 3.4 Radiation Pattern



## 4. Mechanical Drawing



	Name	Material	Finish	Quantity
①	Antenna Cover	TPU	Black	1
②	SMA(M)RA	Brass	Gold	1