

Feature -

- water proof IP67 sealed
- full color LED illuminated available
- long electrical life cycles
- SMT and vertical PCB terminal

Application -

- consumer products
- computer products
- instrumentation
- communication equipments

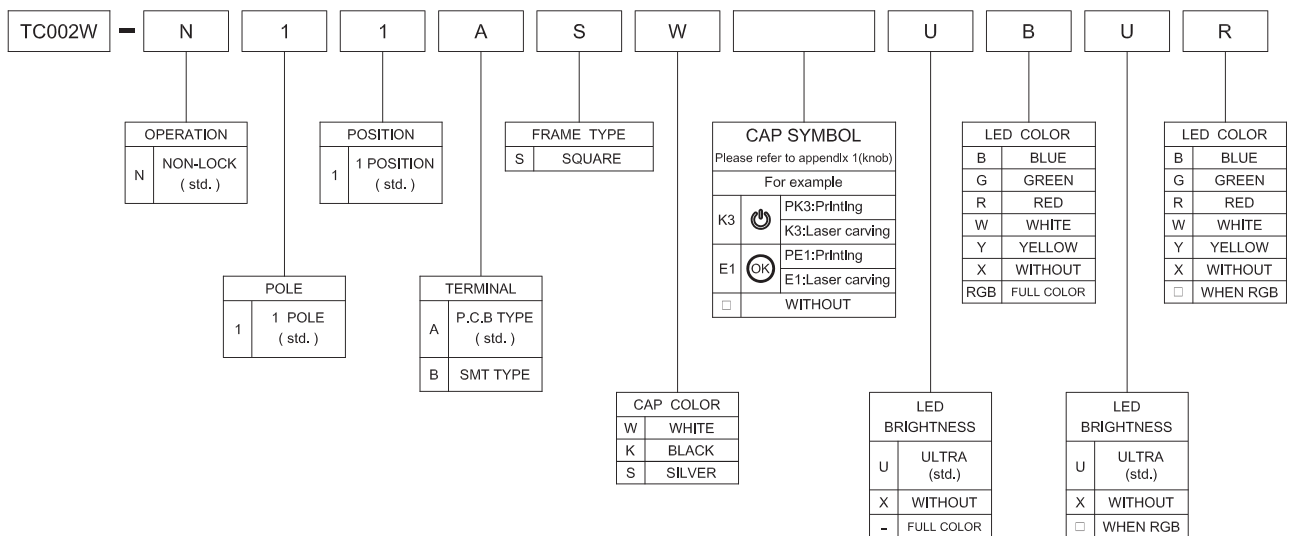
► **SPECIFICATIONS**

SWITCH SPECIFICATIONS	
POLE - POSITION	1P1T , with LED
CONTACT RATING	12 V DC , 50 mA
CONTACT RESISTANCE	100 mΩ MAX. 1.5 V DC ; 100 mA , by Method of Voltage DROP
INSULATION RESISTANCE	100 MΩ MIN. 500 V DC
DIELECTRIC STRENGTH	Breakdown is not Allowable ; 500 V AC for 1 Minute
OPERATING FORCE	300 ± 100 gf
OPERATING LIFE	500,000 cycles
OPERATING TEMPERATURE RANGE	-20°C ~ 70°C
TOTAL TRAVEL	0.2 ± 0.1 mm
SEALING	IP67

LED SPECIFICATIONS		Unit	Value / LED Color				
Symbol	Description		Blue	Green	Red	White	Yellow
			ATTENTION LEDs are Electrostatic Sensitive devices				
IF	FORWARD CURRENT	mA	10	20	20	2	20
VR	REVERSE VOLTAGE	V	5.0	5.0	5.0	5.0	5.0
IR	REVERSE CURRENT	µA	10	10	10	10	10
VF	FORWARD VOLTAGE	V	@ 10mA 3.0-4.0	2.1-2.5	2.0-2.5	@ 2mA 2.8-4.0	2.0-2.5
IV	LUMINOUS INTENSITY	mcd	@ 10mA 200	800	1800	@ 2mA 12	1800

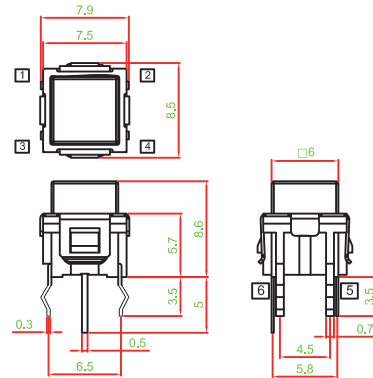
■ Physical and electrical information of LED will be provided upon customer's request on switches .

► **HOW TO ORDER**

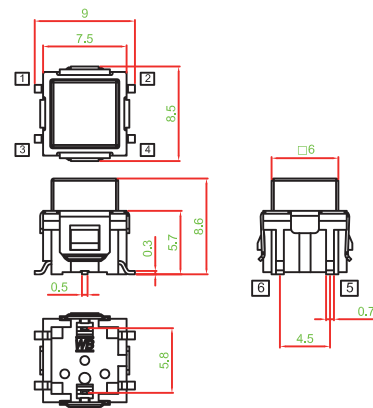
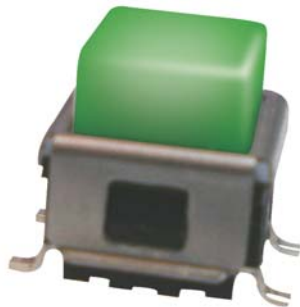


▶ P.C.B LAYOUT

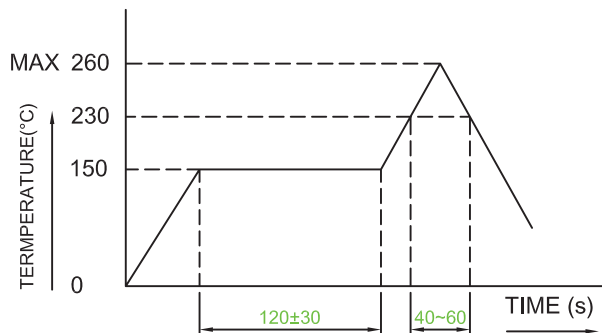
TC002W-N11ASW □□□□



TC002W-N11BSW □□□□



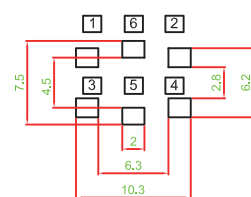
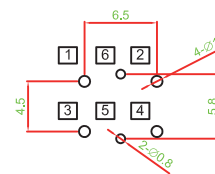
▶ REFLOW SOLDERING



▶ P.C.B LAYOUT

DIP TYPE

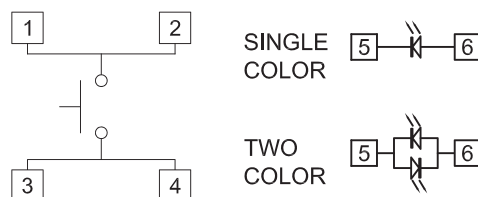
SMT TYPE



▶ MATERIAL

- COVER - SILICON
- ACTUATOR - PA
- BASE FRAME - PA
- COVER - SUS
- TERMINAL - BRASS SILVER PLATING

▶ CIRCUIT



	0	1	2	3	4	5	6	7	8	9	10	11	12	13	14	15	16	17	18	19	
A	0	1	2	3	4	5	6	7	8	9	10	11	12	13	14	15	16	17	18	19	
B	A	B	C	D	E	F	G	H	I	J	CH5	CH6	DISK	PIP	C-KEY	CUT	TAKE	REC	ENG	PROD	
C	K	L	M	N	O	P	Q	R	S	T	REPLAY	RET1	RET2	KEY ON	AUTO TAKE						
D	U	V	W	X	Y	Z	POWER	ON OFF	ON	OFF		USER A	USER B	USER C	USER D	USER E	USER F	USER G	USER H	USER I	
E	OK		Auto	Enter	Start	STOP	OPEN	CLOSE	Exit	Move	USER J								M-1		
F	SET	Reset	Light	Alarm	Menu	Next	Back	Delete	Motor	Save											
G	Up	Down	Right	Left	Test	End	Insert	Lock	Print	+/-											
H	ESC	BC.	HOME	Health	D-LED 2	OC GENIE	VIDEO INPUT	clr CMOS	Green Power	Save OK											
I	B/R	Undo Cancel	T/L	F1	F2	F3	F4	F5	F6	F7											
J	F8	F9	F10	F11	F12	F13	F14	IN 1	IN 2	IN 3											
K	IN 4	IN 5	IN 6																		
L	+	-	x	+	=	↑	→														
M							↑	→	↑	→											
N	↑	→	↑	←	▲	▶	◀	▶	◀	▶											
O			↔	◊	◊																
P				x	✓		Config.	TIME LINE	ME1	ME2											
Q	ME3	ME4	BGND 3D DVE1	BGND 3D DVE2	BUS COLOR	ME BUTTON LINK	*	INSERT	WIPE												
R	⏮	ALL		VP		COPY		RECORD MODE	↑												
S		♥	MUTE		Multi iOS																
T		hold	group	end	end	end	end	end	end	end											
U	end	end	chair	amb	amb	amb	amb	amb	amb	amb											
V	end	end	OC			CLEAR	CROSS WIND	AMMO TEMP	BARO PRESS	AIR TEMP											
W	BORE-SIGHT	CANT	LEAD	RANGE	MRS	ZERO	TEST	UD	LR												
X	ID	Dlep	M/F	GALL	.	BAND	SETUP	MODE	LINK	FUNC.											
Y	SHIFT					DEL															
Z				RUN	2D	3D	CH1	CH2	CH3	CH4											