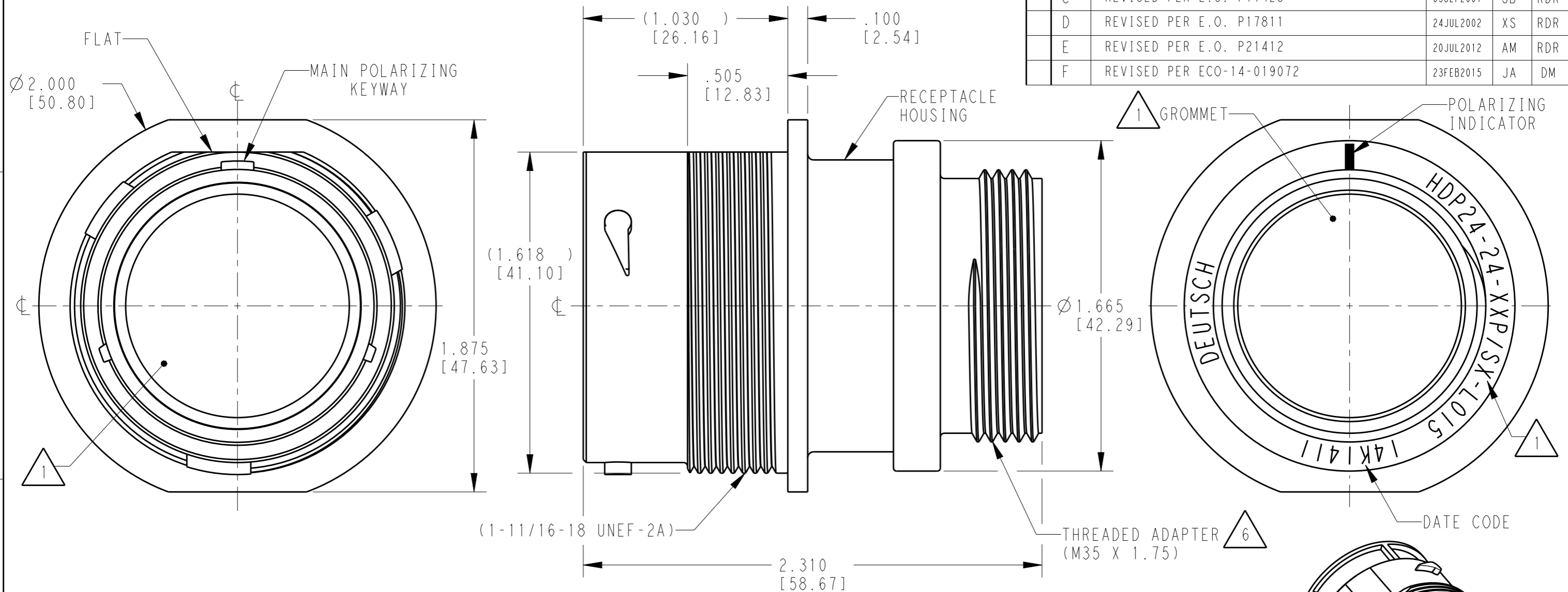
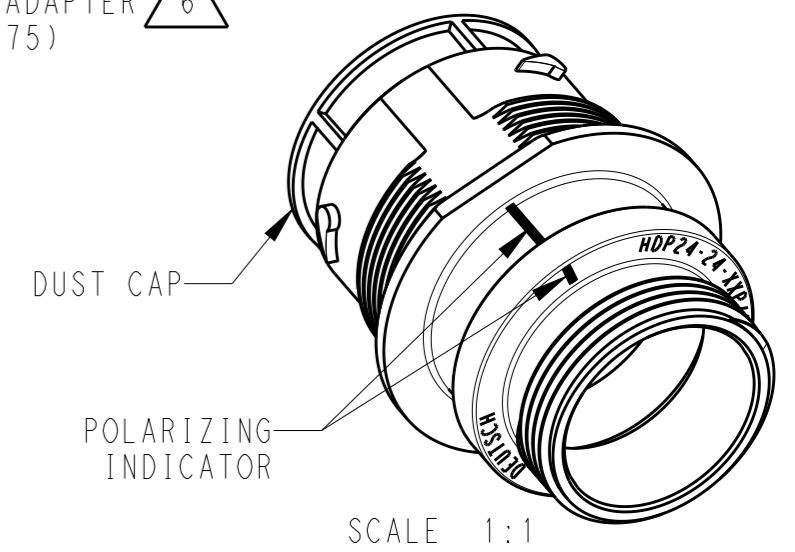


LOC	DIST	REVISIONS			
P	LTR	DESCRIPTION	DATE	DWN	APVD
	C	REVISED PER E.O. P17423	05SEP2001	SB	RDR
	D	REVISED PER E.O. P17811	24JUL2002	XS	RDR
	E	REVISED PER E.O. P21412	20JUL2012	AM	RDR
	F	REVISED PER ECO-14-019072	23FEB2015	JA	DM



- 5. RECEPTACLE IS SUPPLIED WITH DUST CAP (2415-001-2405).
- 4 MATERIAL: RECEPTACLE HOUSING: PA66 GF10 (BLACK)
 CONDUIT ADAPTER: PA66 GF10 (GREEN, GRAY, BLUE)
 GROMMET: SILICONE (ORANGE-RED)
- 3 SEE 0425-021-0000 APPLICATION SPECIFICATION
 A. RECOMMENDED WIRE INSULATION RANGE
 B. CONTACT REMOVAL TOOLS
 C. RECOMMENDED MOUNTING HOLE & PANEL THICKNESS
 D. MOUNTING HARDWARE & MOUNTING TORQUE.

- 7. PART MODIFICATION: THREADED ADAPTER
- 6 CONDUIT ADAPTER ACCEPTS EITHER TYPES:
 A. CONDUIT ADAPTER CAP NUT (CN21) AND SEAL RING (SRN21)
 B. BACKSHELL (M902-2243)
 COMPRESSION NUT (M902-2053)
 CABLE $\phi .430-.570$ [10.92-14.78]
 C. BACKSHELL (M902-2244)
 COMPRESSION NUT (M902-2054)
 CABLE $\phi .570-710$ [14.78-18.03]



2. THIS RECEPTACLE MATES WITH HDP26-24-XXP/SX-XXXX PLUG
 X = SEAL TYPE (N,T,E)
 XX = INSERT ARRANGEMENT
 XXXX = MODIFICATION

1 SEE CUSTOMER DRAWING, 0425-014-2400 FOR AVAILABLE INSERT ARRANGEMENTS AND PART NUMBERS.

NOTES:

THIS DRAWING IS A CONTROLLED DOCUMENT.		DWN	04SEP1997	 TE Connectivity	NAME RECEPTACLE, THREADED SIZE 24, -L015 MOD HDP SERIES
DIMENSIONS: INCHES [mm]		CHK	19JUL2002		
TOLERANCES UNLESS OTHERWISE SPECIFIED:		APVD	23JUL2002	PRODUCT SPEC 0425-021-0000	SIZE A3
0 PLC ± 1 PLC ± 2 PLC ± 3 PLC ±.015 [0.38] 4 PLC ± ANGLES ±0°30'0"		APVD	STEVE BEARD		
MATERIAL	FINISH	APPLICATION SPEC 3		DRAWING NO HDP24-24-XXP/SX-L015	RESTRICTED TO -
4	N/A	WEIGHT Customer Drawing		SCALE 2:1	SHEET 1 OF 1 REV F