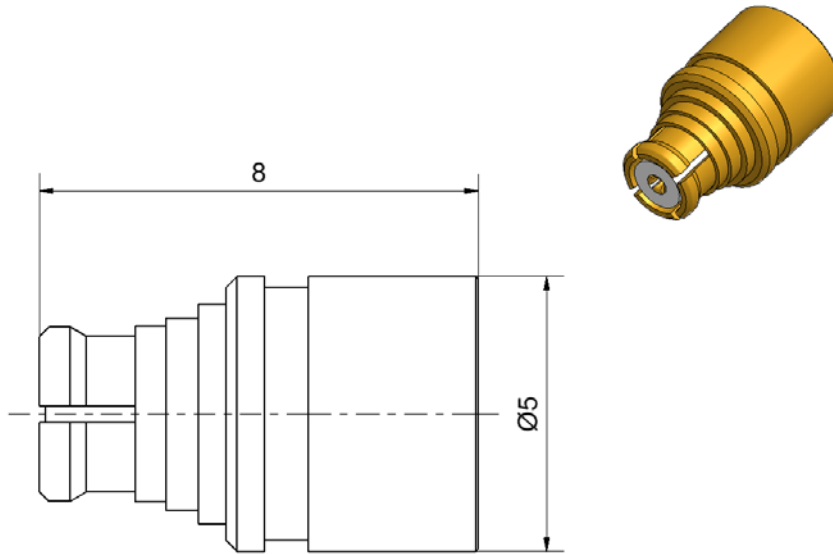


SMP

Termination
Jack 1 Watt

19K15R-001E4



All dimensions are in mm; tolerances according to ISO 2768 m-H

Interface

According to

MIL-STD-348A, Fig.326

Documents

N/A

Material and plating

Connector parts

- Center contact
- Outer contact
- Dielectric
- Substrate
- Insulator

Material

- CuBe
- CuBe
- PTFE
- Al₂O₃
- Silicone

Plating

- Gold, min. 0.8 µm, over nickel
- Gold, min. 0.8 µm, over nickel

Dieses Dokument ist urheberrechtlich geschützt • This document is protected by copyright • Rosenberger Hochfrequenztechnik GmbH & Co. KG

RF_35/05.10/6.0

Technical Data Sheet**Rosenberger****SMP****Termination
Jack 1 Watt****19K15R-001E4****Electrical data**

Impedance	50 Ω
Frequency range	DC to 18 GHz
Return loss	≥ 28.3 dB, DC to 1 GHz
	≥ 20.1 dB, 1 GHz to 18 GHz
Power handling	≤ 1.0 W

Mechanical data

Mating cycles	
- smooth bore	≥ 1000
- limited detent	≥ 500
- full detent	≥ 100
Engagement force	
- smooth bore	9 N max.
- limited detent	45 N max.
- full detent	68 N max.
Disengagement force	
- smooth bore	2.2 N min.
- limited detent	9 N min.
- full detent	22 N min.

Environmental data

Operating temperature range ¹	0 °C to +125 °C
Storage temperature range	-55 °C to +155 °C
RoHS	compliant

¹ Temperature range over which these specifications are valid.**Packing**

Standard	100 pcs in blister
Weight	0.5 g/pce

While the information has been carefully compiled to the best of our knowledge, nothing is intended as representation or warranty on our part and no statement herein shall be construed as recommendation to infringe existing patents. In the effort to improve our products, we reserve the right to make changes judged to be necessary.

Draft	Date	Approved	Date	Rev.	Engineering change number	Name	Date
Kerstin Herzog	26/08/04	Lars Ramtke	29/09/14	d00	14-1401	Marion Striegler	29/09/14
Rosenberger Hochfrequenztechnik GmbH & Co. KG P.O.Box 1260 D-84526 Tittmoning Germany www.rosenberger.de				Tel. : +49 8684 18-0 Fax : +49 8684 18-1499 Email : info@rosenberger.de			Page 2 / 2