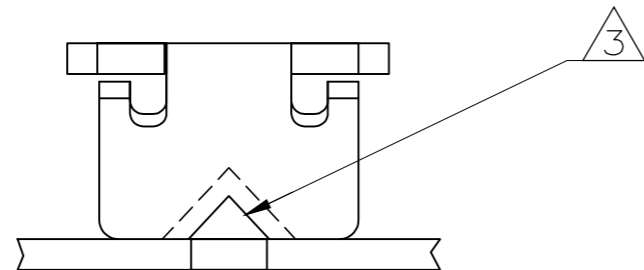
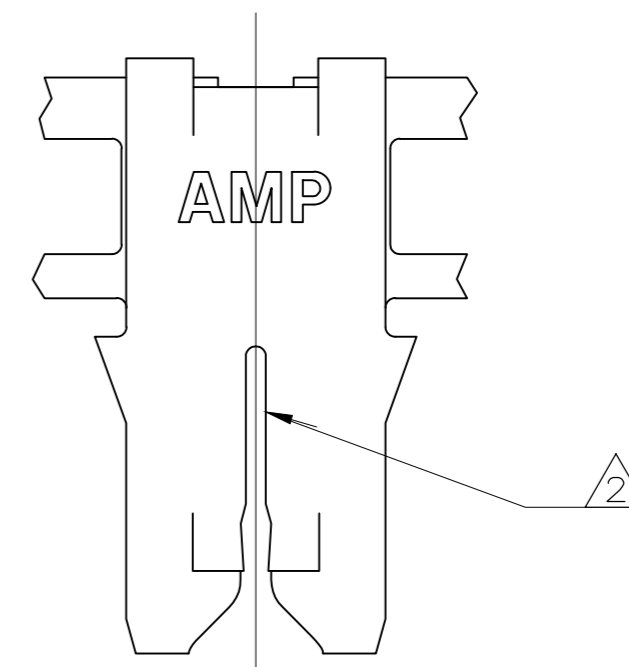
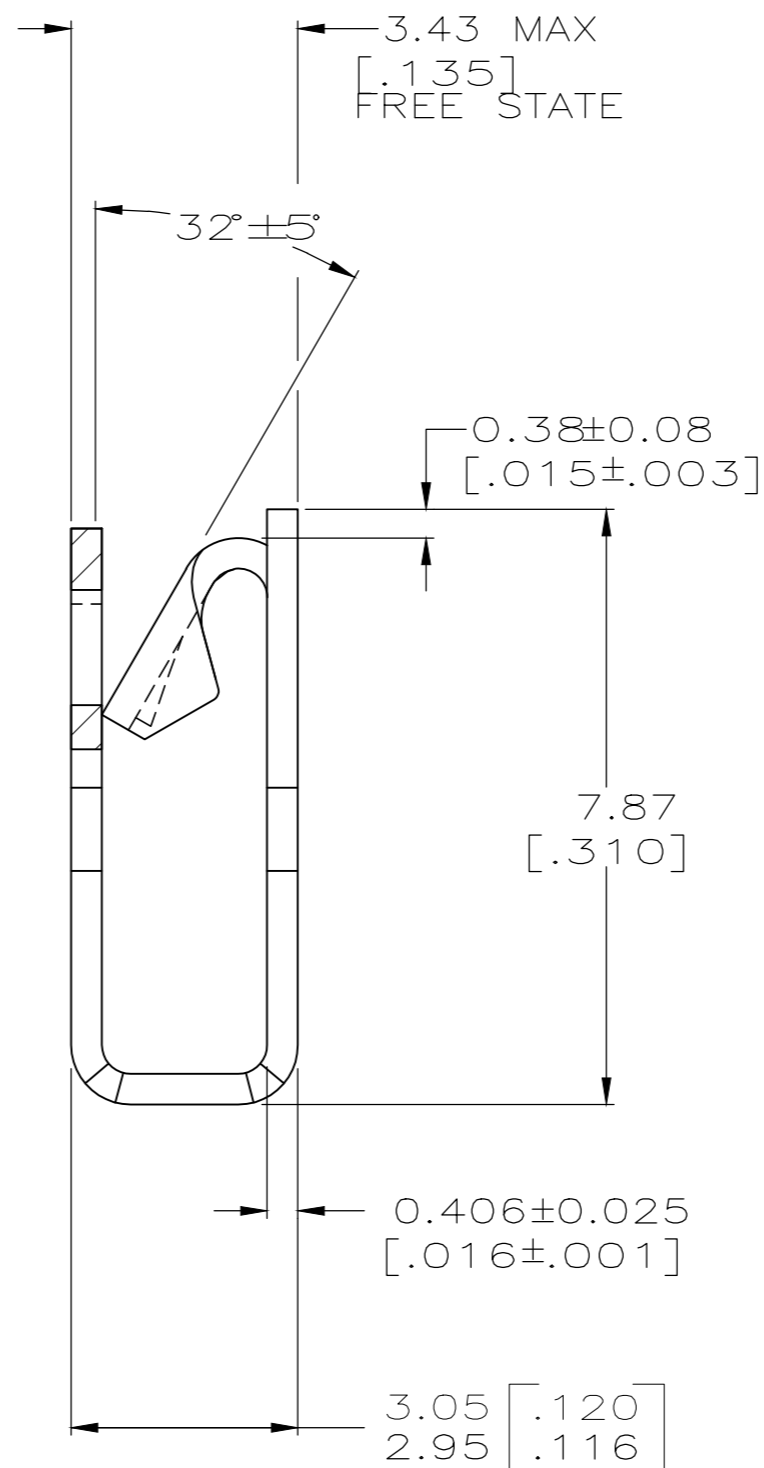
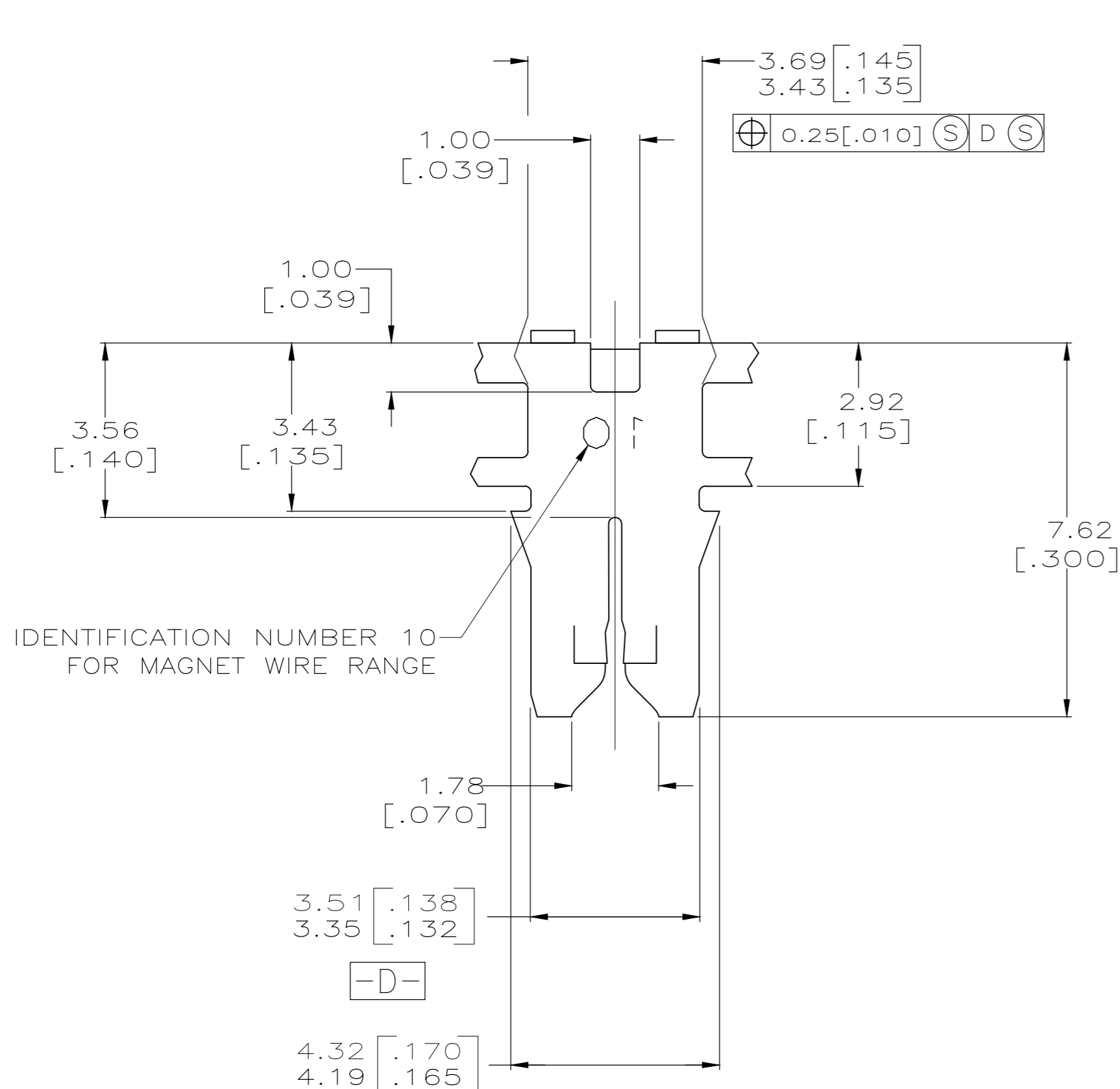


THIS DRAWING IS UNPUBLISHED. RELEASED FOR PUBLICATION .19
 BY AMP INCORPORATED. ALL RIGHTS RESERVED.

| LOC | | DIST | | REVISIONS | | | |
|-----|-----|-------------|--|---------------------------|-----------|------|----|
| P | LTR | DESCRIPTION | | DATE | DWN | APVD | |
| | | B1 | | REVISED PER ECR-18-006427 | 15MAY2018 | BW | SV |



- 1 CONTINUOUS STRIP ON REELS WITH TERMINALS LOCATED ON 5.59±0.08 [.220±.003] CENTERS.
- 2 SLOT ACCEPTS 0.36-0.57mm [#27-#23] AWG COPPER MAGNET WIRE. A SINGLE WIRE ONLY.
ALUMINIUM RANGE IS 0.51-0.64mm [#24-#22] AWG ALUMINIUM WIRE RANGE IS APPLICABLE FOR POST TIN PLATED PART NOS ONLY.
- 3 POKE-IN ACCEPTS A 0.50-0.90mm² [#20-#18] AWG SOLID OR FUSED STRANDED LEAD WIRE.



| | |
|---------------|-------------|
| WITHOUT PAPER | 1217182-1 |
| REELING | PART NUMBER |

| | | | | |
|--|----------|------------------|-------------------|--|
| THIS DRAWING IS A CONTROLLED DOCUMENT. | | DWN | 26JUL1999 | STE TE CONNECTIVITY |
| DIMENSIONS: mm [INCHES] | | CHK | 26JUL1999 | |
| TOLERANCES UNLESS OTHERWISE SPECIFIED: | | APVD | 26JUL1999 | |
| 0 PLC ±- | | NAME | KURT A. RANDOLPH | |
| 1 PLC ±- | | PRODUCT SPEC | 108-2012 | TERMINAL, POKE-IN, 300 SERIES MAG-MATE™ |
| 2 PLC ±0.25[.010] | | APPLICATION SPEC | 114-2046 | |
| 3 PLC ±- | | SIZE | A2 | CAGE CODE 00779 |
| 4 PLC ±- | | DRAWING NO | 1217182 | |
| ANGLES ±- | | RESTRICTED TO | | |
| MATERIAL | 4M BRASS | FINISH | 0.002032[.000080] | MIN TIN PLATE |
| WEIGHT | | - | | SCALE 10:1 |
| CUSTOMER DRAWING | | SHEET 1 OF 1 | | REV B1 |

1217182