



PART
NAME

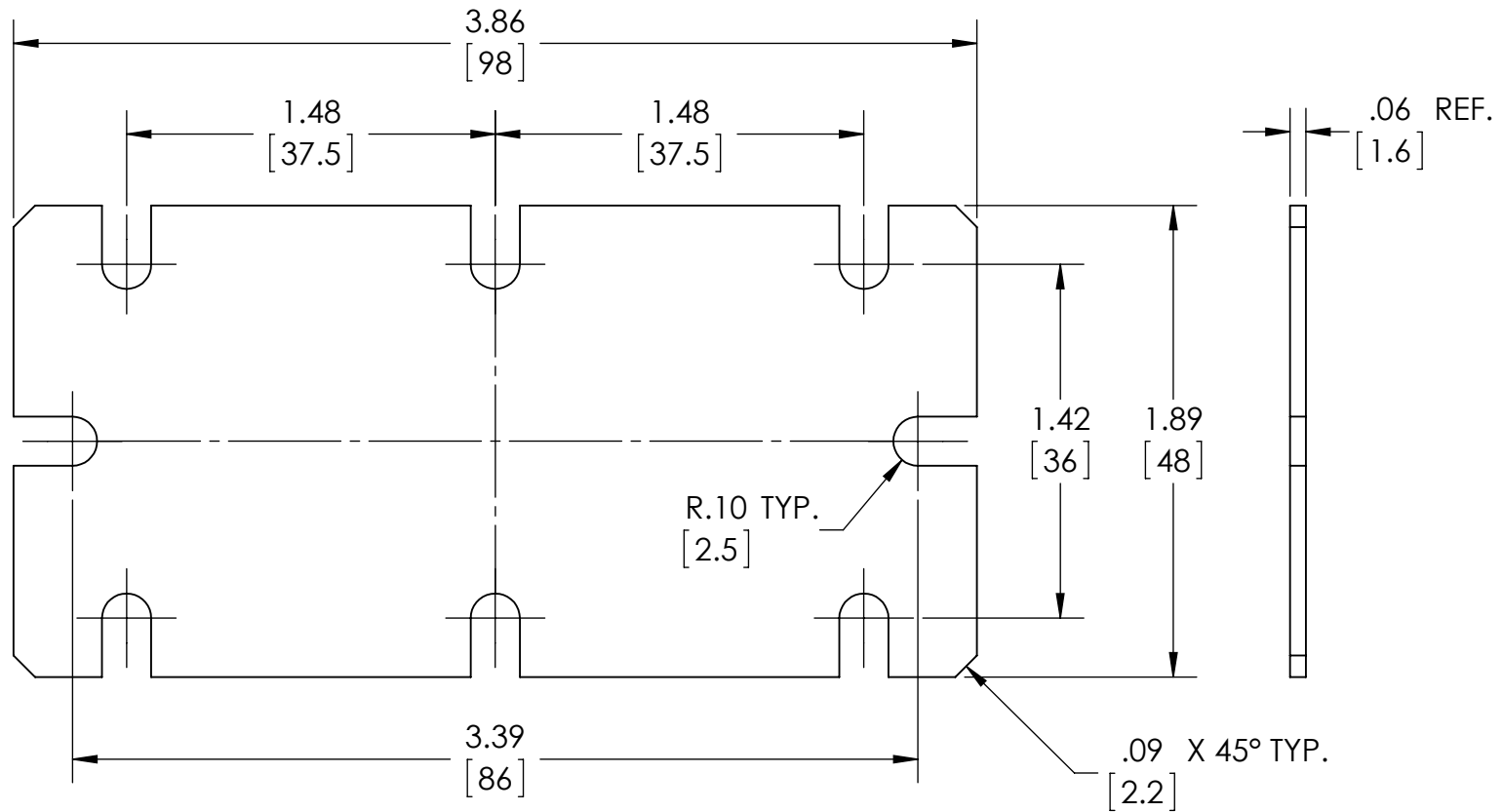
INTERNAL PANEL

PART
No.

PIX-11760

REV.
DATE

5-5-14



MATERIAL - 16 GA. [1.6mm] STEEL

FINISH - ZINC PLATED

DIMENSIONS IN INCH[MM]

TOLERANCE: $\pm .04$ [± 1]

WILL FIT ENCLOSURES:
PIP-11760, PIP-11760-C
PIP-11763, PIP-11763-C