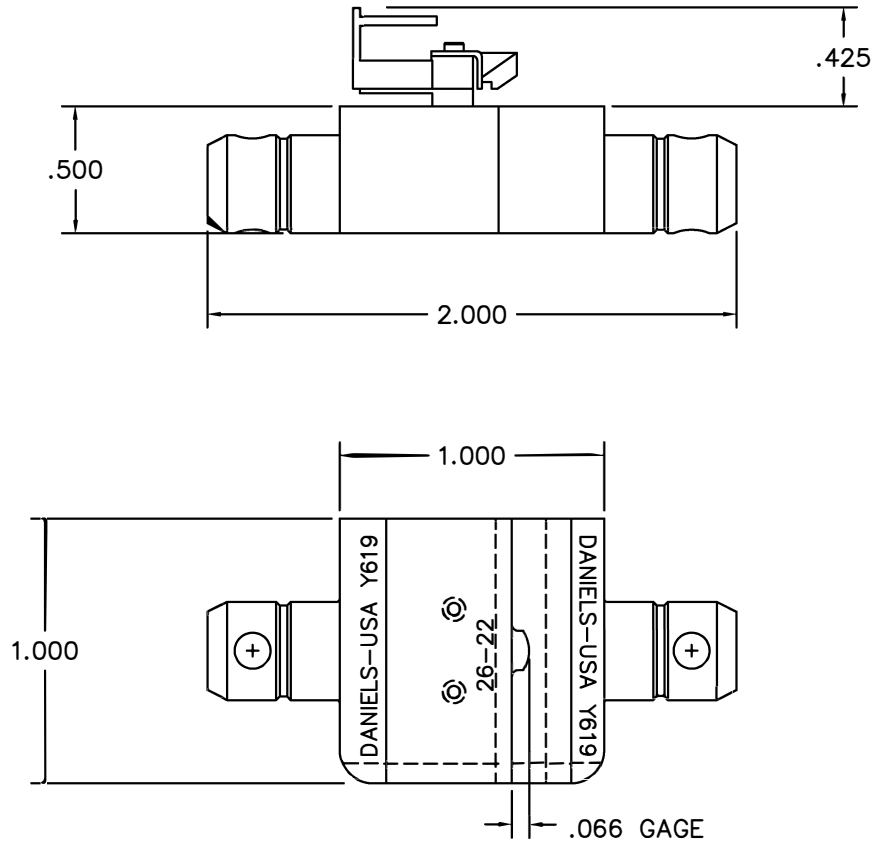



REVISIONS				
REV. SYM.	E.C.O. NUMBER	DESCRIPTION	BY DATE	APP'D DATE
2		ADDED NOTE 1	JWJ 3/15/07	RRR 3/15/07



**UNCONTROLLED DOCUMENT
WILL NOT BE UPDATED**

1. FUNCTIONAL EQUIVALENT TO TYCO 69344.

NOTES:

RESTRICTED & CONFIDENTIAL CONFIDENTIAL PROPERTY OF DANIELS MANUFACTURING CORP. NOT TO BE DISCLOSED TO OTHERS, REPRODUCED OR USED FOR ANY OTHER PURPOSE, EXCEPT AS AUTHORIZED IN WRITING BY DANIELS MANUFACTURING. MUST BE RETURNED TO DANIELS MANUFACTURING CORP. ON COMPLETION OF ORDER OR OTHER PURPOSE FOR WHICH LENT.	MATERIAL	ITEM	PART NO.	QTY.	DESCRIPTION/REMARKS			
	HEAT TREAT	DRN.	J. JOYCE	DATE 4/21/00	 DANIELS MANUFACTURING CORP. ORLANDO, FLORIDA CAGE 11851			
		CHK'D.	RRR	DATE 4/21/00				
	FINISH	APP'D.		DATE		TITLE		
APP'D.			DATE	DIE SET ENVELOPE DRAWING				
DO NOT SCALE DRAWING	NOTE: THIS DRAWING IS AN OUTLINE DRAWING OF THE RESPECTIVE DMC PART NUMBER INDICATED. ACTUAL DMC PART NUMBER IS DRAWING NUMBER WITHOUT THE *-ENV* SUFFIX.	WHERE USED:		SIZE	SCALE	CAD P/N	SHEET	OF
		B	NTS	Y619-ENV	1	1		
		POSTING	DWG. NO.	Y619-ENV	REV.	2		