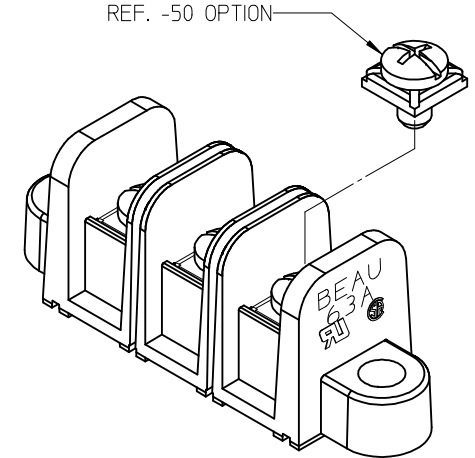
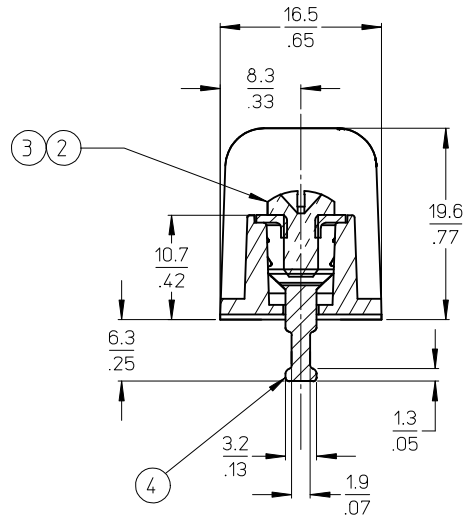
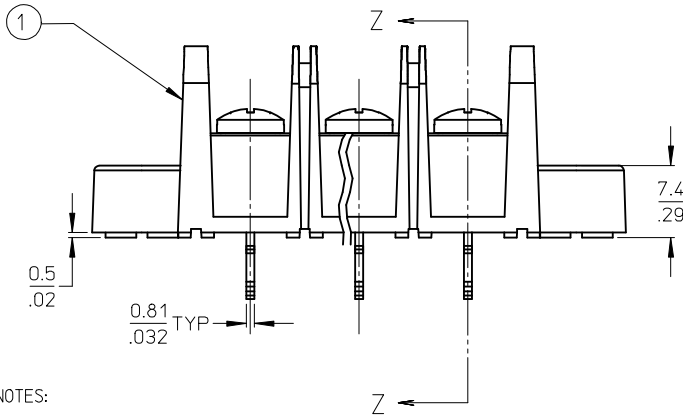


MATERIAL NUMBER (STD.)	MATERIAL NUMBER (-50)	NO. OF CIRCUITS	A	B	C	D
386309402	386310602	2	43.4 (1.71)	11.13 (4.38)	25.9 (1.02)	33.3 (1.31)
386309403	386310603	3	54.6 (2.15)	22.22 (.875)	37.1 (1.46)	44.5 (1.75)
386309404	386310604	4	65.7 (2.59)	33.35 (1.313)	48.3 (1.90)	55.6 (2.19)
386309405	386310605	5	76.7 (3.02)	44.45 (1.750)	59.2 (2.33)	66.5 (2.62)
386309406	386310606	6	87.9 (3.46)	55.57 (2.188)	70.4 (2.77)	77.7 (3.06)
386309407	386310607	7	99.1 (3.90)	66.67 (2.625)	81.5 (3.21)	88.9 (3.50)
386309408	386310608	8	110.2 (4.34)	77.80 (3.063)	92.7 (3.65)	100.0 (3.94)
386309409	386310609	9	121.2 (4.77)	88.90 (3.500)	103.6 (4.08)	111.0 (4.37)
386309410	386310610	10	132.3 (5.21)	100.03 (3.938)	114.8 (4.52)	122.2 (4.81)
386309411	386310611	11	143.5 (5.65)	111.13 (4.375)	125.9 (4.96)	133.4 (5.25)
386309412	386310612	12	154.7 (6.09)	122.25 (4.813)	137.2 (5.40)	144.5 (5.69)
386309413	386310613	13	165.6 (6.52)	133.35 (5.250)	148.1 (5.83)	155.4 (6.12)
386309414	386310614	14	176.8 (6.96)	144.45 (5.687)	159.3 (6.27)	166.6 (6.56)
386309415	386310615	15	188.0 (7.40)	155.58 (6.125)	170.4 (6.71)	177.8 (7.00)
386309416	386310616	16	199.1 (7.84)	166.70 (6.563)	181.6 (7.15)	189.0 (7.44)



- NOTES:
1. MATERIAL: SEE TABLE
  2. FINISHES: SEE TABLE
  3. PRODUCT SPECIFICATION: NOT REQUIRED
  4. PACKAGING: NOT REQUIRED
  5. MATES WITH: NONE
  6. \*XX\* REFERS TO QTY. OF CIRCUITS
  7. ROHS COMPLIANT (B)

ITEM	QTY.	DESCRIPTION	MATERIAL	FINISH
4	XX	TERMINAL, SOLDER TAIL, SHORT	BRASS	TIN PLATE
3	XX	SCREW/WSHR #6-32X.250 PAN, PH-SL (-50)	STEEL (B)	ZN, CLEAR CHROMATE
2	XX	SCREW #6-32X.250 BHD, PH-SL (STD.)	STEEL (B)	ZN, CLEAR CHROMATE
1	1	BARRIER TERMINAL STRIP	(B) POLYESTER (PBT)	BLACK

UPDATE MAT. DESCRIP.  
 EC NO: WNA2009-0085  
 DRWN: ENC INAS 2008/11/25  
 CHKD: CYORK 2008/12/15  
 APPR: JMACNE IL 2008/12/15

QUALITY SYMBOLS  
 ▽=0  
 ▽=0

GENERAL TOLERANCES (UNLESS SPECIFIED)

	mm	INCH
4 PLACES	± .005	± .0005
3 PLACES	± .01	± .001
2 PLACES	± 0.13	± .01
1 PLACE	± 0.3	± .01

ANGULAR ± 2°

DRAFT WHERE APPLICABLE MUST REMAIN WITHIN DIMENSIONS

DIMENSION STYLE  
**MM/IN**

DRAWN BY  
 R. STONE

CHECKED BY  
 R. KEMP

APPROVED BY  
 P. WALTZ

MATERIAL NO.  
**SEE CHART**

SCALE  
**2:1**

DESIGN UNITS  
**INCH**

THIRD ANGLE PROJECTION

TITLE  
**11.13/.438" BTS 600V SOLDER TAIL SHORT & MTG ENDS (63A6XX)**

**molex** MOLEX INCORPORATED

DOCUMENT NO.  
**SD-38630-009**

SHEET NO.  
**1 OF 1**

THIS DRAWING CONTAINS INFORMATION THAT IS PROPRIETARY TO MOLEX INCORPORATED AND SHOULD NOT BE USED WITHOUT WRITTEN PERMISSION