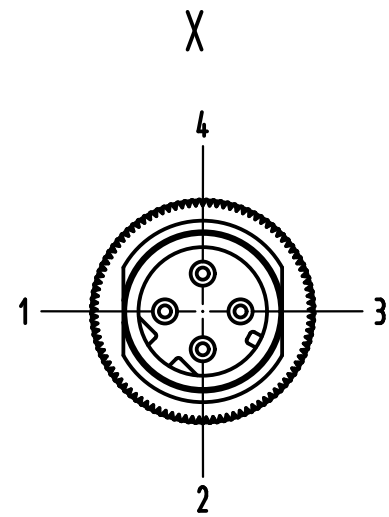
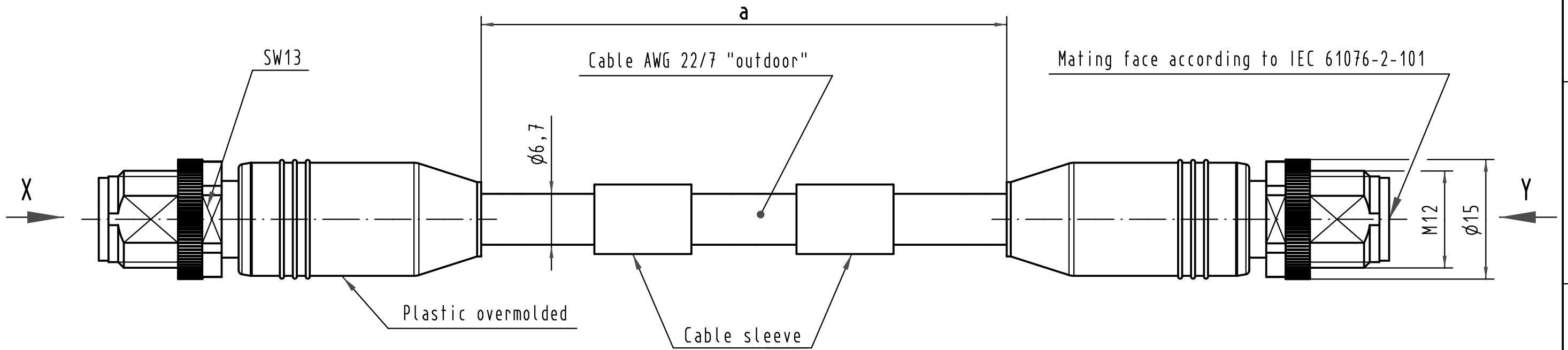
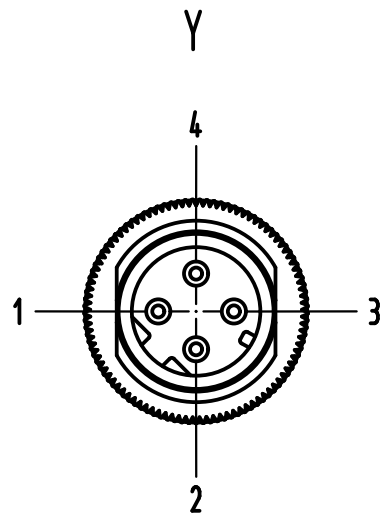
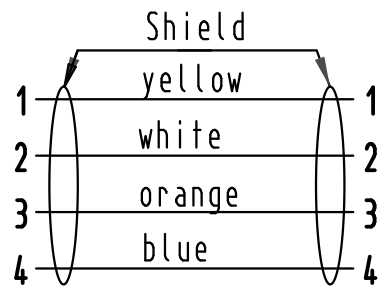


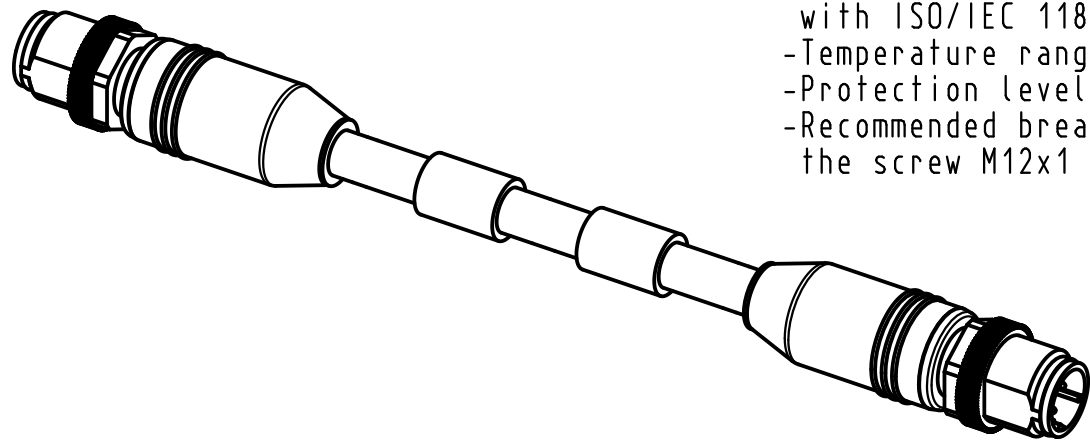
Alle Rechte vorbehalten/ All rights reserved



Loading-Plan:



-Transmission properties in accordance with ISO/IEC 11801:2002: Class D
 -Temperature range: -20°C ...+60°C
 -Protection level: IP67
 -Recommended breakaway torque for the screw M12x1 - 0,6Nm



11	09 47 22 22 023	AWG 22/7 outdoor PVC	25 m
10	09 47 22 22 022	AWG 22/7 outdoor PVC	7,5 m
9	09 47 22 22 015	AWG 22/7 outdoor PVC	40 m
8	09 47 22 22 013	AWG 22/7 outdoor PVC	20 m
7	09 47 22 22 012	AWG 22/7 outdoor PVC	15 m
6	09 47 22 22 011	AWG 22/7 outdoor PVC	10 m
5	09 47 22 22 006	AWG 22/7 outdoor PVC	5 m
4	09 47 22 22 005	AWG 22/7 outdoor PVC	3 m
3	09 47 22 22 004	AWG 22/7 outdoor PVC	2 m
2	09 47 22 22 003	AWG 22/7 outdoor PVC	1,5 m
1	09 47 22 22 002	AWG 22/7 outdoor PVC	1 m
Cont. no.	Part-No.	Type of cable	Dim. a[m]

All Dimensions in mm Original Size DIN A 3		Techn. Character.		Nicht tolerierte Maßel/Free size tolerances	
		Dat. Name Maßstab/Scale		M12 cord, 2xM12 overmolded, D-coded 4xAWG 22/7, CAT5	
		Detail. 06.08.08 MS			
		Insp. 06.08.08 RA			
		Stand.		2:1	
DRS 475A	03.03.09	MR	HARTING Electronics GmbH & Co. KG D-32339 ESPELKAMP		TB 09 47 22 22 xxx
35009					Blatt/ page
Mod.	Dat.	Name	Sub.		Sub.