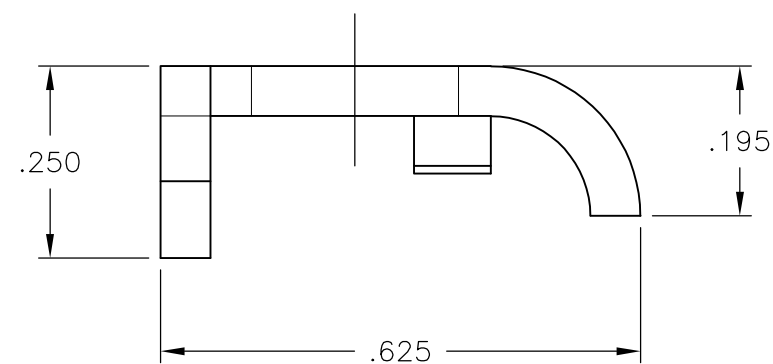
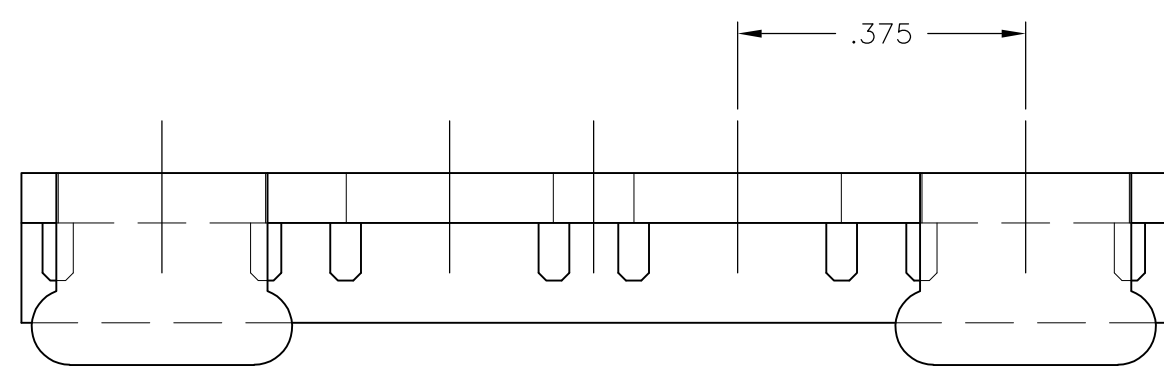
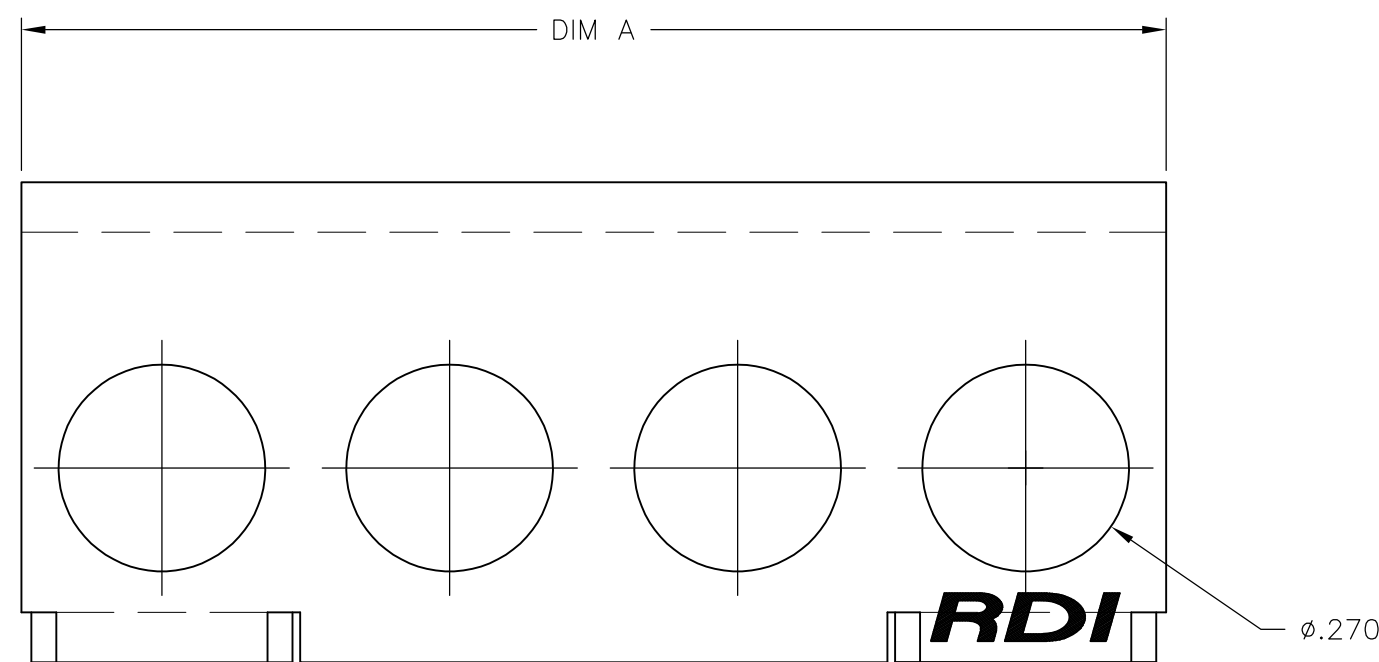


THIS DRAWING IS UNPUBLISHED. RELEASED FOR PUBLICATION
 © COPYRIGHT - By - ALL RIGHTS RESERVED.

LOC		DIST		REVISIONS			
P	LTR	DESCRIPTION		DATE	DWN	APVD	
	D1	REVISED PER ECO-11-004820		11MAR11	RK	HMR	

NOTES:

- 1 MATERIAL: POLYPHENYLENE OXIDE UL94V-0, BLACK.
- 2 POSITION HAS RDI LOGO OMITTED.
- 3. FOR USE WITH 6 SERIES BARRIER STRIPS.



5.991	16	TC6-16-PFH	4-1437661-7
5.616	15	TC6-15-PFH	4-1437661-6
5.241	14	TC6-14-PFH	1-1776050-4
4.866	13	TC6-13-PFH	1-1776050-3
4.491	12	TC6-12-PFH	4-1437661-5
4.116	11	TC6-11-PFH	7-1437661-4
3.741	10	TC6-10-PFH	4-1437661-4
3.366	9	TC6-09-PFH	4-1437661-2
2.991	8	TC6-08-PFH	4-1437661-0
2.616	7	TC6-07-PFH	3-1437661-8
2.241	6	TC6-06-PFH	3-1437661-7
1.866	5	TC6-05-PFH	3-1437661-4
1.491	4	TC6-04-PFH	3-1437661-2
1.116	3	TC6-03-PFH	2-1437661-9
.741	2	TC6-02-PFH	2-1437661-7
DIM A	NO. OF POS.	CATALOG NUMBER	PART NUMBER

THIS DRAWING IS A CONTROLLED DOCUMENT.		DWN S SCHLEGEL 23MAY03		
DIMENSIONS: INCHES		CHK S YODER 5/23/03		
TOLERANCES UNLESS OTHERWISE SPECIFIED:		APVD S YODER 5/23/03	NAME TC6-XX-PFH TERMINAL BLOCK COVER	
0 PLC ± - 1 PLC ± - 2 PLC ± - 3 PLC ± .010 4 PLC ± - ANGLES ± -		PRODUCT SPEC -	RESTRICTED TO -	
MATERIAL - 1		FINISH -	WEIGHT -	SIZE A2
CUSTOMER DRAWING		SCALE 4:1	CAGE CODE 00779	DRAWING NO. 2-1437661-7
		SHEET 1 of 1	REV D1	