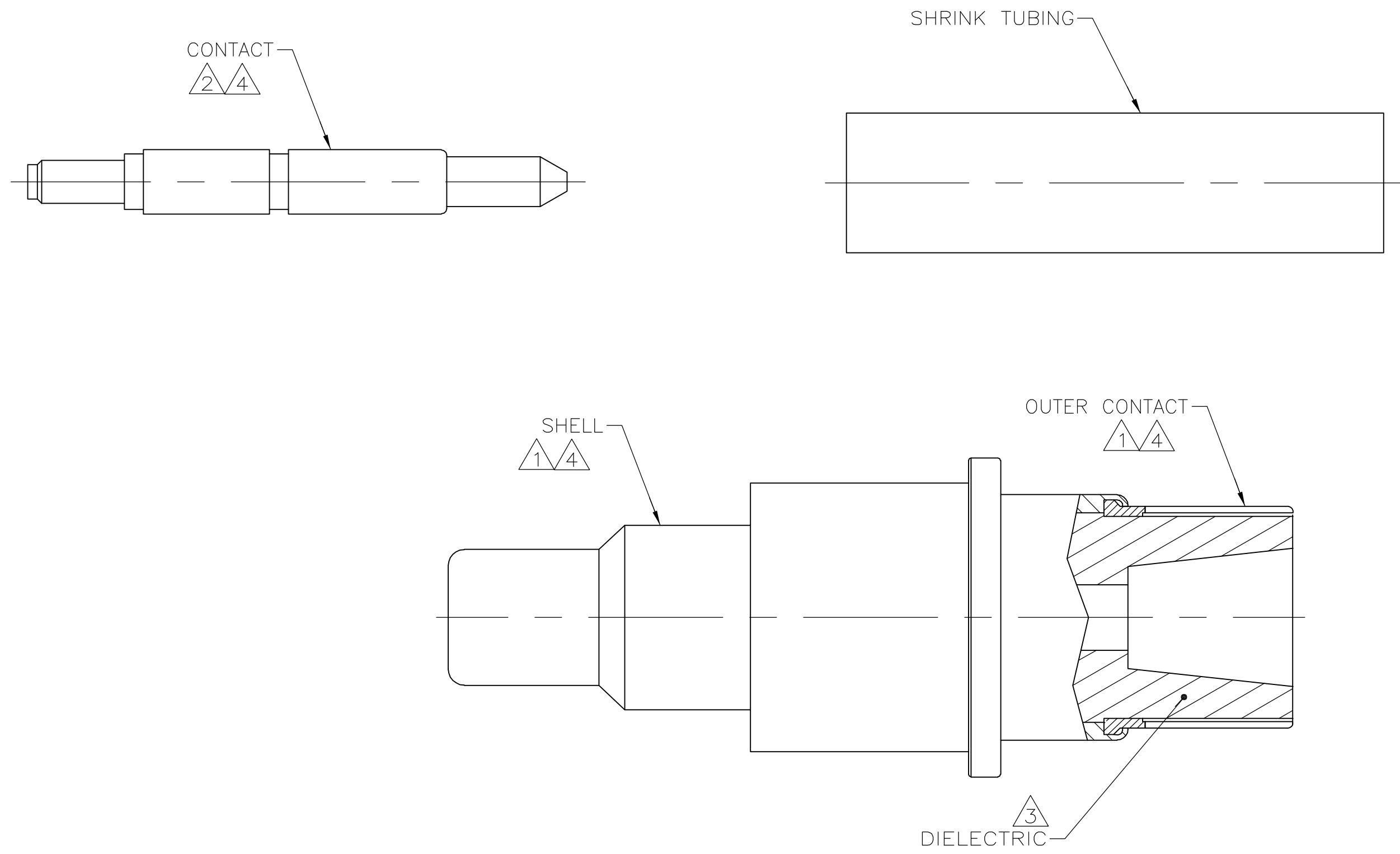


THIS DRAWING IS UNPUBLISHED. RELEASED FOR PUBLICATION
 © COPYRIGHT BY TYCO ELECTRONICS CORPORATION. ALL RIGHTS RESERVED.

LOC	DIST	REVISIONS			
P	LTR	DESCRIPTION	DATE	DWN	APVD
DF	X0				
	F	REV PER ECO 05-015505	6JAN06	BL	CCT



- 1 BRASS PER ASTM-B-16.
 - 2 BERYLLIUM COPPER PER ASTM-B-196.
 - 3 PTFE PER ASTM-D-1710.
 - 4 GOLD PLATED PER ASTM-B-488 OVER NICKEL PER QQ-N-290.
5. FOR USE WITH .141 [3.58] SEMI-RIGID CABLE.
 6. CONTACT FINGERS BeCu PER ASTM-B-196.

225837-1
 PART NO.

THIS DRAWING IS A CONTROLLED DOCUMENT.		DWN C.C.THOMAS 10-31-94	Tyco Electronics Corporation Harrisburg, PA 17105-3608																			
DIMENSIONS: INCHES		CHK J.CABARLO 11-2-94																				
TOLERANCES UNLESS OTHERWISE SPECIFIED:		APVD J.CABARLO 11-2-94	NAME PIN CONTACT KIT, SIZE 1, RF																			
<table border="0"> <tr><td>0 PLC</td><td>±</td><td>-</td></tr> <tr><td>1 PLC</td><td>±</td><td>-</td></tr> <tr><td>2 PLC</td><td>±</td><td>-</td></tr> <tr><td>3 PLC</td><td>±</td><td>.005 [0.13]</td></tr> <tr><td>4 PLC</td><td>±</td><td>-</td></tr> <tr><td>ANGLES</td><td></td><td>± -</td></tr> </table>		0 PLC	±	-	1 PLC	±	-	2 PLC	±	-	3 PLC	±	.005 [0.13]	4 PLC	±	-	ANGLES		± -	PRODUCT SPEC -	SIZE A2	CAGE CODE 00779
0 PLC	±	-																				
1 PLC	±	-																				
2 PLC	±	-																				
3 PLC	±	.005 [0.13]																				
4 PLC	±	-																				
ANGLES		± -																				
MATERIAL SEE CALLOUTS		FINISH SEE CALLOUTS	WEIGHT -	DRAWING NO C=225837																		
		CUSTOMER DRAWING		RESTRICTED TO -																		
		SCALE 5:1	SHEET 1 of 1	REV F																		

225837