

| | | | | | | | | | | |
|---------------|------------|------|----------------|------------|----------------|----------------------------------|-----------|----------------|----------|-----|
| spec ref | - | dr | Wei-Long Zhang | 2012/08/09 | projection | MM | size | A2 | scale | 4:1 |
| tolerance std | ASME Y14.5 | eng | Sunny2 Liu | 2016/05/06 | | CARD EDGE | ecn no | ELX-DG-24036-1 | | |
| | | chr | Terris Liu | 2016/05/20 | | | rel level | Released | | |
| | | appr | Pai-Ming Zheng | 2016/05/24 | product family | rel level | | Released | | |
| surface | linear | 0.X | ±0.3 | | title | STD STRADDLE MT | | dwg no | 10122237 | |
| | | 0.XX | ±0.1 | | | HIGH POWER CARD EDGE - UNIVERSAL | | rev | B | |
| | angular | 0° | ±° | | cat. no. | Product - Customer Drw | | sheet 1 of 4 | | |

PDS: Rev :B

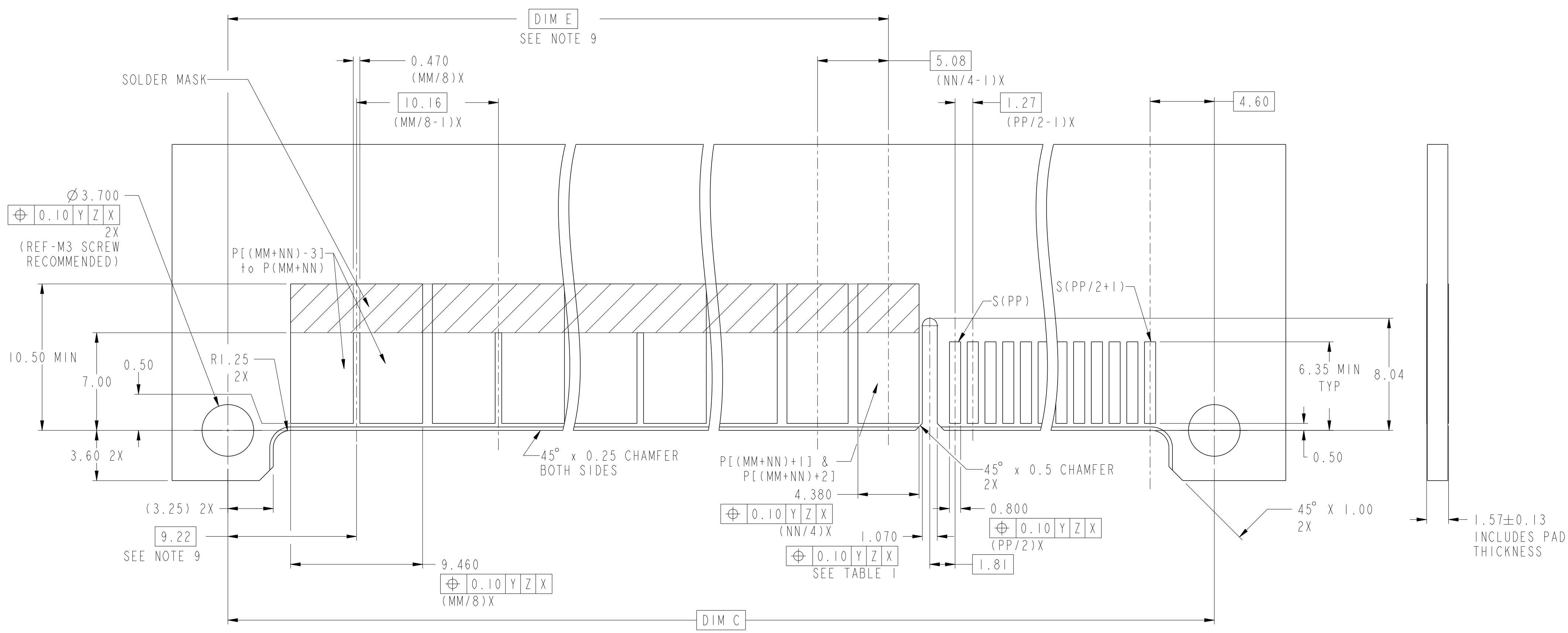
STATUS:Released

Printed: May 24, 2016

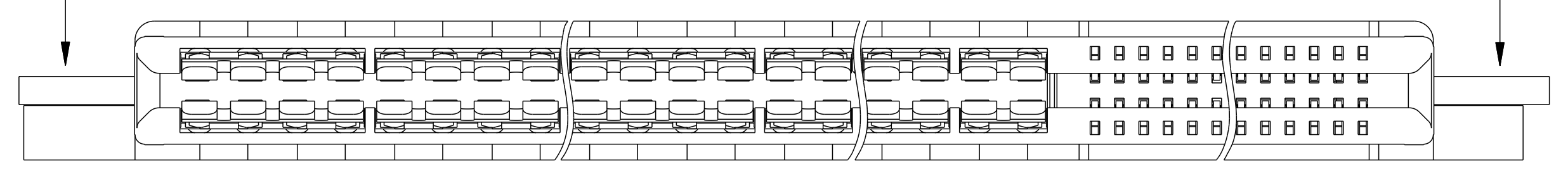
Amphenol
FCI

© 2016 APCI

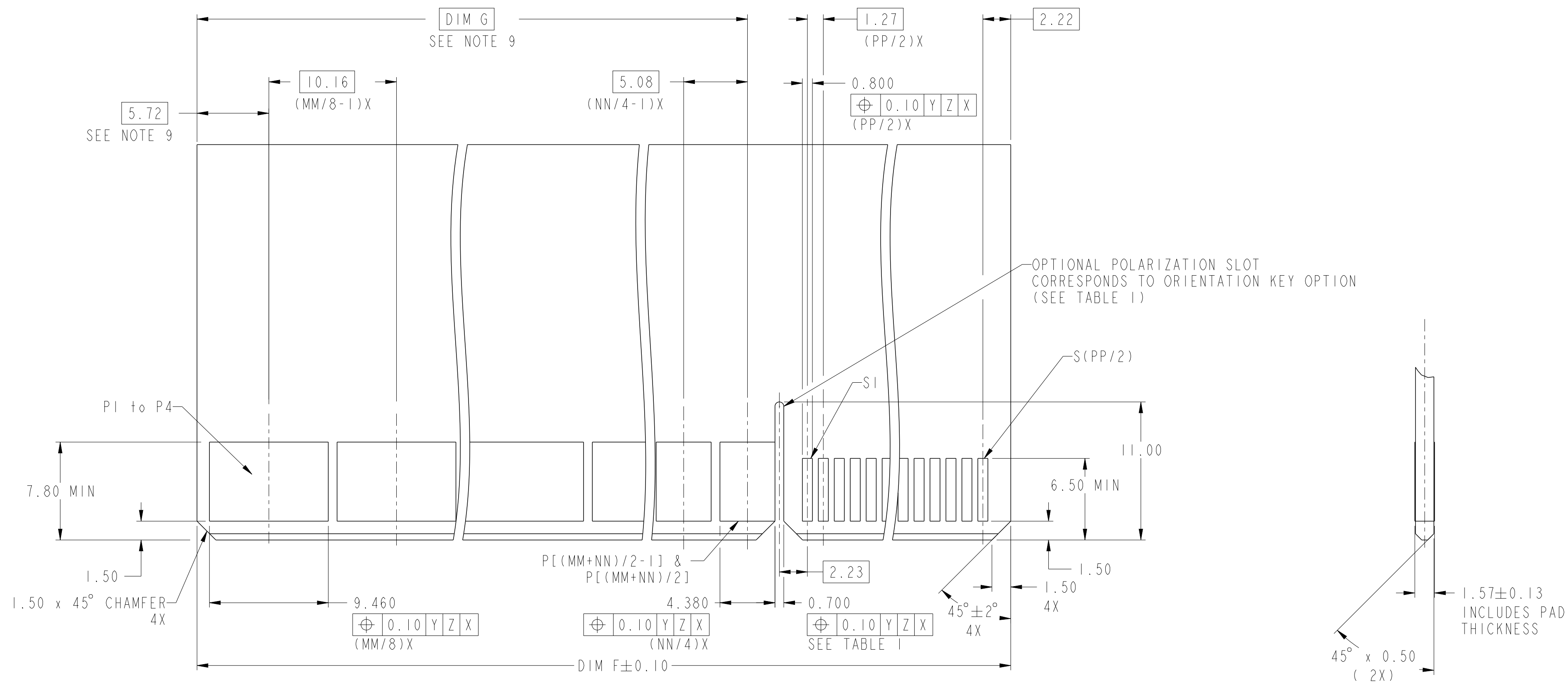
Amphenol FCI
© 2016 AFCI



RECOMMENDED HOST BOARD LAYOUT AS VIEWED



| | | | | | | | | | | | |
|---------------------------------------|--------------------------------------|---------------------|----------------|--|------------|----------|------------------------|----------------|--------------|-----|--|
| spec ref | - | dr | Wei-Long Zhang | 2012/08/09 | projection | MM | size | A2 | scale | 2:1 | |
| tolerance std | ASME Y14.5 | eng | Sunny2 Liu | 2016/05/06 | | | ecn no | ELX-DG-24036-1 | | | |
| TOLERANCES UNLESS OTHERWISE SPECIFIED | | chr | Terris Liu | 2016/05/20 | | | rel level | Released | | | |
| surface | ASME Y14.5 | appr | Pei-Ming Zheng | 2016/05/24 | | | product family | - | | | |
| linear | 0.X ±0.3 0.XX ±0.1 0.XXX ±0.05 | | | STD STRADDLE MT HIGH POWER CARD EDGE - UNIVERSAL | | cat. no. | Product - Customer Drw | | sheet 2 of 4 | | |
| angular | 0° ±° | Amphenol FCI | | title 10122237 | | rev | B | | | | |



RECOMMENDED MATING BOARD FOOTPRINT

Amphenol
FCI

© 2016 APCI

| | | | | | | | | | | |
|---------------------------------------|------------|------|----------------|------------|----------------------------------|----|----------|------------------------|--------------|----------|
| spec ref | - | dr | Wei-Long Zhang | 2012/08/09 | projection | MM | size | A2 | scale | 1:1 |
| tolerance std | ASME Y14.5 | eng | Sunny2 Liu | 2016/05/06 | | | ecn no | ELX-DG-24036-1 | rel level | Released |
| TOLERANCES UNLESS OTHERWISE SPECIFIED | | chr | Terris Liu | 2016/05/20 | | | | | | |
| | | appr | Pai-Ming Zheng | 2016/05/24 | | | | | | |
| surface | linear | 0.X | ±0.3 | | product family | | cat. no. | Product - Customer Drw | sheet 3 of 4 | |
| | | 0.XX | ±0.1 | | STD STRADDLE MT | | | | | |
| | angular | 0° | ±° | | HIGH POWER CARD EDGE - UNIVERSAL | | | | | |
| | | | | title | std no | | 10122237 | | rev | B |

PDS: Rev :B

STATUS:Released

Printed: May 24, 2016

10122237 - MM NN PP LF

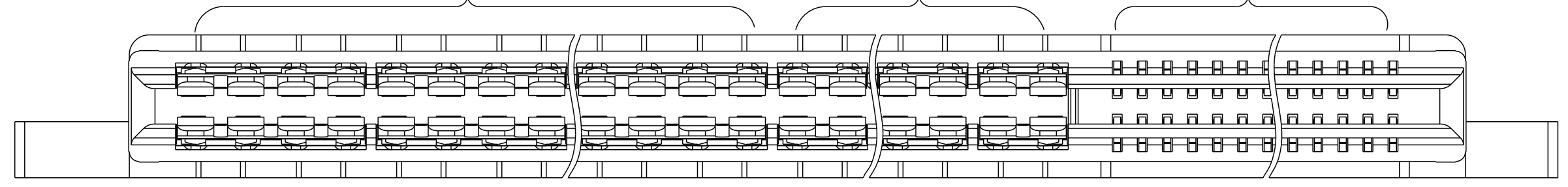
LEAD FREE

| | | | | | | | | |
|------------------|---|---|---|---|---|---|---|---|
| | A | B | C | D | E | F | G | H |
| MOUNTING EARS | Y | Y | Y | N | N | N | Y | N |
| POLARIZATION KEY | Y | N | N | Y | N | N | Y | Y |
| REAR KEY | Y | Y | N | Y | Y | N | N | N |

4 BEAM PWR CONTACT QTY
(NEXT TO LEFT END)

2 BEAM PWR CONTACT QTY
(NEXT TO SIGNAL)

SIGNAL CONTACT QTY



Example: The configuration above is 10122237-241224ALF
STD STRADDLE MT 36P24S with MOUNTING EARS, POLARIZATION KEY and REAR KEY.
24P is 4 beam contacts, 12P is 2 beam contacts.

TABLE 1: PART NUMBER CODE FOR STD HPCE MT P+S CONFIG

NOTES:

1. CONNECTOR MATERIALS:

HOUSING: HIGH TEMPERATURE THERMAL PLASTIC, BLACK
UL 94V-0 COMPLIANT
CONTACTS: HIGH PERFORMANCE COPPER ALLOY.

2. CONTACT FINISH REF. GS-12-604 SECTION 5.2.

3. PRODUCT SPECIFICATION: GS-12-604.

4. APPLICATION SPECIFICATION: GS-20-128.

5. PRODUCT MARKING ON HOUSING IN AREA SHOWN MEETS AFCI SPECIFICATION: GS-24-007.

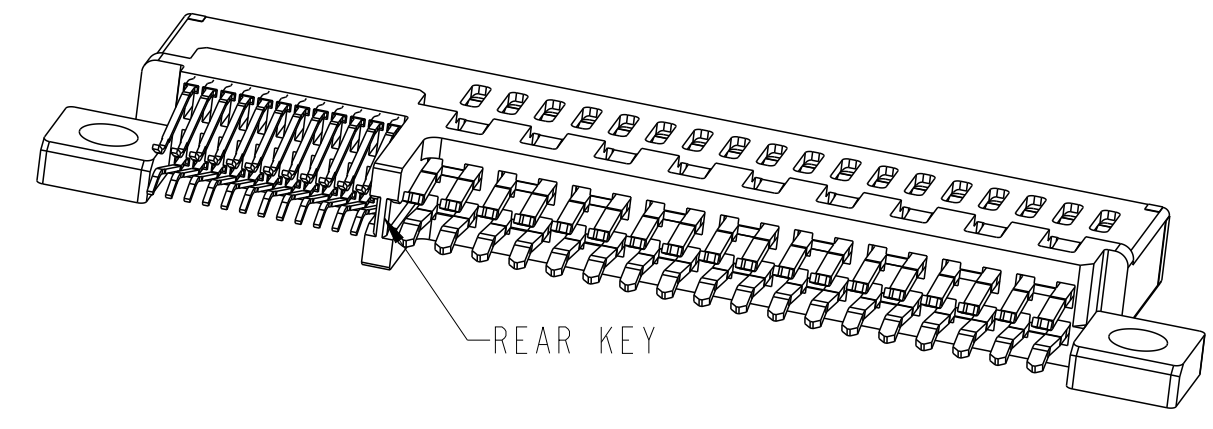
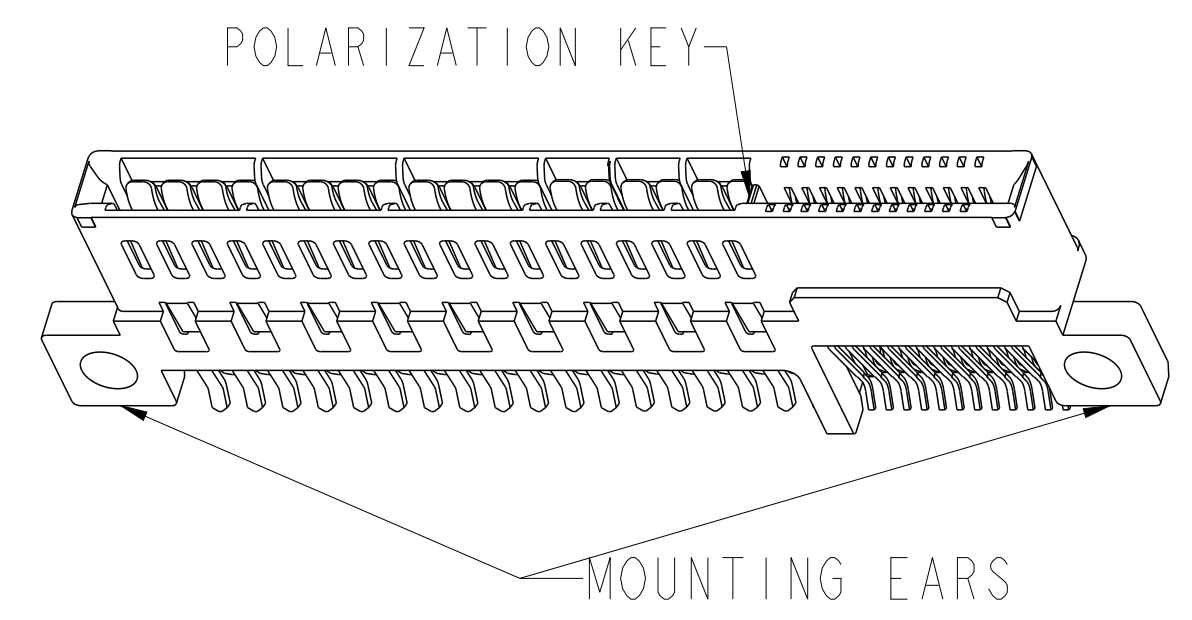
6. PACKAGING MEETS FCI SPECIFICATION GS-14-937.

7. HOUSING COMPONENT WILL WITHSTAND EXPOSURE TO 260°C PEAK TEMPERATURE FOR 60 SECONDS IN A CONVECTION, INFRA-RED, OR VAPOR PHASE REFLOW OVEN.

8. MAXIMUM OVERALL LENGTH IS 100mm.

9. DIM IS NOT APPLICABLE IF NO 4 BEAM CONTACT OR 2 BEAM CONTACT.

10. A SYMBOL \triangle WILL BE NEXT TO ANY DIMENSION, VIEW, OR NOTE WHICH HAS BEEN MODIFIED WITH THE CURRENT DRAWING REVISION.



Amphenol FCI

© 2016 AFCI

| DIM | TABLE 2. LENGTH FORMULAS |
|---------|---|
| DIM A ⑧ | $(MM + NN) / 2 \times 2.54 + (PP / 2) \times 1.27 + 17.2$ |
| DIM B | DIM A - 13.08 |
| DIM C | DIM A - 7.5 |
| DIM D | DIM A - 10.42 |
| DIM E ⑨ | $(MM / 8 - 1) \times 10.16 + (NN / 4 - 1) \times 5.08 + 16.84$ (WITH 4 BEAM CONTACT) 6.68 (WITHOUT 4 BEAM CONTACT) |
| DIM F | DIM A - 13.38 |
| DIM G ⑨ | $(MM / 8 - 1) \times 10.16 + (NN / 4 - 1) \times 5.08 + 13.34$ (WITH 4 BEAM CONTACT) 3.18 (WITHOUT 4 BEAM CONTACT) |

| | | | | | | | | | | |
|---------------------------------------|------------|-------|----------------|------------|--|---------------|------------------------|----------------|-----------|-----------|
| spec ref | - | dr | Wei-Long Zhang | 2012/08/09 | projection | MM | size | A2 | scale | 4:1 |
| tolerance std | ASME Y14.5 | eng | Sunny2 Liu | 2016/05/06 | | | ecn no | ELX-DG-24036-1 | rel level | Released |
| TOLERANCES UNLESS OTHERWISE SPECIFIED | | chr | Terris Liu | 2016/05/20 | | | product family | CARD EDGE | | rel level |
| surface | linear | 0.X | ±0.3 | | title STD STRADDLE MT HIGH POWER CARD EDGE - UNIVERSAL | cat. no. - | Product - Customer Drw | sheet 4 of 4 | rev B | |
| | 0.XX | ±0.1 | | | | | | | | |
| | 0.XXX | ±0.05 | | | | | | | | |
| | angular | 0° | ±° | | | | | | | |

PDS: Rev :B

STATUS:Released

Printed: May 24, 2016