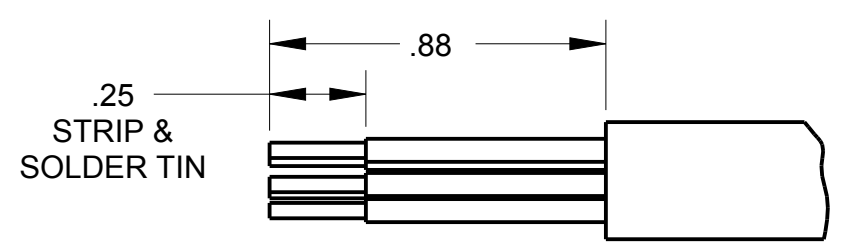
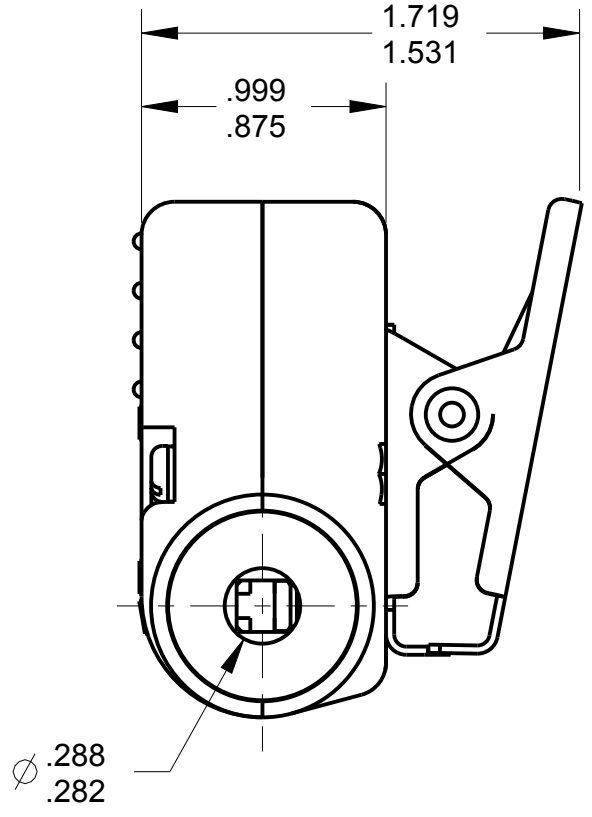
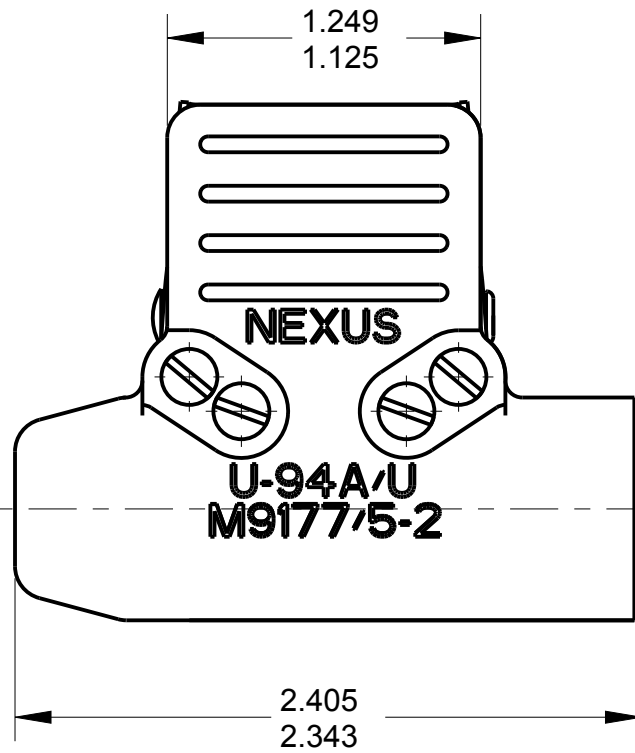
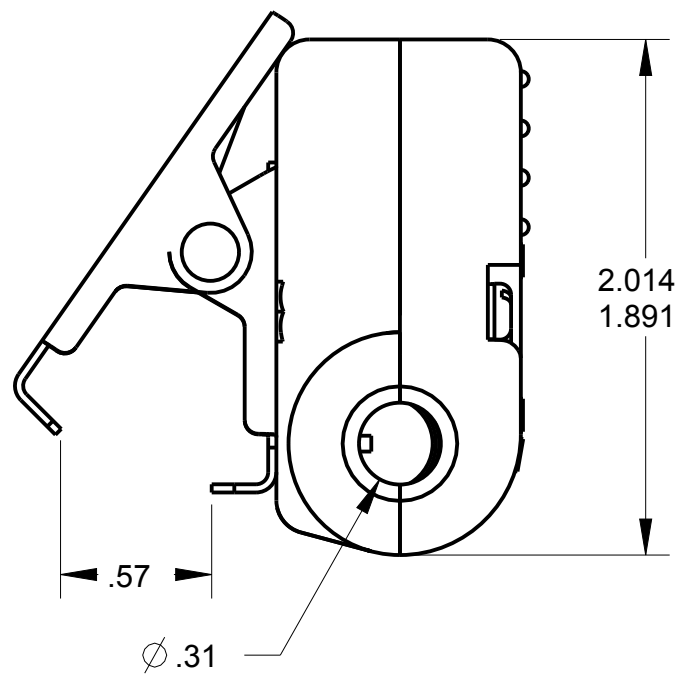
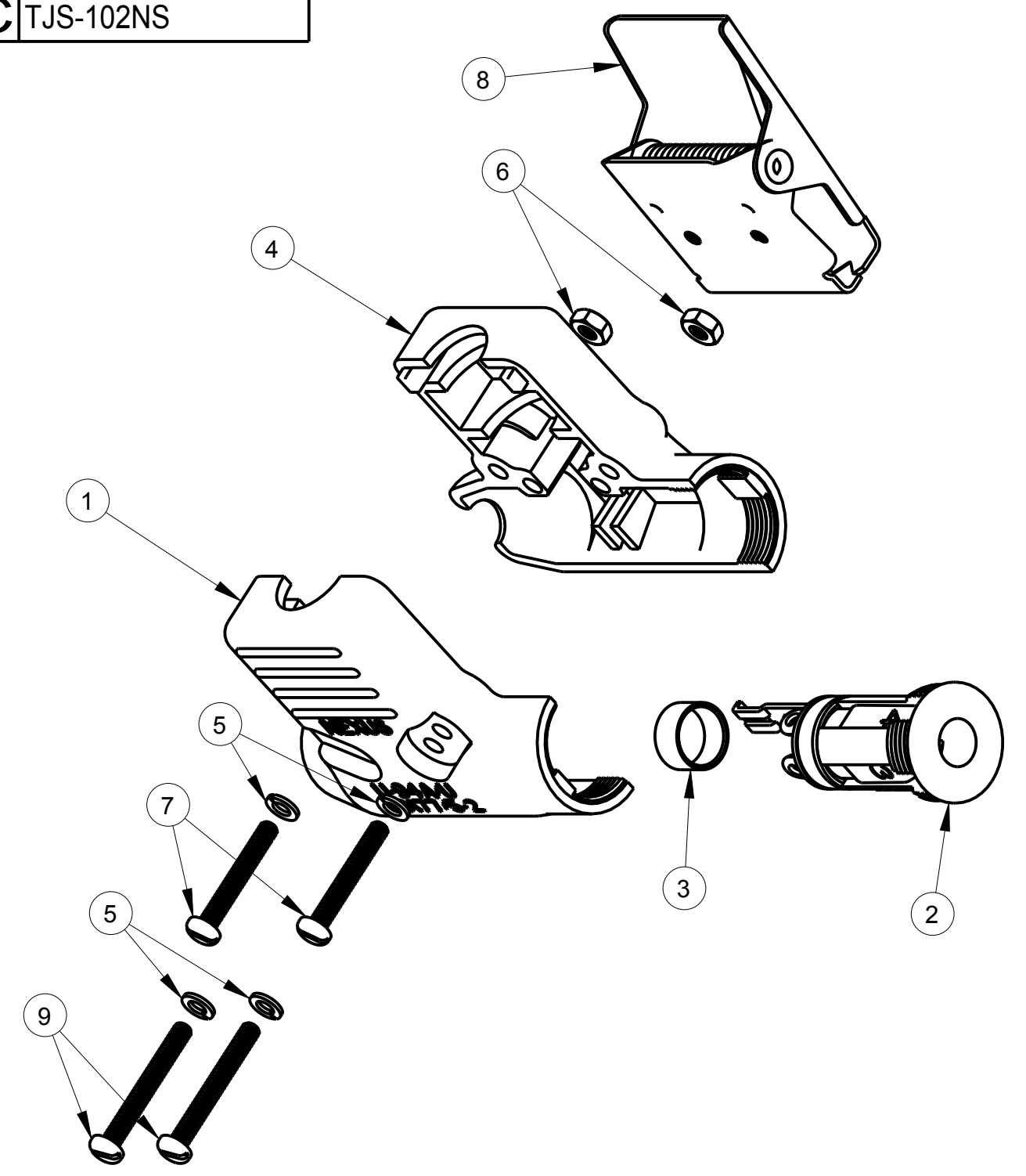


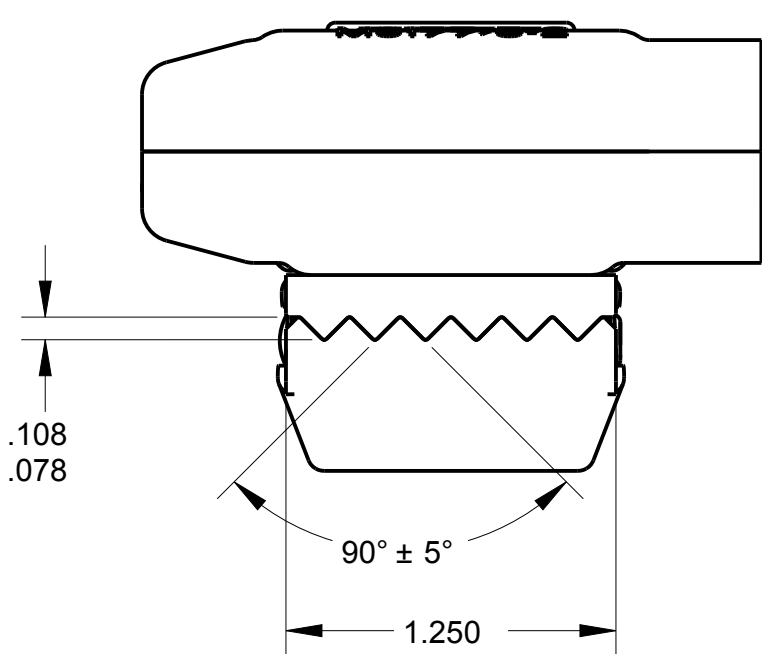
ITEM #	PART #	QTY	DESCRIPTION
1	TJS-102-1	1	SHELL HALF, RIBBED
2	TJS-102-3	1	JACK ASSEMBLY
3	TP-102-20	1	CRIMP, SLEEVE (ϕ .39 X .20)
4	TJS-102-2	1	SHELL, HALF - SMOOTH
5	TJ-106-13	4	#4 WASHER, LOCK
6	TJ-106-14	2	NUT, #4-40 SPECIAL
7	TJS-102-15	2	SCREW
8	TJS-104-3A	1	CLIP ASSEMBLY
9	TJS-102-11	2	SCREW

NOTES:
 1) EACH PART SHALL BE MARKED WITH U-94A/U & M9177/5-2
 2) PART SHALL BE ON QUALIFIED PRODUCT LIST FOR MIL-C-9177/5A
 3) CRIMPING TOOLS USE M22520/S-01 HAND TOOL W/CRIMP DIE M22520/5-29, M22520/5-3S OR M22520/5-5S
 4) MATING CONNECTORS M9177/1-1, & M9177/2-1

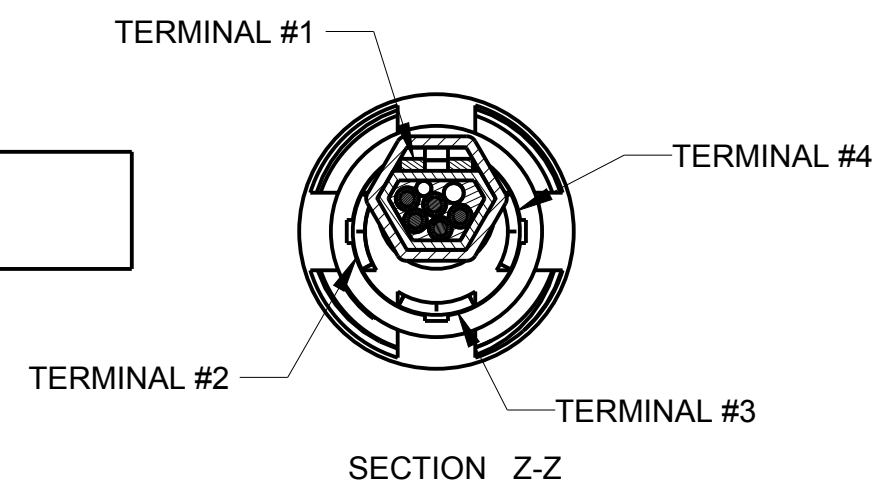
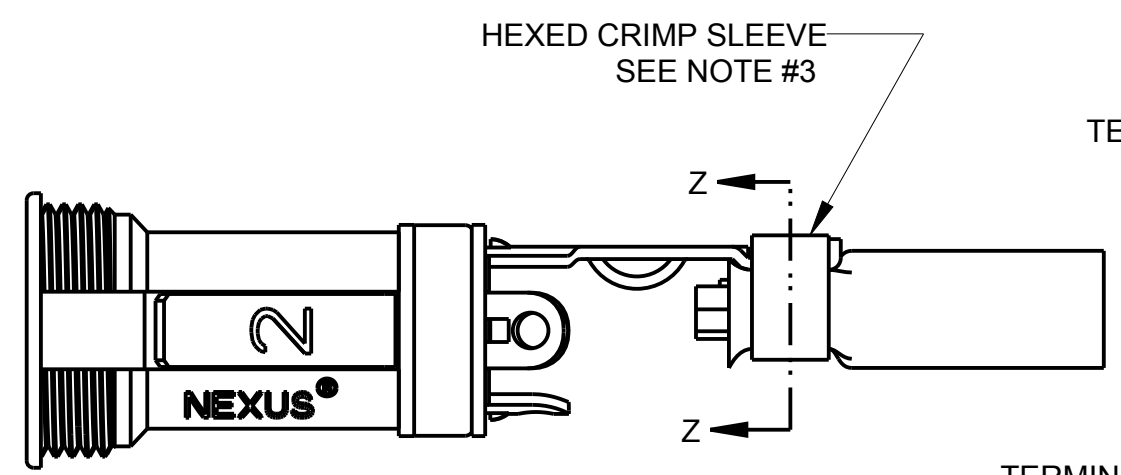
C TJS-102NS



RECOMMENDED CABLE:
 WM085/U (5-COND)
 FOR USE WITH U-94A/U



HEXED CRIMP SLEEVE
 SEE NOTE #3



THIS DOCUMENT CONTAINS PROPRIETARY INFORMATION OF NEXUS, INCORPORATED AND SUCH INFORMATION MAY NOT BE DISCLOSED TO OTHERS FOR ANY PURPOSE OR USED FOR ANY PURPOSE WITHOUT THE WRITTEN CONSENT OF NEXUS.

DWN.BY	IDH	DATE	7/15/85	MATERIAL
CHECKED BY	RWF	DATE	7/16/85	FINISH
APPR.BY		DATE		WEIGHT
UNLESS OTHERWISE SPECIFIED DIMENSIONS ARE IN INCHES & OR (mm)				SCALE = 1.00 :1
TOLERANCES:				TITLE
DECIMAL:				
FRACTION:				
ANGLES:				CONNECTOR AUDIO AIRBORNE JACK, 4 CONTACT, NO SWITCH
DO NOT SCALE DWG.				
SHEET 1 OF 1		NEXUS STAMFORD, CONN		SIZE
				DWG. NO.
				C TJS-102NS

LET.	REVISION	CN #	DATE	CHK
B	ADD: BOM: EXPLODED VIEW	215	12/3 2014	HR