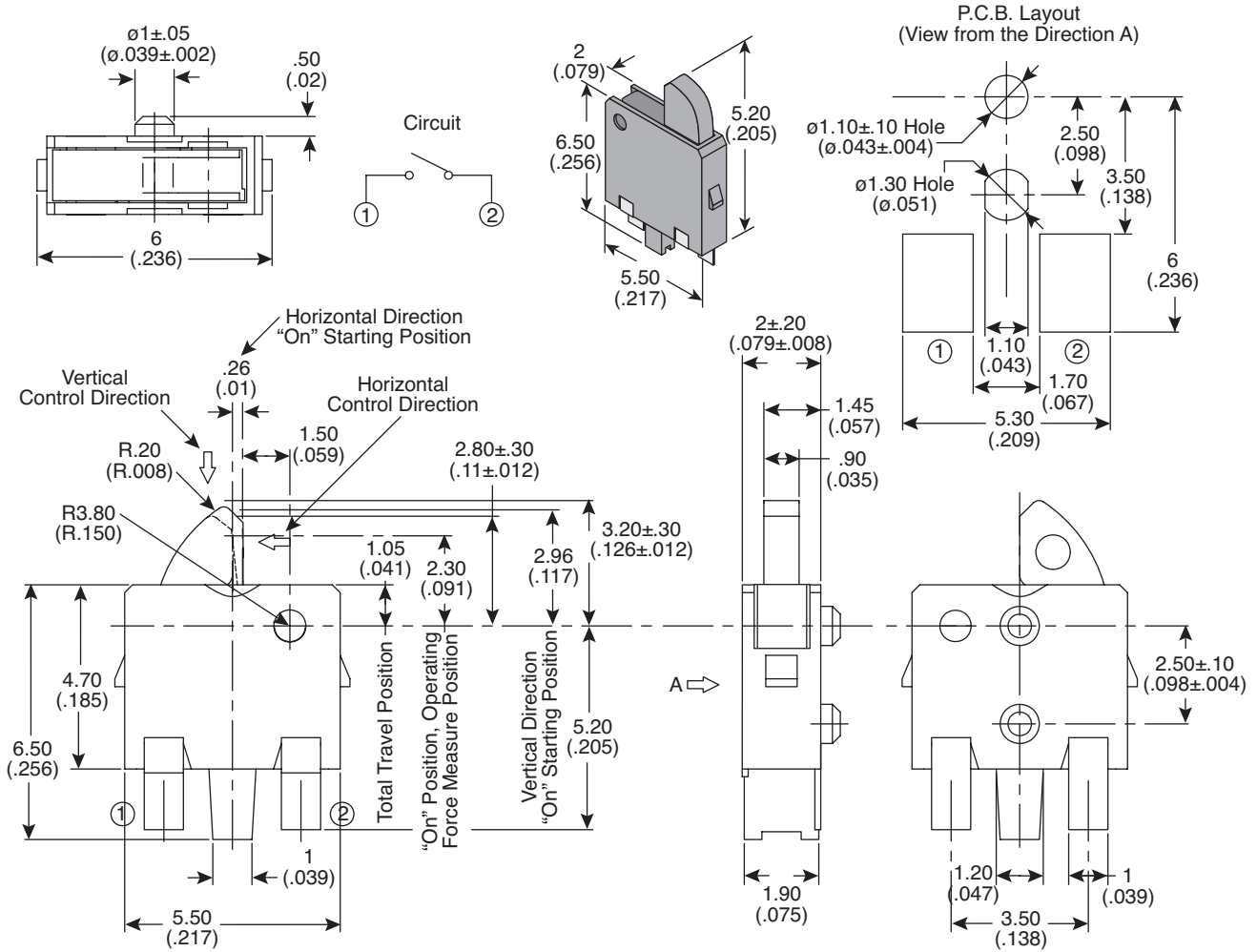


Dimensions: mm (in.)



**Electrical Specifications:**

- Rating: 50mA/20V DC
- Contact Resistance: 1 $\Omega$  Max.
- Insulation Resistance: 100M $\Omega$  Min.
- Dielectric Strength: 100 VAC (50Hz or 60Hz) shall be applied across terminals and cover for 1 minute
- Electrical Life: 50,000 cycles

**Mechanical Specifications:**

- Operating Temperature: -10 $^{\circ}$  C to +60 $^{\circ}$  C.
- Operation Force: 40gf Max.
- Storage Temperature: -20 $^{\circ}$  C to +70 $^{\circ}$  C
- Stroke: 2.15mm Max.

**Note:**

- RoHS Compliant

Detector Switch  
104-TEML18-EV



Available from Mouser Electronics

www.mouser.com

1-800-346-6873