

# Multi-Purpose International Transformers



## High Performance with Greater Volumetric Efficiency



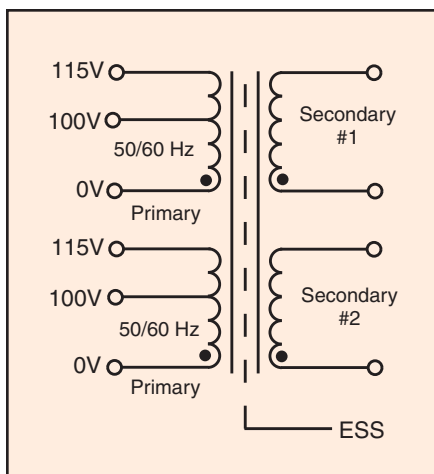
Signal's MPI transformers feature higher volumetric efficiency for improved performance compared with conventional 50/60Hz transformers. They also incorporate international safety features making them ideal for worldwide applications.

### General Specifications

- Power - 200 VA to 900 VA
- Dielectric Strength - 4000 Vrms Hipot
- Primaries - Dual / tapped primaries 100 V, 115 V, 200 V, 215 V, 230 V - 50/60Hz
- Dual Secondaries - Series or parallel
- Electrostatic Shield - Solid copper full width foil
- Touch Safe IP20 Type Terminals - Quick connect 3/16" and optional 1/4" screw type terminals
- Leakage - <100 micro amps
- Insulation System - Class F, 155° C

### Agency Certifications

- UL 1446, File # E66312
- UL recognized to UL 506 / UL 5085-2, File # E63829
- CSA certified to C22.2 No. 66.1, File # 221070
- Designed to meet VDE 0805 and VDE 0550
- TUV Rheinland certified to IEC EN61558-2-4 and EN61558-2-6, License # R72042497



| Part Number | Secondary       |               | Part Number | Secondary        |               |
|-------------|-----------------|---------------|-------------|------------------|---------------|
|             | Series          | Parallel      |             | Series           | Parallel      |
| MPI-200-10  | 10 VCT @ 20.0 A | 5 V @ 40.0 A  | MPI-200-28  | 28 VCT @ 7.1 A   | 14 V @ 14.2 A |
| MPI-250-10  | 10 VCT @ 25.0 A | 5 V @ 50.0 A  | MPI-250-28  | 28 VCT @ 8.9 A   | 14 V @ 17.9 A |
| MPI-300-10  | 10 VCT @ 30.0 A | 5 V @ 60.0 A  | MPI-300-28  | 28 VCT @ 10.7 A  | 14 V @ 21.4 A |
| MPI-400-10  | 10 VCT @ 40.0 A | 5 V @ 80.0 A  | MPI-400-28  | 28 VCT @ 14.3 A  | 14 V @ 28.6 A |
| MPI-650-10  | 10 VCT @ 65.0 A | 5 V @ 130.0 A | MPI-650-28  | 28 VCT @ 23.2 A  | 14 V @ 46.4 A |
| MPI-900-10  | 10 VCT @ 90.0 A | 5 V @ 180.0 A | MPI-900-28  | 28 VCT @ 32.1 A  | 14 V @ 64.2 A |
| MPI-200-12  | 12 VCT @ 16.7 A | 6 V @ 33.3 A  | MPI-200-36  | 36 VCT @ 5.6 A   | 18 V @ 11.2 A |
| MPI-250-12  | 12 VCT @ 20.8 A | 6 V @ 41.7 A  | MPI-250-36  | 36 VCT @ 6.9 A   | 18 V @ 13.8 A |
| MPI-300-12  | 12 VCT @ 25.0 A | 6 V @ 50.0 A  | MPI-300-36  | 36 VCT @ 8.3 A   | 18 V @ 16.7 A |
| MPI-400-12  | 12 VCT @ 33.3 A | 6 V @ 66.6 A  | MPI-400-36  | 36 VCT @ 11.1 A  | 18 V @ 22.2 A |
| MPI-650-12  | 12 VCT @ 54.2 A | 6 V @ 108.4 A | MPI-650-36  | 36 VCT @ 18.1 A  | 18 V @ 36.2 A |
| MPI-900-12  | 12 VCT @ 75.0 A | 6 V @ 150.0 A | MPI-900-36  | 36 VCT @ 25.0 A  | 18 V @ 50.0 A |
| MPI-200-16  | 16 VCT @ 12.5 A | 8 V @ 25.0 A  | MPI-200-40  | 40 VCT @ 5.0 A   | 20 V @ 10.0 A |
| MPI-250-16  | 16 VCT @ 15.6 A | 8 V @ 31.2 A  | MPI-250-40  | 40 VCT @ 6.3 A   | 20 V @ 12.6 A |
| MPI-300-16  | 16 VCT @ 18.8 A | 8 V @ 37.6 A  | MPI-300-40  | 40 VCT @ 7.5 A   | 20 V @ 15.0 A |
| MPI-400-16  | 16 VCT @ 25.0 A | 8 V @ 50.0 A  | MPI-400-40  | 40 VCT @ 10.0 A  | 20 V @ 20.0 A |
| MPI-650-16  | 16 VCT @ 40.6 A | 8 V @ 81.2 A  | MPI-650-40  | 40 VCT @ 16.3 A  | 20 V @ 32.6 A |
| MPI-900-16  | 16 VCT @ 56.3 A | 8 V @ 112.5 A | MPI-900-40  | 40 VCT @ 22.5 A  | 20 V @ 45.0 A |
| MPI-200-20  | 20 VCT @ 10.0 A | 10 V @ 20.0 A | MPI-200-48  | 48 VCT @ 4.2 A   | 24 V @ 8.3 A  |
| MPI-250-20  | 20 VCT @ 12.5 A | 10 V @ 25.0 A | MPI-250-48  | 48 VCT @ 5.2 A   | 24 V @ 10.4 A |
| MPI-300-20  | 20 VCT @ 15.0 A | 10 V @ 30.0 A | MPI-300-48  | 48 VCT @ 6.3 A   | 24 V @ 12.6 A |
| MPI-400-20  | 20 VCT @ 20.0 A | 10 V @ 40.0 A | MPI-400-48  | 48 VCT @ 8.3 A   | 24 V @ 16.7 A |
| MPI-650-20  | 20 VCT @ 32.5 A | 10 V @ 65.0 A | MPI-650-48  | 48 VCT @ 13.5 A  | 24 V @ 27.1 A |
| MPI-900-20  | 20 VCT @ 45.0 A | 10 V @ 90.0 A | MPI-900-48  | 48 VCT @ 18.8 A  | 24 V @ 37.5 A |
| MPI-200-24  | 24 VCT @ 8.3 A  | 12 V @ 16.7 A | MPI-200-230 | 230 VCT @ 0.87 A | 115 V @ 1.7 A |
| MPI-250-24  | 24 VCT @ 10.4 A | 12 V @ 20.8 A | MPI-250-230 | 230 VCT @ 1.1 A  | 115 V @ 2.2 A |
| MPI-300-24  | 24 VCT @ 12.5 A | 12 V @ 25.0 A | MPI-300-230 | 230 VCT @ 1.3 A  | 115 V @ 2.6 A |
| MPI-400-24  | 24 VCT @ 16.7 A | 12 V @ 33.3 A | MPI-400-230 | 230 VCT @ 1.7 A  | 115 V @ 3.4 A |
| MPI-650-24  | 24 VCT @ 27.1 A | 12 V @ 54.2 A | MPI-650-230 | 230 VCT @ 2.8 A  | 115 V @ 5.6 A |
| MPI-900-24  | 24 VCT @ 37.5 A | 12 V @ 75.0 A | MPI-900-230 | 230 VCT @ 3.9 A  | 115 V @ 7.8 A |

Custom versions available upon request.

©2015 Signal Transformer Inc. Specifications subject to change without notice. 07.15

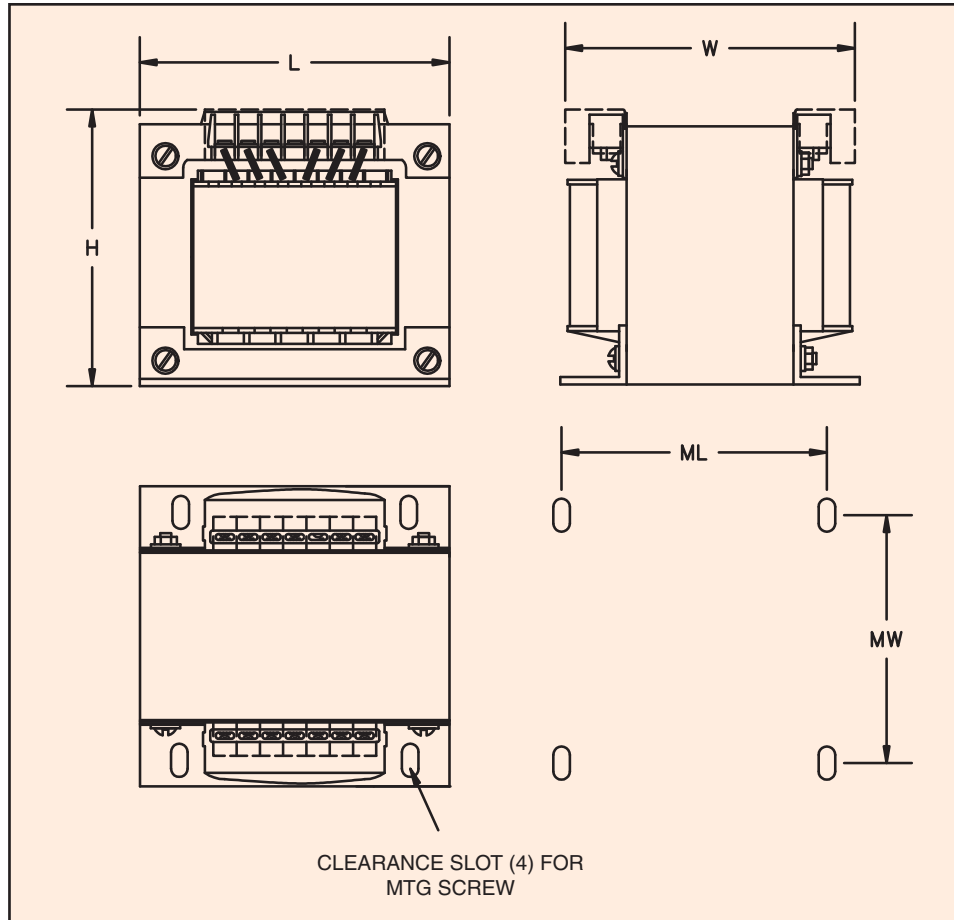


www.signaltransformer.com

500 Bayview Avenue, Inwood, NY 11096  
 Toll Free 866-239-5777 • Tel 516-239-5777 • Fax 516-239-7208  
 sales@signaltransformer.com • techhelp@signaltransformer.com

# Multi-Purpose International Transformers

High Performance with Greater Volumetric Efficiency



| VA   | Mechanical Dimensions |                 |                 |                 |                 | Weight          | Slot Size                   |
|------|-----------------------|-----------------|-----------------|-----------------|-----------------|-----------------|-----------------------------|
|      | L                     | W               | H               | ML              | MW              |                 |                             |
| Size | Inches (mm)           |                 |                 |                 |                 | lbs (kg)        | Inches (mm)                 |
| 200  | 3.75<br>(95.3)        | 4.30<br>(109.2) | 3.66<br>(93.1)  | 3.25<br>(82.6)  | 2.80<br>(71.1)  | 6.22<br>(2.82)  | .203 x .375<br>(5.2 x 9.5)  |
| 250  | 4.12<br>(104.8)       | 4.13<br>(104.9) | 3.86<br>(98.2)  | 3.62<br>(92.1)  | 2.60<br>(66.1)  | 6.76<br>(3.07)  | .203 x .375<br>(5.2 x 9.5)  |
| 300  | 4.12<br>(104.8)       | 4.30<br>(109.2) | 3.86<br>(98.2)  | 3.62<br>(92.1)  | 2.91<br>(74.0)  | 7.80<br>(3.54)  | .203 x .375<br>(5.2 x 9.5)  |
| 400  | 4.12<br>(104.8)       | 5.04<br>(128.1) | 3.86<br>(98.2)  | 3.62<br>(92.1)  | 3.50<br>(89.0)  | 9.82<br>(4.46)  | .203 x .375<br>(5.2 x 9.5)  |
| 650  | 5.25<br>(133.3)       | 4.70<br>(119.4) | 4.63<br>(117.8) | 4.50<br>(114.3) | 3.41<br>(86.7)  | 14.83<br>(6.73) | .281 x .563<br>(7.1 x 14.3) |
| 900  | 5.25<br>(133.3)       | 5.50<br>(139.7) | 4.63<br>(117.8) | 4.50<br>(114.3) | 4.20<br>(106.8) | 19.84<br>(9.01) | .281 x .563<br>(7.1 x 14.3) |

Custom versions available upon request.

©2015 Signal Transformer Inc. Specifications subject to change without notice. 07.15



www.signaltransformer.com

500 Bayview Avenue, Inwood, NY 11096  
Toll Free 866-239-5777 • Tel 516-239-5777 • Fax 516-239-7208  
sales@signaltransformer.com • techhelp@signaltransformer.com