

Multi-Purpose International Transformers



High Performance with Greater Volumetric Efficiency



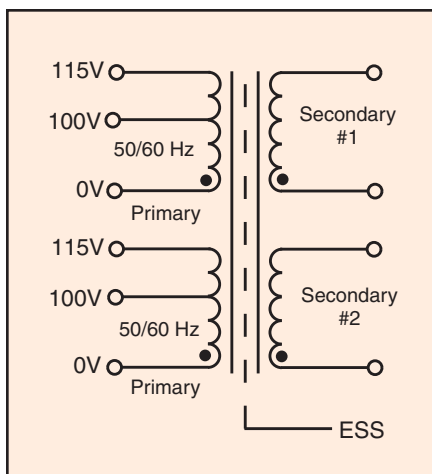
Signal's MPI transformers feature higher volumetric efficiency for improved performance compared with conventional 50/60Hz transformers. They also incorporate international safety features making them ideal for worldwide applications.

General Specifications

- Power - 200 VA to 900 VA
- Dielectric Strength - 4000 Vrms Hipot
- Primaries - Dual / tapped primaries 100 V, 115 V, 200 V, 215 V, 230 V - 50/60Hz
- Dual Secondaries - Series or parallel
- Electrostatic Shield - Solid copper full width foil
- Touch Safe IP20 Type Terminals - Quick connect 3/16" and optional 1/4" screw type terminals
- Leakage - <100 micro amps
- Insulation System - Class F, 155° C

Agency Certifications

- UL 1446, File # E66312
- UL recognized to UL 506 / UL 5085-2, File # E63829
- CSA certified to C22.2 No. 66.1, File # 221070
- Designed to meet VDE 0805 and VDE 0550
- TUV Rheinland certified to IEC EN61558-2-4 and EN61558-2-6, License # R72042497



| Part Number | Secondary | | Part Number | Secondary | |
|-------------|-----------------|---------------|-------------|------------------|---------------|
| | Series | Parallel | | Series | Parallel |
| MPI-200-10 | 10 VCT @ 20.0 A | 5 V @ 40.0 A | MPI-200-28 | 28 VCT @ 7.1 A | 14 V @ 14.2 A |
| MPI-250-10 | 10 VCT @ 25.0 A | 5 V @ 50.0 A | MPI-250-28 | 28 VCT @ 8.9 A | 14 V @ 17.9 A |
| MPI-300-10 | 10 VCT @ 30.0 A | 5 V @ 60.0 A | MPI-300-28 | 28 VCT @ 10.7 A | 14 V @ 21.4 A |
| MPI-400-10 | 10 VCT @ 40.0 A | 5 V @ 80.0 A | MPI-400-28 | 28 VCT @ 14.3 A | 14 V @ 28.6 A |
| MPI-650-10 | 10 VCT @ 65.0 A | 5 V @ 130.0 A | MPI-650-28 | 28 VCT @ 23.2 A | 14 V @ 46.4 A |
| MPI-900-10 | 10 VCT @ 90.0 A | 5 V @ 180.0 A | MPI-900-28 | 28 VCT @ 32.1 A | 14 V @ 64.2 A |
| MPI-200-12 | 12 VCT @ 16.7 A | 6 V @ 33.3 A | MPI-200-36 | 36 VCT @ 5.6 A | 18 V @ 11.2 A |
| MPI-250-12 | 12 VCT @ 20.8 A | 6 V @ 41.7 A | MPI-250-36 | 36 VCT @ 6.9 A | 18 V @ 13.8 A |
| MPI-300-12 | 12 VCT @ 25.0 A | 6 V @ 50.0 A | MPI-300-36 | 36 VCT @ 8.3 A | 18 V @ 16.7 A |
| MPI-400-12 | 12 VCT @ 33.3 A | 6 V @ 66.6 A | MPI-400-36 | 36 VCT @ 11.1 A | 18 V @ 22.2 A |
| MPI-650-12 | 12 VCT @ 54.2 A | 6 V @ 108.4 A | MPI-650-36 | 36 VCT @ 18.1 A | 18 V @ 36.2 A |
| MPI-900-12 | 12 VCT @ 75.0 A | 6 V @ 150.0 A | MPI-900-36 | 36 VCT @ 25.0 A | 18 V @ 50.0 A |
| MPI-200-16 | 16 VCT @ 12.5 A | 8 V @ 25.0 A | MPI-200-40 | 40 VCT @ 5.0 A | 20 V @ 10.0 A |
| MPI-250-16 | 16 VCT @ 15.6 A | 8 V @ 31.2 A | MPI-250-40 | 40 VCT @ 6.3 A | 20 V @ 12.6 A |
| MPI-300-16 | 16 VCT @ 18.8 A | 8 V @ 37.6 A | MPI-300-40 | 40 VCT @ 7.5 A | 20 V @ 15.0 A |
| MPI-400-16 | 16 VCT @ 25.0 A | 8 V @ 50.0 A | MPI-400-40 | 40 VCT @ 10.0 A | 20 V @ 20.0 A |
| MPI-650-16 | 16 VCT @ 40.6 A | 8 V @ 81.2 A | MPI-650-40 | 40 VCT @ 16.3 A | 20 V @ 32.6 A |
| MPI-900-16 | 16 VCT @ 56.3 A | 8 V @ 112.5 A | MPI-900-40 | 40 VCT @ 22.5 A | 20 V @ 45.0 A |
| MPI-200-20 | 20 VCT @ 10.0 A | 10 V @ 20.0 A | MPI-200-48 | 48 VCT @ 4.2 A | 24 V @ 8.3 A |
| MPI-250-20 | 20 VCT @ 12.5 A | 10 V @ 25.0 A | MPI-250-48 | 48 VCT @ 5.2 A | 24 V @ 10.4 A |
| MPI-300-20 | 20 VCT @ 15.0 A | 10 V @ 30.0 A | MPI-300-48 | 48 VCT @ 6.3 A | 24 V @ 12.6 A |
| MPI-400-20 | 20 VCT @ 20.0 A | 10 V @ 40.0 A | MPI-400-48 | 48 VCT @ 8.3 A | 24 V @ 16.7 A |
| MPI-650-20 | 20 VCT @ 32.5 A | 10 V @ 65.0 A | MPI-650-48 | 48 VCT @ 13.5 A | 24 V @ 27.1 A |
| MPI-900-20 | 20 VCT @ 45.0 A | 10 V @ 90.0 A | MPI-900-48 | 48 VCT @ 18.8 A | 24 V @ 37.5 A |
| MPI-200-24 | 24 VCT @ 8.3 A | 12 V @ 16.7 A | MPI-200-230 | 230 VCT @ 0.87 A | 115 V @ 1.7 A |
| MPI-250-24 | 24 VCT @ 10.4 A | 12 V @ 20.8 A | MPI-250-230 | 230 VCT @ 1.1 A | 115 V @ 2.2 A |
| MPI-300-24 | 24 VCT @ 12.5 A | 12 V @ 25.0 A | MPI-300-230 | 230 VCT @ 1.3 A | 115 V @ 2.6 A |
| MPI-400-24 | 24 VCT @ 16.7 A | 12 V @ 33.3 A | MPI-400-230 | 230 VCT @ 1.7 A | 115 V @ 3.4 A |
| MPI-650-24 | 24 VCT @ 27.1 A | 12 V @ 54.2 A | MPI-650-230 | 230 VCT @ 2.8 A | 115 V @ 5.6 A |
| MPI-900-24 | 24 VCT @ 37.5 A | 12 V @ 75.0 A | MPI-900-230 | 230 VCT @ 3.9 A | 115 V @ 7.8 A |

Custom versions available upon request.

©2015 Signal Transformer Inc. Specifications subject to change without notice. 07.15



www.signaltransformer.com

500 Bayview Avenue, Inwood, NY 11096
 Toll Free 866-239-5777 • Tel 516-239-5777 • Fax 516-239-7208
 sales@signaltransformer.com • techhelp@signaltransformer.com

Multi-Purpose International Transformers

High Performance with Greater Volumetric Efficiency



| VA | Mechanical Dimensions | | | | | Weight | Slot Size |
|------|-----------------------|-----------------|-----------------|-----------------|-----------------|-----------------|-----------------------------|
| | L | W | H | ML | MW | | |
| Size | Inches (mm) | | | | | lbs (kg) | Inches (mm) |
| 200 | 3.75 (95.3) | 4.30 (109.2) | 3.66 (93.1) | 3.25 (82.6) | 2.80 (71.1) | 6.22 (2.82) | .203 x .375 (5.2 x 9.5) |
| 250 | 4.12 (104.8) | 4.13 (104.9) | 3.86 (98.2) | 3.62 (92.1) | 2.60 (66.1) | 6.76 (3.07) | .203 x .375 (5.2 x 9.5) |
| 300 | 4.12 (104.8) | 4.30 (109.2) | 3.86 (98.2) | 3.62 (92.1) | 2.91 (74.0) | 7.80 (3.54) | .203 x .375 (5.2 x 9.5) |
| 400 | 4.12 (104.8) | 5.04 (128.1) | 3.86 (98.2) | 3.62 (92.1) | 3.50 (89.0) | 9.82 (4.46) | .203 x .375 (5.2 x 9.5) |
| 650 | 5.25 (133.3) | 4.70 (119.4) | 4.63 (117.8) | 4.50 (114.3) | 3.41 (86.7) | 14.83 (6.73) | .281 x .563 (7.1 x 14.3) |
| 900 | 5.25 (133.3) | 5.50 (139.7) | 4.63 (117.8) | 4.50 (114.3) | 4.20 (106.8) | 19.84 (9.01) | .281 x .563 (7.1 x 14.3) |

Custom versions available upon request.

©2015 Signal Transformer Inc. Specifications subject to change without notice. 07.15



www.signaltransformer.com

500 Bayview Avenue, Inwood, NY 11096
 Toll Free 866-239-5777 • Tel 516-239-5777 • Fax 516-239-7208
 sales@signaltransformer.com • techhelp@signaltransformer.com