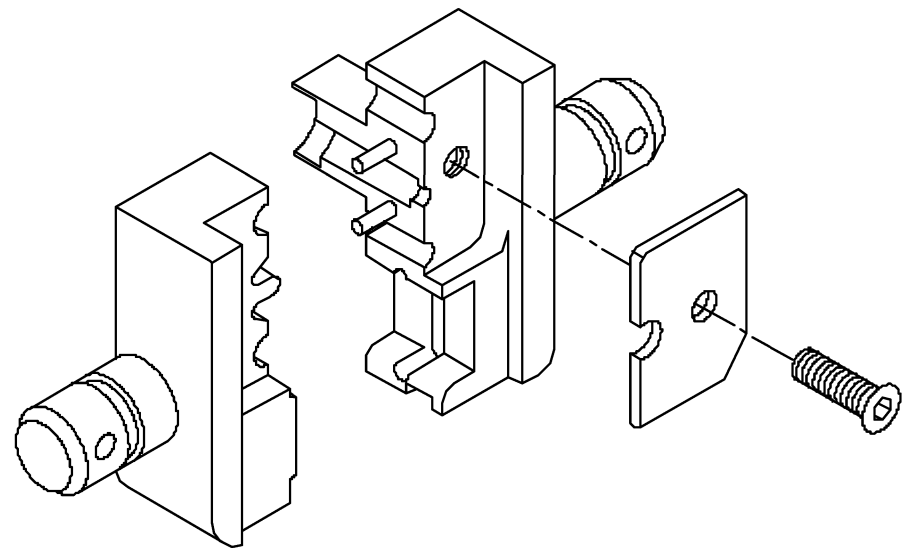
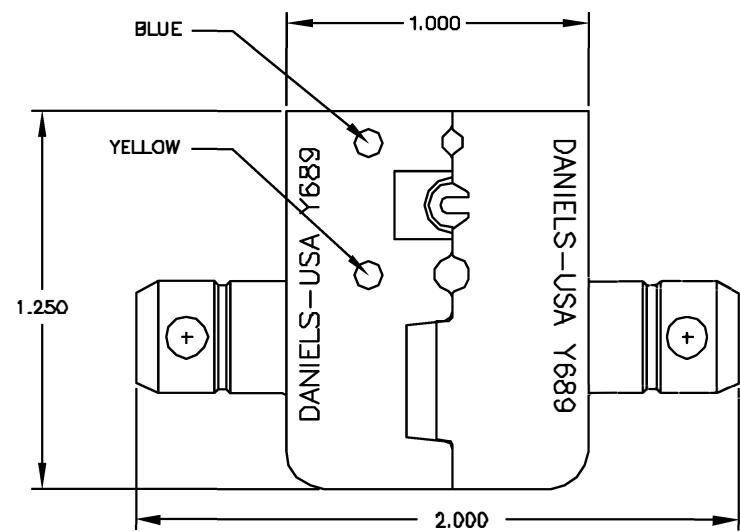


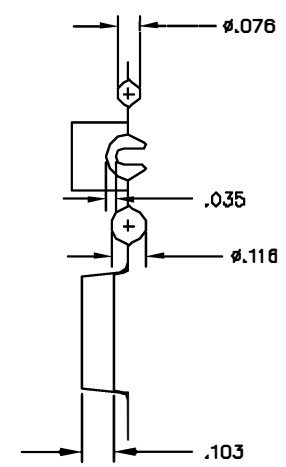
REVISIONS				
REV. SYM.	P.D. NUMBER	DESCRIPTION	BY DATE	APP'D DATE
1		ORIGINAL RELEASE	JWS 8/16/89	PD 8/20



ISOMETRIC VIEW



COLOR CODING



GAGING DIMENSIONS

**UNCONTROLLED DOCUMENT  
WILL NOT BE UPDATED**

1. FUNCTIONAL EQUIVALENT: T & B WT157N

NOTES:

<b>RESTRICTED &amp; CONFIDENTIAL</b> CONFIDENTIAL PROPERTY OF DANIELS MANUFACTURING CORP. NOT TO BE DISCLOSED TO OTHERS, REPRODUCED OR USED FOR ANY OTHER PURPOSE, EXCEPT AS AUTHORIZED IN WRITING BY DANIELS MANUFACTURING CORP. ON COMPLETION OF ORDER OR OTHER PURPOSE FOR WHICH INTD.	MATERIAL	ITEM	PART NO.	QTY.	DESCRIPTION/REMARKS				
	HEAT TREAT	DRG.	JES	DATE 8/14/89	<b>DMC</b> DANIELS MANUFACTURING CORP. ORELANDO, FLORIDA CASE 71851				
	FINISH	CHK'D.	PD	DATE 8/16/89					
	DO NOT SCALE DRAWING		APPL.	AAM	DATE 8/16/89	TITLE DIE SET			
					WHERE USED:				
		SIZE	C	SCALE	3X	DWG FILE NO	Y889-ENV	SHEET OF	1 1
		POSTING				P/AI	Y689-ENV	REV.	1