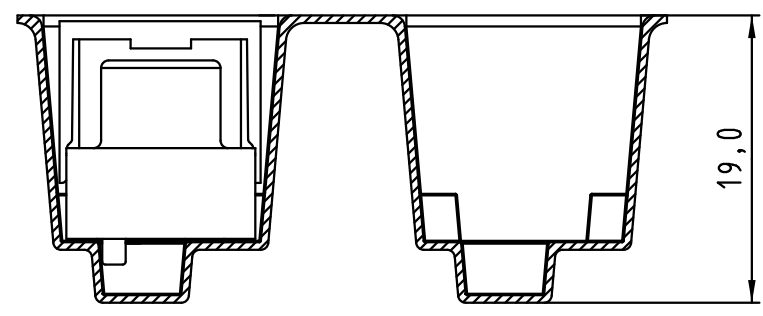


Max. Temperature: 260° during 10 seconds.

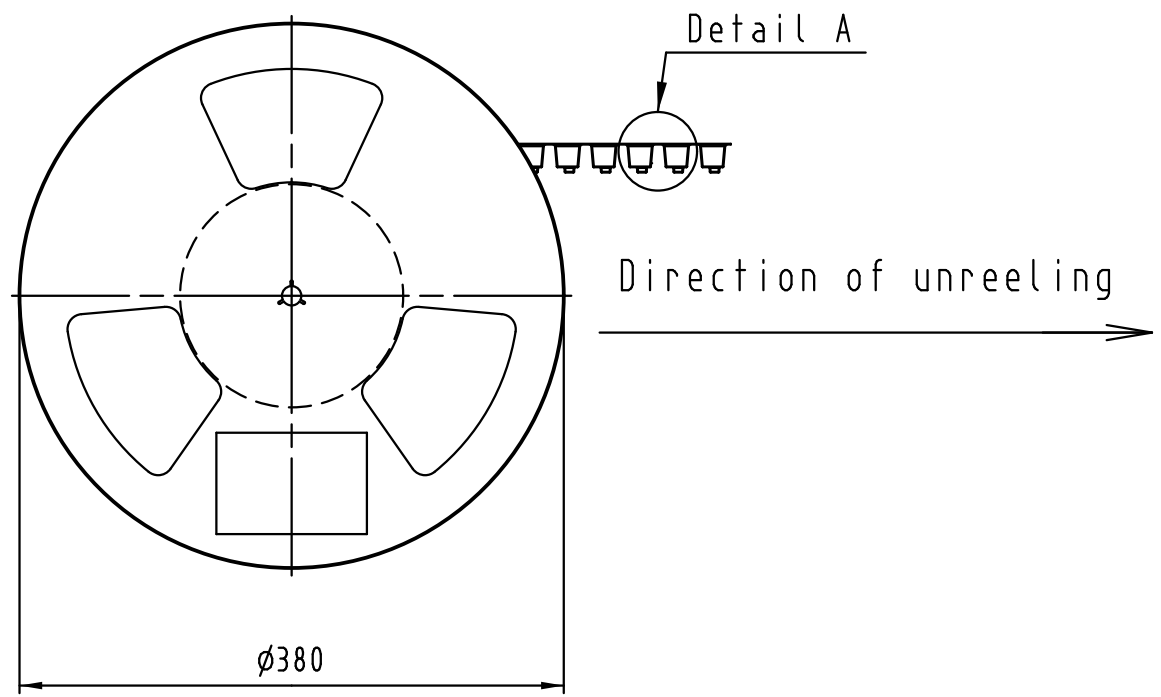
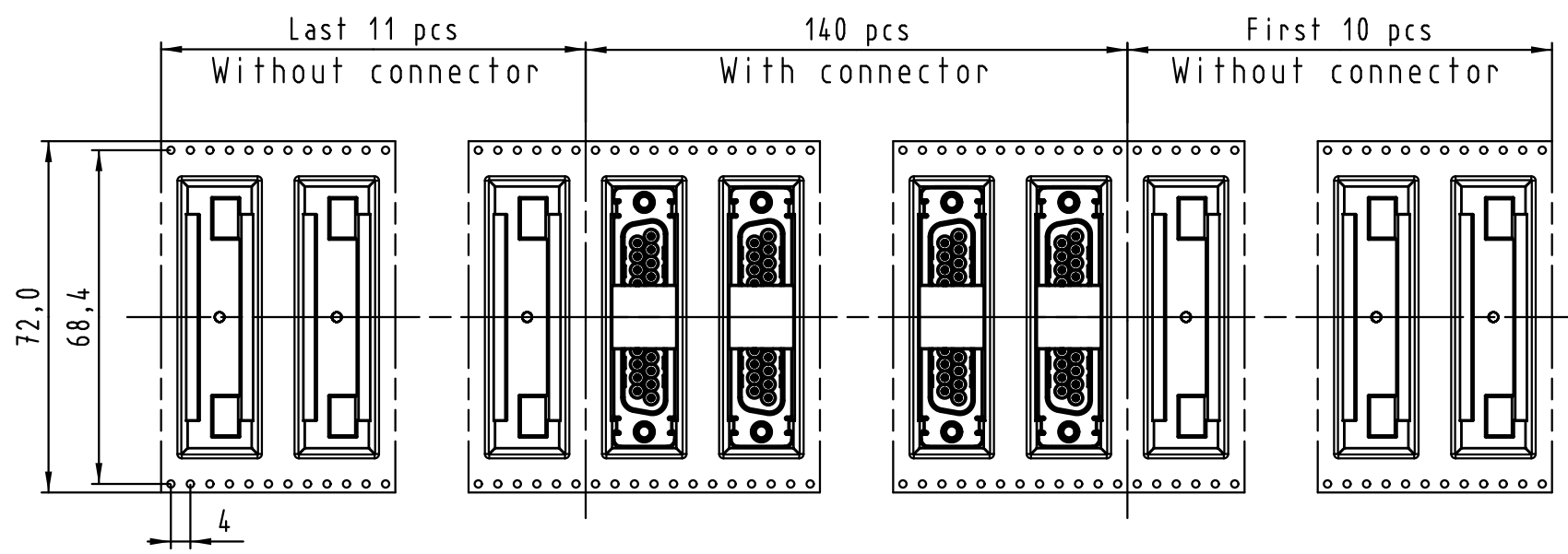
| | | | | |
|-------------------|---|----------|-----------------|--|
| 0955 329 3821 741 | 1 | M3 | Black insulator | Reel Packaging: 140 connectors (See details on page 2/2) |
| 0955 329 3822 741 | 1 | 4-40 UNC | | |
| 0955 329 6821 741 | 2 | M3 | | |
| 0955 329 6822 741 | 2 | 4-40 UNC | | |
| 0955 329 7821 741 | 3 | M3 | | |
| 0955 329 7822 741 | 3 | 4-40 UNC | | |

| | | | | | |
|---|-----------|----------------------|------------------------|---|----------|
| Part number | | PL | Screw lock | Index designation | |
| Techn. Character. | | Free size tolerances | | D-Sub SMT, 25 poles Male, Straight with screw locks and ground pads | |
| All Dimensions in mm Original Size DIN A 3 | | Scale | | | |
| Detail. | 25-Oct-11 | Johnson.S | 2:1 | | |
| Insp. | 17-Nov-11 | Steven.W | | | |
| Stand. | 17-Nov-11 | Steven.W | | | |
| EC04070 | 17-Nov-11 | Johnson.S | Zhuhai HARTING Limited | TB 09 55 329 x82x | Page 1/2 |
| Mod. | Dat. | Name | | Sub. | |

PCB layout, component side

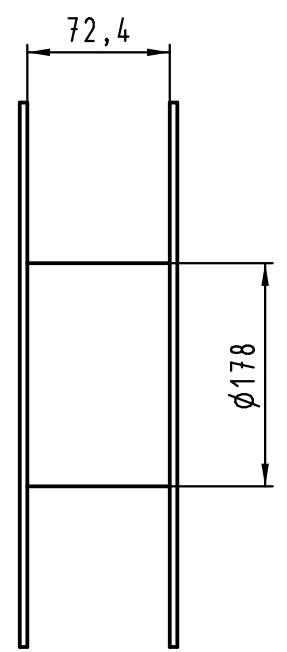


Detail A



Detail A

Direction of unreeling



See TB 09 55 329 x82x folio 1/2 for connector dimensions and PCB layout

Packaging in accordance with EIA 481-2.

| | | | | |
|-------------------|----|------------|-------------------|-----------------------------------|
| 0955 329 3821 741 | 1 | M3 | Black insulator | Reel Packaging: 140 connectors |
| 0955 329 3822 741 | 1 | 4-40 UNC | | |
| 0955 329 6821 741 | 2 | M3 | | |
| 0955 329 6822 741 | 2 | 4-40 UNC | | |
| 0955 329 7821 741 | 3 | M3 | | |
| 0955 329 7822 741 | 3 | 4-40 UNC | | |
| Part number | PL | Screw lock | Index designation | |

| | | | | | | | | |
|---------|--|--|-------------------|--|-----------|----------------------|---|--|
| | | | Techn. Character. | | | Free size tolerances | | |
| | | | Dat. | | Name | | Scale | |
| | | | Detail. 25-Oct-11 | | Johnson.S | | D-Sub SMT, 25 poles Male, Straight with screw locks and ground pads | |
| | | | Insp. 17-Nov-11 | | Steven.W | | | |
| | | | Stand. 17-Nov-11 | | Steven.W | | | |
| EC04070 | | | 17-Nov-11 | | Johnson.S | | Zhuhai HARTING Limited | |
| Mod. | | | Dat. | | Name | | TB 09 55 329 x82x | |
| | | | | | | | Sub. | |

All rights reserved