

THIS DRAWING IS UNPUBLISHED. RELEASED FOR PUBLICATION  
 © COPYRIGHT - By - ALL RIGHTS RESERVED.

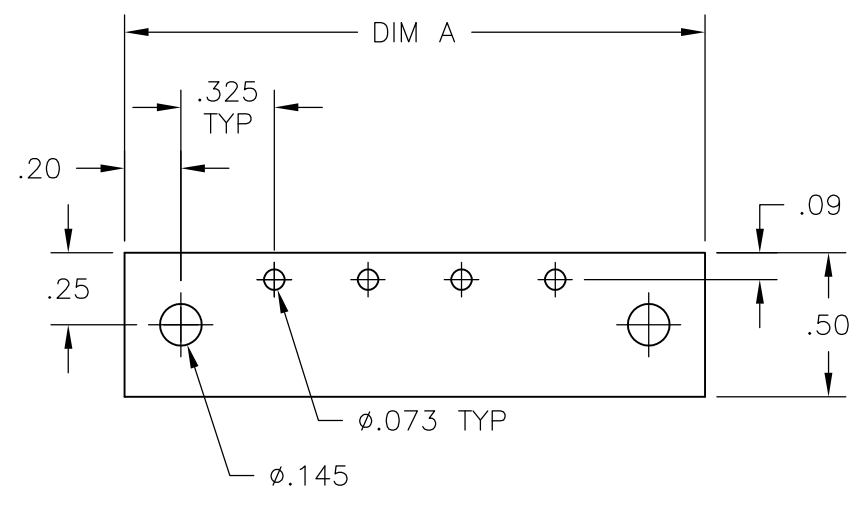
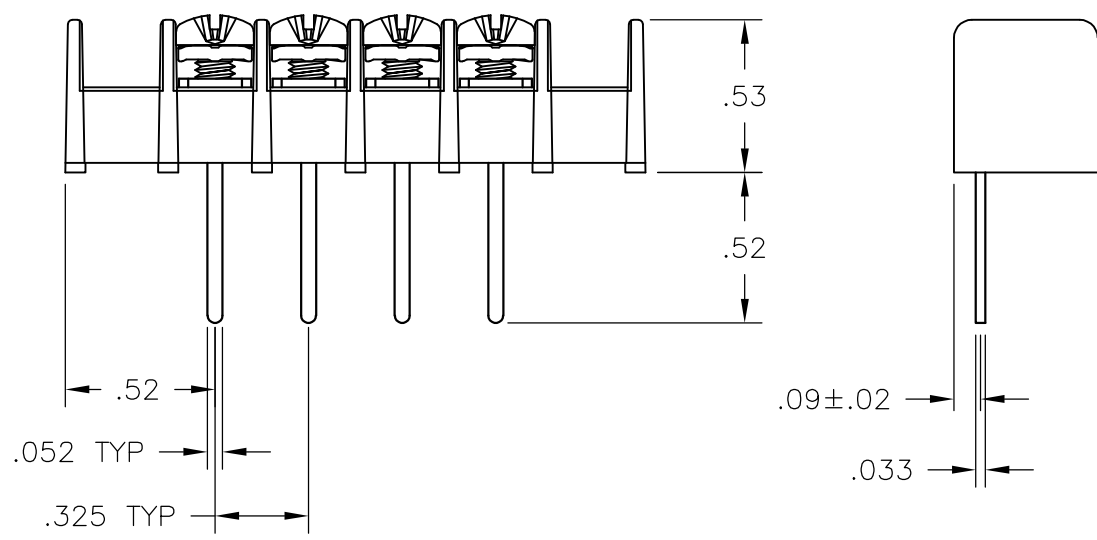
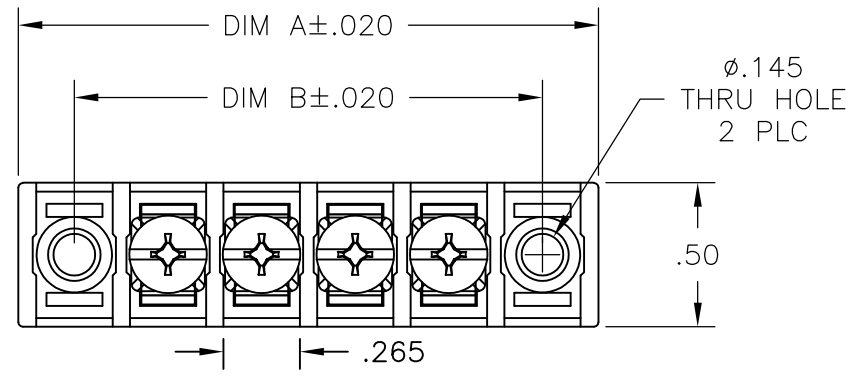
LOC	DIST	REVISIONS					
FT	0	P	LTR	DESCRIPTION	DATE	DWN	APVD
			B1	OBSOLETE PART NUMBERS 15 POSITION AND ABOVE	09APR2015	CR	PS

**MATERIALS:**  
 HOUSING: THERMOPLASTIC PA, UL94V-0, BLACK.  
 TERMINALS: BRIGHT TIN PLATED, COPPER ALLOY.  
 SCREWS: 6-32, STEEL, ZINC PLATED W/ CLEAR CHROMATE.

**ELECTRICAL:**  
 UL CLASS C: 20A, 150V.  
 UL CLASS D: 10A, 300V.  
 CSA TYPE B: 20A, 300V.  
 CSA TYPE C: 20A, 300V.  
 CSA TYPE D: 10A, 300V.  
 CSA TYPE E: 20A, 300V.  
 WIRE RANGE: 12-22 AWG

**MECHANICAL:**  
 OPERATING TEMP.: -40° TO +105°C  
 RECOMMENDED TIGHTENING TORQUE: 7 IN-LBS.

1 OBSOLETE PARTS.



RECOMMENDED PCB LAYOUT

1	9.425	9.815	28	4DB-W208-28	2-1546461-8
1	9.100	9.490	27	4DB-W208-27	2-1546461-7
1	8.775	9.165	26	4DB-W208-26	2-1546461-6
1	8.450	8.840	25	4DB-W208-25	2-1546461-5
1	8.125	8.515	24	4DB-W208-24	2-1546461-4
1	7.800	8.190	23	4DB-W208-23	2-1546461-3
1	7.475	7.865	22	4DB-W208-22	2-1546461-2
1	7.150	7.540	21	4DB-W208-21	2-1546461-1
1	6.825	7.215	20	4DB-W208-20	2-1546461-0
1	6.500	6.890	19	4DB-W208-19	1-1546461-9
1	6.175	6.565	18	4DB-W208-18	1-1546461-8
1	5.850	6.240	17	4DB-W208-17	1-1546461-7
1	5.525	5.915	16	4DB-W208-16	1-1546461-6
1	5.200	5.590	15	4DB-W208-15	1-1546461-5
	4.875	5.265	14	4DB-W208-14	9-1437667-8
	4.550	4.940	13	4DB-W208-13	1-1546461-3
	4.225	4.615	12	4DB-W208-12	1-1546461-2
	3.900	4.290	11	4DB-W208-11	1-1546461-1
	3.575	3.965	10	4DB-W208-10	1-1546461-0
	3.250	3.640	9	4DB-W208-09	9-1437667-7
	2.925	3.315	8	4DB-W208-08	9-1437667-6
	2.600	2.990	7	4DB-W208-07	1546461-7
	2.275	2.665	6	4DB-W208-06	1546461-6
	1.950	2.340	5	4DB-W208-05	1546461-5
	1.625	2.015	4	4DB-W208-04	9-1437667-5
	1.300	1.690	3	4DB-W208-03	9-1437667-4
	.975	1.365	2	4DB-W208-02	9-1437667-3

DIM B	DIM A	NO OF POS	CATALOG NUMBER	TE PART NO.
-------	-------	-----------	----------------	-------------

THIS DRAWING IS A CONTROLLED DOCUMENT.		DWN	S SCHLEGEL	10/23/06	<b>STE</b> TE Connectivity		
DIMENSIONS: INCHES		CHK	S YODER	10/20/06			
TOLERANCES UNLESS OTHERWISE SPECIFIED:		APVD	S YODER	10/20/06	NAME		
0 PLC	± -	PRODUCT SPEC		4DB SERIES			
1 PLC	± -	APPLICATION SPEC		W208 STYLE			
2 PLC	± .01	SIZE	A3	CAGE CODE	00779	DRAWING NO	C-9-1437667-4
3 PLC	± .005	WEIGHT		RESTRICTED TO		-	
4 PLC	± -	MATERIAL		SCALE		NTS	
ANGLES	± 2'	FINISH		SHEET		1 OF 1	
-		-		REV		B1	