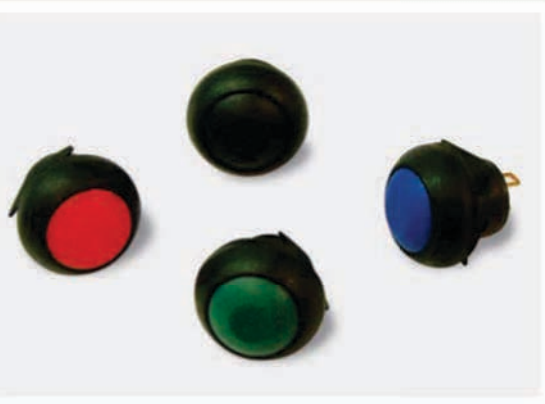


# SERIES RP8100 SWITCHES

## PUSHBUTTON SWITCHES - ROUND ILLUMINATED



### FEATURES & BENEFITS

- ▶ Threaded or snap in panel mount
- ▶ Extended Operating life-500k cycles
- ▶ LED illuminated option
- ▶ Sealed to IP67

### APPLICATIONS/MARKETS

- ▶ Telecommunications
- ▶ Audio
- ▶ Appliance
- ▶ Instrumentation
- ▶ Consumer Electronics

### SPECIFICATIONS

Contact Rating:	125mA @ 125 VAC 100mA @ 50 VDC
Life Expectancy (Electrical):	500,000 cycles at full load
Contact Resistance:	50 mΩ max (initial)
Insulation Resistance:	1,000 MΩ min. @ 500VDC
Dielectric Strength:	1,000 VAC rms.
Operating Force:	350 gf ±150 gf
Operating Temperature:	-30°C to +85°C
Contact Bounce:	10ms MAX
Travel:	1.5mm

### MATERIALS

Housing:	Nylon
Button:	Nylon
Terminal Case:	Thermo plastic
Terminals:	Copper alloy, plated
Contact:	Copper alloy, plated

### HOW TO ORDER

SERIES	MODEL NO.	BUSHING	TERMINATION	CONTACT MATERIAL	SEAL	HOUSING COLOR	CAP COLOR	LED COLOR
RP	8100	B1 = Snap In B2 = Threaded (12 x .75)	M1 (Std)	C = Gold over silver	E = Epoxy (Std)	BLK = Black (Std)	WHT=White BLK=Black RED=Red ORG=Orange YEL=Yellow GRN=Green BLU=Blue BRW=Brown GRY=Gray	WHT=White RED=Red YEL=Yellow GRN=Green BLU=Blue NIL=Non ILL

### Example Ordering Number

RP-8100-B1-M1-C-E-BLK-RED-RED

Specifications subject to change without notice.

TACT SWITCHES

NAVIGATION SWITCHES

PUSHBUTTON SWITCHES

TOGGLE SWITCHES

ROCKER SWITCHES

SLIDE SWITCHES

SNAP-ACTION SWITCHES

DIP SWITCHES

KEYLOCK SWITCHES

ROTARY SWITCHES

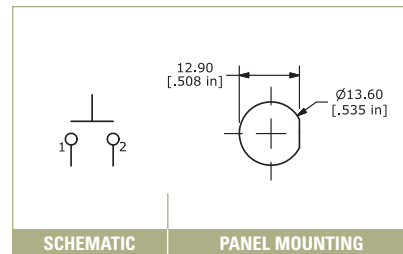
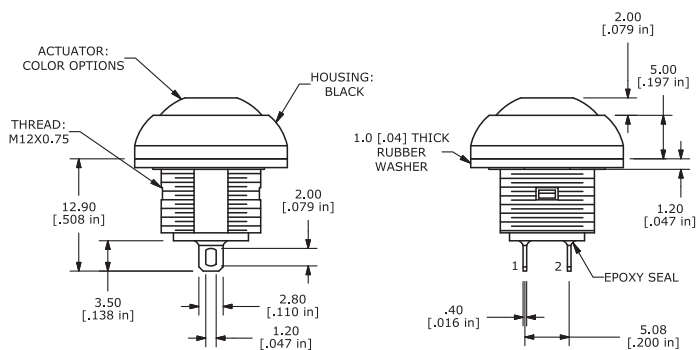
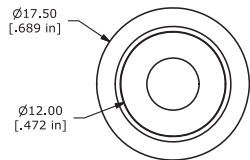
DETECTOR SWITCHES

CAP. OPTIONS



# RP 8100

## THREADED

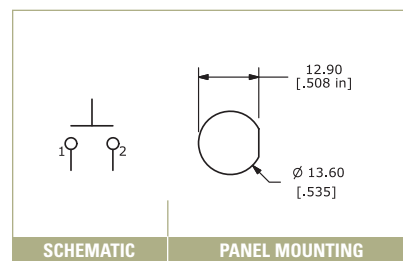
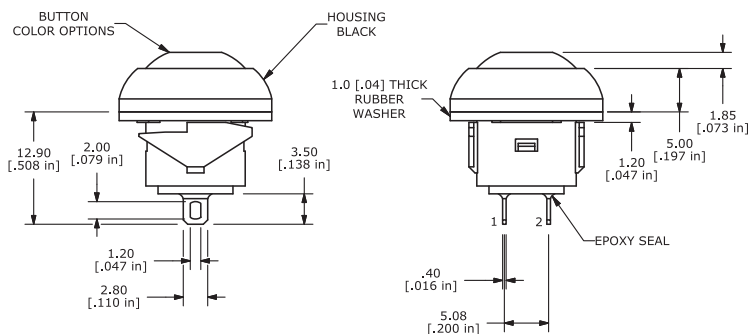
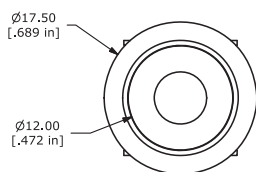


SCHEMATIC

PANEL MOUNTING

# RP 8100

## SNAP-IN



SCHEMATIC

PANEL MOUNTING

TACT SWITCHES

NAVIGATION SWITCHES

PUSHBUTTON SWITCHES

TOGGLE SWITCHES

ROCKER SWITCHES

SLIDE SWITCHES

SNAP-ACTION SWITCHES

DIP SWITCHES

KEYLOCK SWITCHES

ROTARY SWITCHES

DETECTOR SWITCHES

CAP OPTIONS



# SERIES RP8100 SWITCHES

## PUSHBUTTON SWITCHES - ILLUMINATED

TACT SWITCHES

NAVIGATION SWITCHES

PUSHBUTTON SWITCHES

TOGGLE SWITCHES

ROCKER SWITCHES

SLIDE SWITCHES

SNAP-ACTION SWITCHES

DIP SWITCHES

KEYLOCK SWITCHES

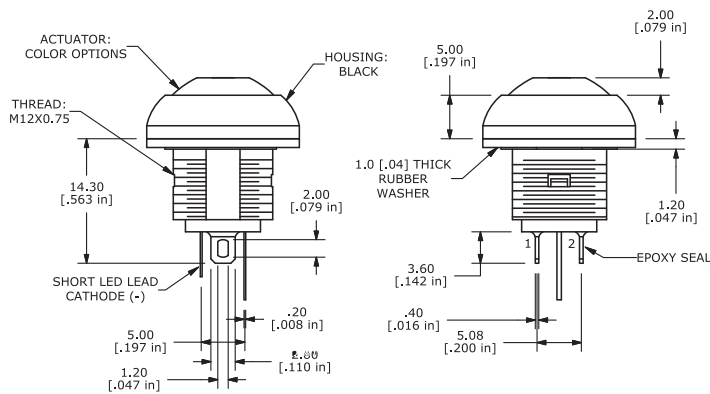
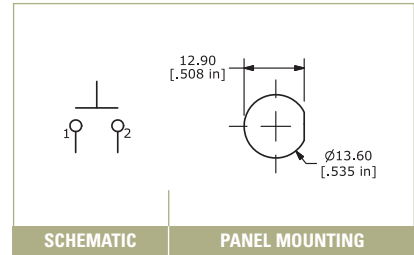
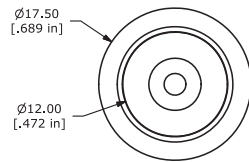
ROTARY SWITCHES

DETECTOR SWITCHES

CAP OPTIONS

### RP 8100

#### LED THREADED



### RP 8100

#### LED SNAP-IN

