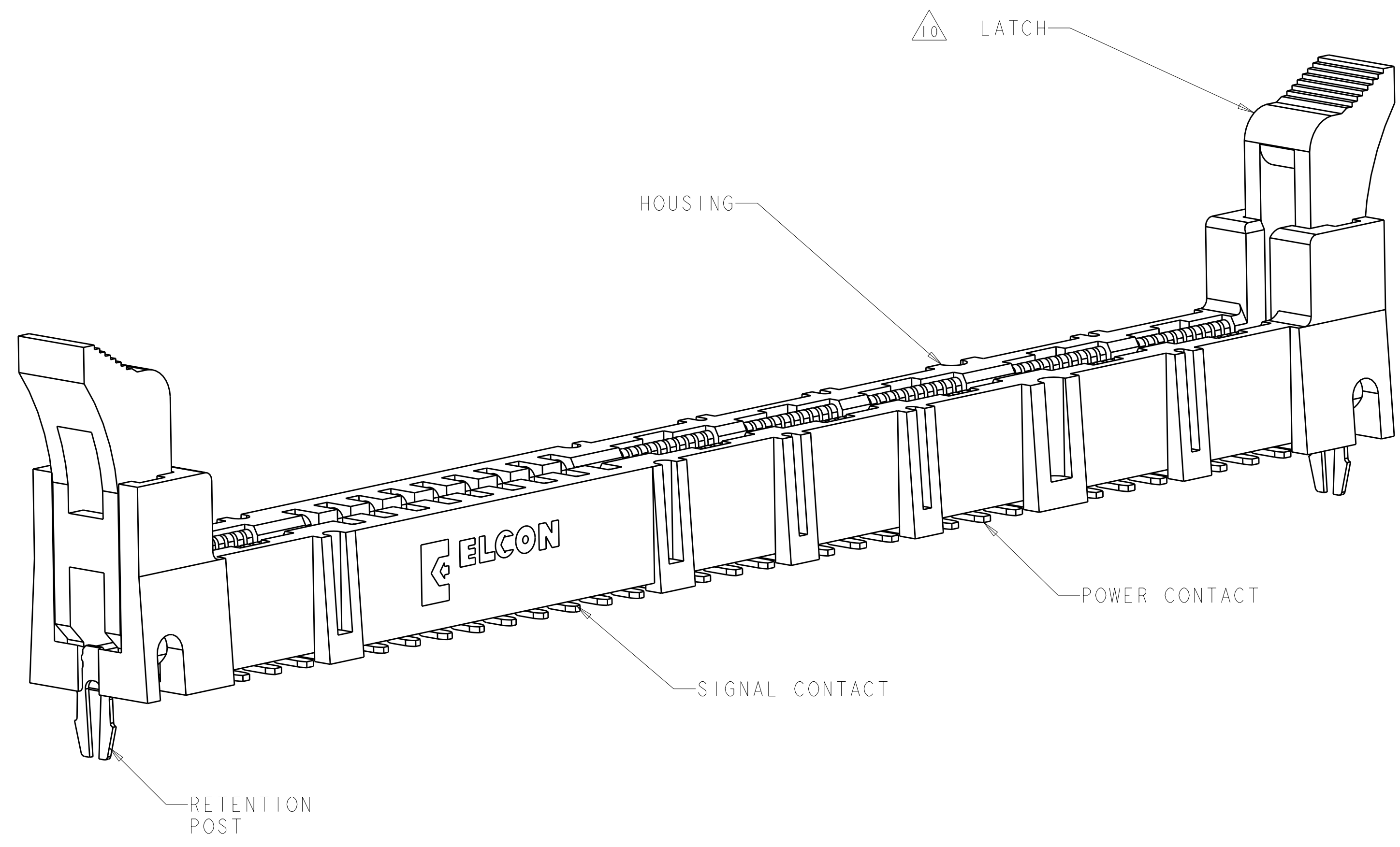


LOC	DIST	REVISIONS			
GP	00	REV	DATE	BY	APPROV
		C	REV PER ECO-08-031583	19DEC2008	RG PD



1. PART NUMBER CHANGES AND OR DESIGN CHANGES AFFECTING ITEM INTERCHANGEABILITY REQUIRE PRIOR TYCO ELECTRONICS APPROVAL AND AUTHORIZATION BY REVISION TO THIS DRAWING.

2. MATERIAL:  
 HOUSING: GLASS FILLED POLYESTER, COLOR-BLACK  
 UL94V-0 FLAMMABILITY RATED  
 LATCHES: THERMOPLASTIC, GLASS REINFORCED  
 COLOR: BLACK, UL94V-0 FLAMMABILITY RATED  
 CONTACTS: COPPER ALLOY  
 RETENTION POST: COPPER ALLOY

3. FINISH:  
 SIGNAL CONTACTS:  
 MATING AREA-0.76µm MIN GOLD OVER 3.81µm MIN NICKEL  
 0.64µm MIN NICKEL PLATE OVER REMAINDER  
 SMT TAILS-3.81µm MIN MATTE TIN OVER NICKEL PLATE  
 POWER CONTACTS:  
 1.27µm MIN NICKEL PLATE ALL OVER  
 MATING AREA-0.76µm MIN GOLD OVER NICKEL PLATE  
 SMT TAILS-3.05µm MIN TIN OVER NICKEL PLATE  
 RETENTION POSTS:  
 3.05µm MIN MATTE TIN OVER 0.63µm MIN NICKEL

4. ITEMS PROVIDED TO THIS SPECIFICATION TO BE PERMANENTLY IDENTIFIED WITH PART NUMBER AND DATE CODE.

5. MAXIMUM BURR OF 0.013 ON CARD TAB AREA.

6. SET TRACE BACK FROM PC BOARD EDGE. NO SOLDERMASK ALLOWED BETWEEN PC BOARD EDGE AND TRACE.

7. CONNECTOR ACCEPTS 1.57±0.13 THICK PC BOARD.

8. KEEP OUT AREA FOR COMPONENTS ONLY.

9. FEATURE REQUIRED FOR USE WITH LATCH.

10. CAUTION:  
 LATCHES ARE INTENDED FOR RETENTION OF PC BOARD TO CONNECTOR. DO NOT ATTEMPT TO FULLY EJECT PC BOARD FROM CONNECTOR WHILE DISENGAGING LATCHES, DAMAGE TO LATCHES AND OR CONNECTOR MAY OCCUR.

11. RECOMMENDED GOLD FINGER LENGTH FOR RELIABLE CONTACT.

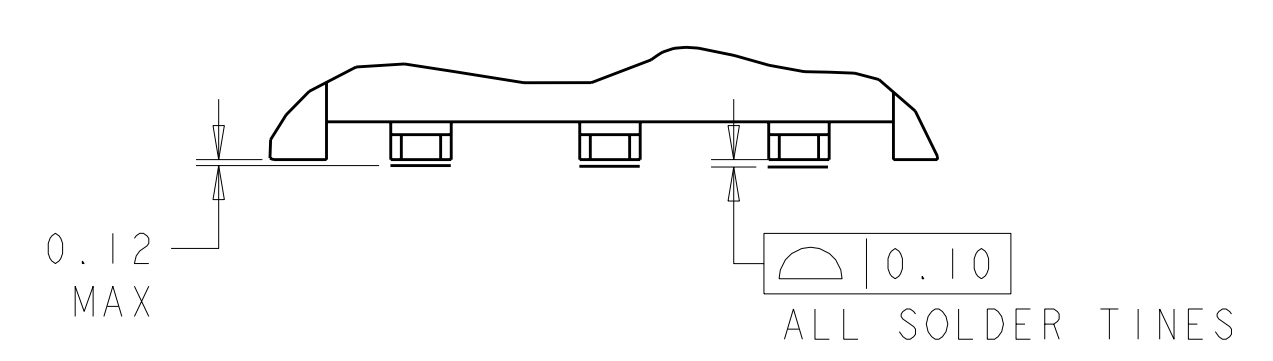
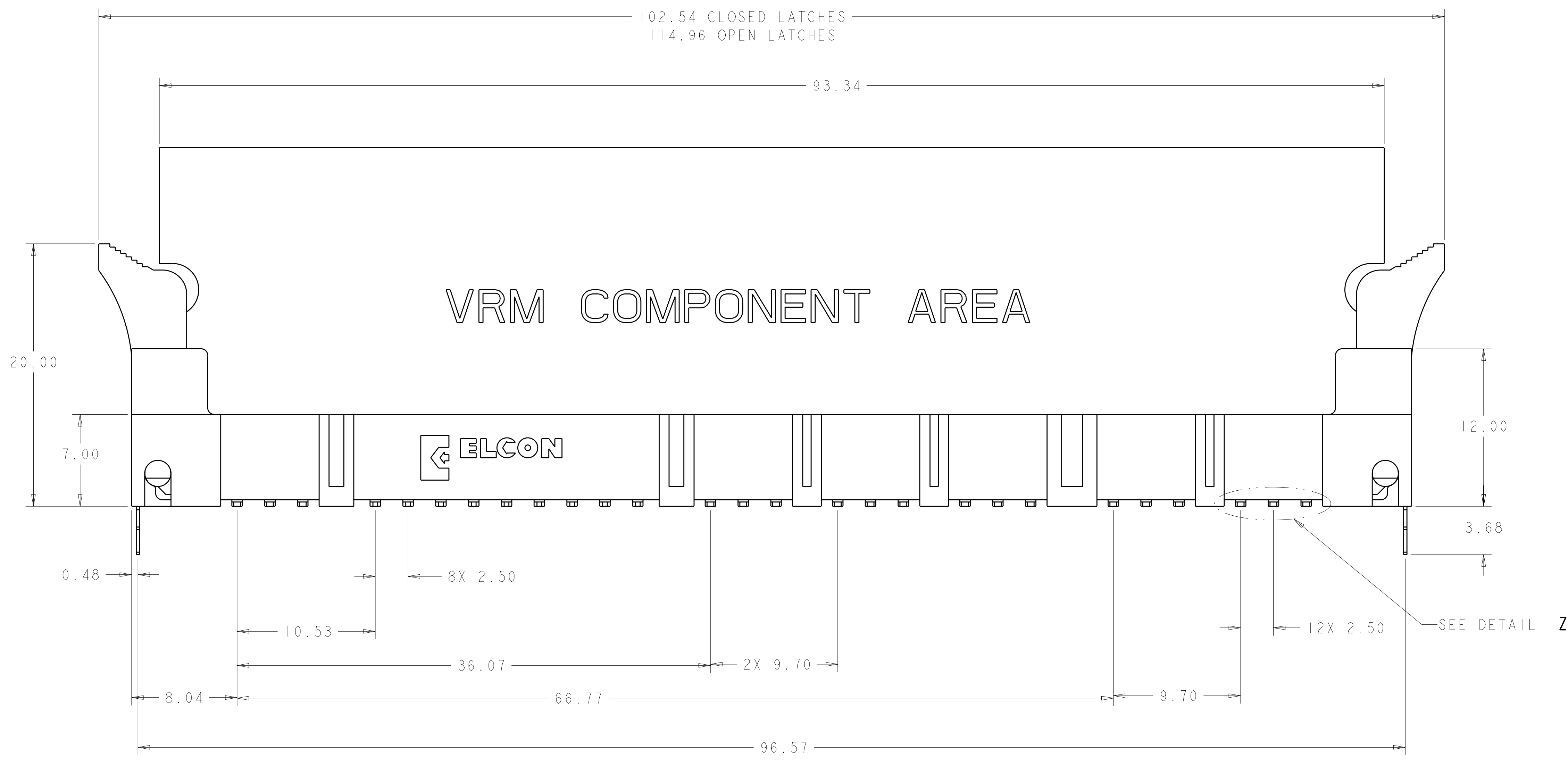
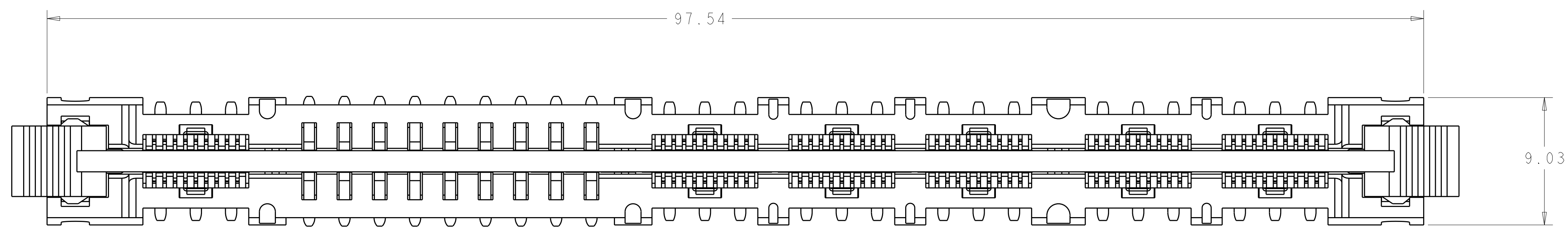
12. DATUMS AND BASIC DIMENSIONS ESTABLISHED BY CUSTOMER.

13. FOR DESIGN OBJECTIVES SEE 108-2301.

AS SHOWN	1766336-1
DESCRIPTION	PART NO.

<small>THIS DRAWING IS UNPUBLISHED. RELEASED FOR PUBLICATION BY TYCO ELECTRONICS CORPORATION. ALL RIGHTS RESERVED.</small>		DWN: HA/GRZYBOWSKI 01/25/05 CHK: P. DAMATO APVD: CHAU/PERCHERRE 06/28/06	Tyco Electronics Harrisburg, PA 17105-3608
DIMENSIONS: mm 	TOLERANCES UNLESS OTHERWISE SPECIFIED: 9 PLC ±.5 2 PLC ±.25 5 PLC ±.25 4 PLC ±.25 ANGLES ±0.0000 FINISH ±.5	NAME: SOCKET CONNECTOR ASSEMBLY W/LATCHES MC-P6S9 MINI CROWN EDGE PRODUCT SPEC: APPLICATION SPEC: WEIGHT: CUSTOMER DRAWING	SIZE: A1100779 CAGE CODE: C=1766336 DRAWING NO: SCALE: 5:1 SHEET: 1 OF 4 REV: C

LOC	DIST	REVISIONS					
GP	00	P	LTB	DESCRIPTION	DATE	DWN	APVD
-	-	-	-	SEE SHEET 1	-	-	-

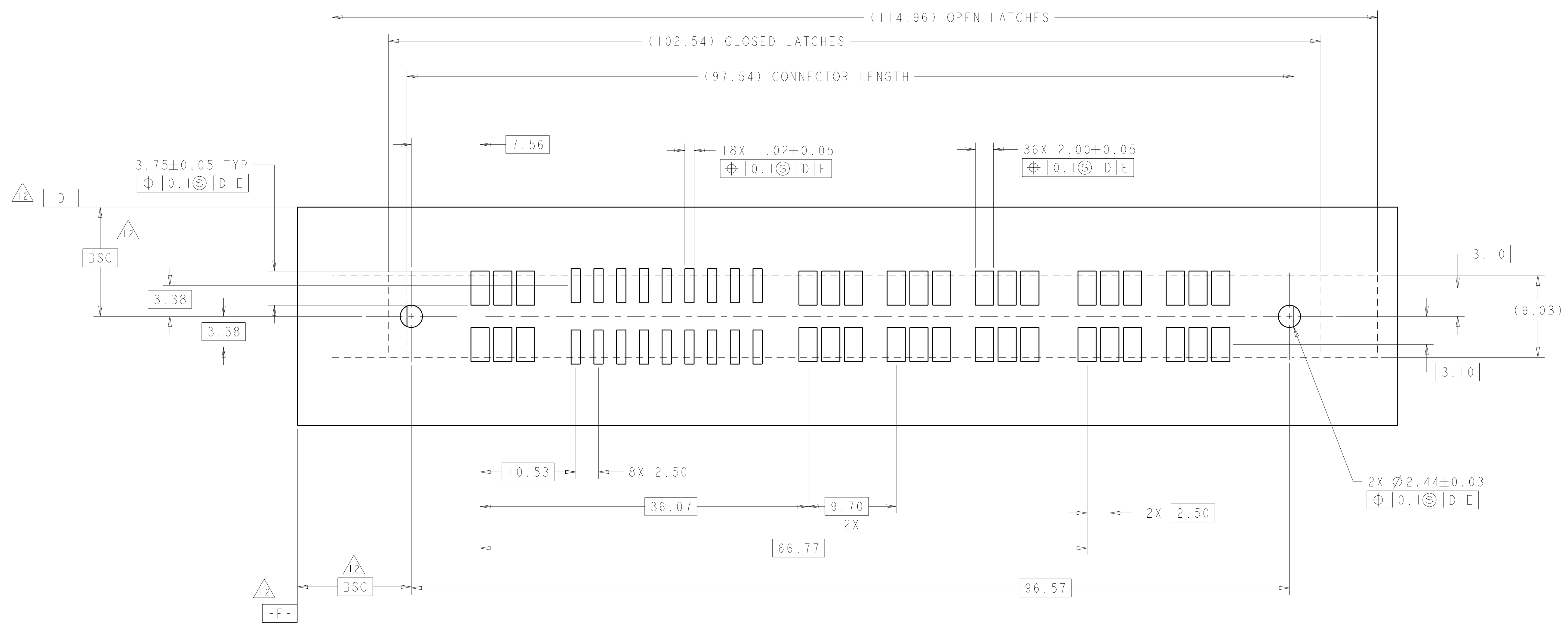


DETAIL Z  
SCALE 10:1

<small>THIS DRAWING IS UNPUBLISHED. RELEASED FOR PUBLICATION BY TYCO ELECTRONICS CORPORATION. ALL RIGHTS RESERVED. THIS IS SUBJECT TO CHANGE WITHOUT NOTICE AND WITHOUT OBLIGATION. DIMENSIONS ARE GIVEN IN MILLIMETERS UNLESS OTHERWISE SPECIFIED.</small>		DWN HA/GRZYBOWSKI 01/25/05 CHK P.DAMATO APVD CHAU/PERCHERAE 06/28/06 PRODUCT SPEC APPLICATION SPEC WEIGHT CUSTOMER DRAWING	Tyco Electronics Harrisburg, PA 17105-3608 NAME SOCKET CONNECTOR ASSEMBLY W/LATCHES MC-P6S9 MINI CROWN EDGE SIZE CAGE CODE DRAWING NO. RESTRICTED TO A100779C-1766336 SCALE 5:1 SHEET 2 OF 4 REV C
DIMENSIONS: mm 	TOLERANCES UNLESS OTHERWISE SPECIFIED: 9 PLC ±.5 1 PLC ±.5 3 PLC ±.25 4 PLC ±.0000 FINISH ±.5		



LOC	DIST	REVISIONS			
GP	00	REV	DATE	DWN	APVD
-	-	SEE SHEET 1	-	-	-



RECOMMENDED SOLDER LAND GUIDELINE  
 AS VIEWED FROM CONNECTOR SIDE

<small>THIS DRAWING IS UNPUBLISHED. RELEASED FOR PUBLICATION BY TYCO ELECTRONICS CORPORATION. ALL RIGHTS RESERVED.</small>		DWN HA/GRZYBOWSKI 01/25/05 CHK P.DAMATO APVD CHAU/PERCHERAE 06/28/06	Tyco Electronics Harrisburg, PA 17105-3608
DIMENSIONS: mm 	TOLERANCES UNLESS OTHERWISE SPECIFIED: 9 PLC ±.5 2 PLC ±.25 5 PLC ±.25 4 PLC ±0.0001 ANGLES ±.5 FINISH	NAME SOCKET CONNECTOR ASSEMBLY W/LATCHES MC-P6S9 MINI CROWN EDGE	SIZE CAGE CODE DRAWING NO A100779C-1766336
MATERIAL	FINISH	WEIGHT	RESTRICTED TO
-	-	-	-
CUSTOMER DRAWING		SCALE 5:1	SHEET 4 OF 4 REV C