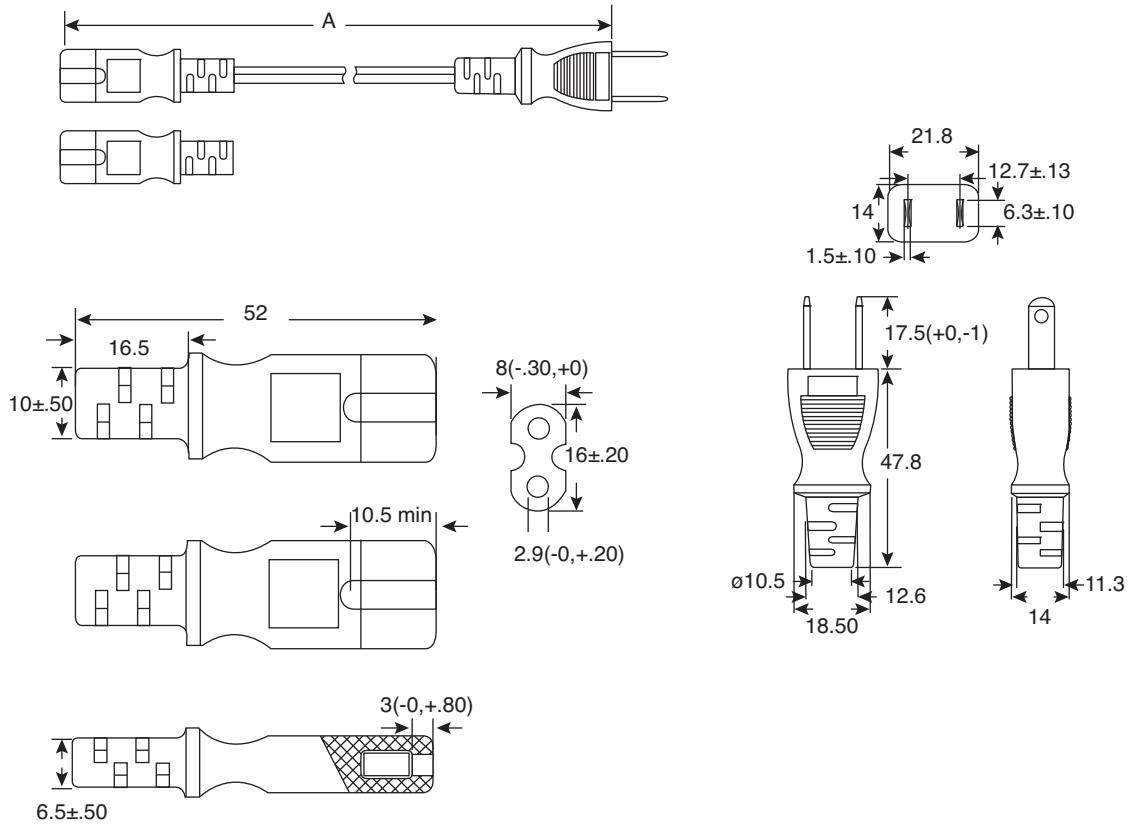


AC Power Cord

173-21106-E, 173-21110-E



AC Power Cord



Dimensions: mm

SPECIFICATIONS	
Type:	Power Supply
Plug Rating:	7A/125V
Connector Rating:	2.5/250V
Cable:	.VFF, 2 Conductors x .75mm ² 24/0.2
Length (Dimension A):	173-21106-E: 6'; 173-21110-E: 10'
Color:	Black
RoHS Compliant	

173-21106-E, 173-21110-E

Date Last Revised: 8/9/10

Available from Mouser Electronics
1-800-346-6873 / www.mouser.com

KC-301386

Specifications are subject to change without notice. No liability or warranty implied by this information. Environmental compliance based on producer documentation.