

THIS DRAWING IS UNPUBLISHED.

RELEASED FOR PUBLICATION

---

LOC

DIST

REVISIONS

© COPYRIGHT - By -

ALL RIGHTS RESERVED.

AD

00

P

LTR

DESCRIPTION

DATE

DWN

APVD

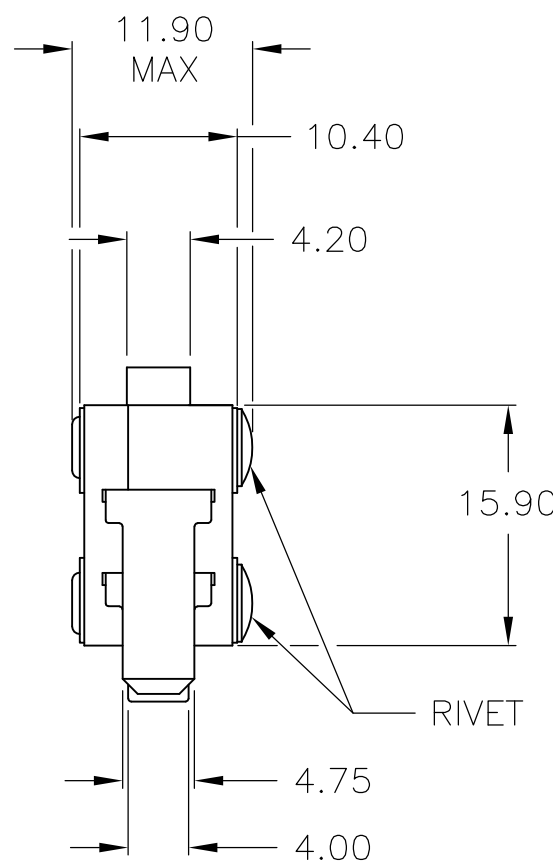
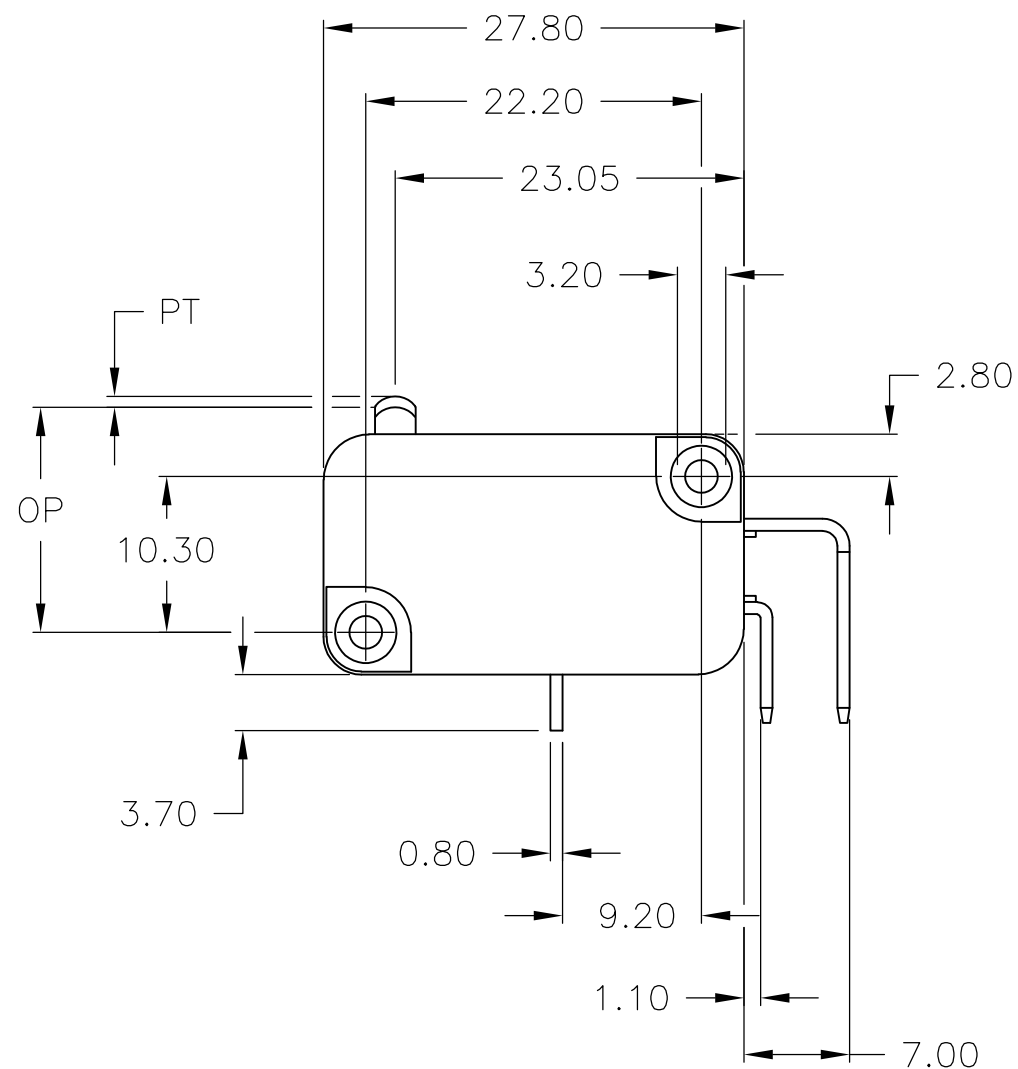
A1

REVISED PER ECO-12-020403

21NOV12

KH

PO




SPECIFICATIONS:

- MATERIAL OF BASE: P.B.T.
- MATERIAL OF COVER: P.B.T.
- RATING: 10A 250VAC MAX
- INSULATION RESISTANCE: 100M MIN(@500 VDC)
- DIELECTRIC STRENGTH: 2000 VAC FOR 60 SECONDS
- OF: 200g MAX
- RF: 50g MIN
- PT: 1.4mm MAX
- OT: 0.8mm MIN
- MD: 0.5mm MAX
- FP: 15.7mm MAX
- OP: 14.7±0.5mm

NOTE:

- 1. PARTS TO BE RoHS COMPLIANT

1517266-1  
PART NUMBER

THIS DRAWING IS A CONTROLLED DOCUMENT.		DWN KIRAN HOLAL 07DEC11	 <b>TE Connectivity</b>														
DIMENSIONS: mm		CHK OTT PETER 07DEC11															
TOLERANCES UNLESS OTHERWISE SPECIFIED:		APVD OTT PETER 07DEC11	NAME MICRO SWITCH														
<table border="0"> <tr><td>0 PLC</td><td>± -</td></tr> <tr><td>1 PLC</td><td>± -</td></tr> <tr><td>2 PLC</td><td>± 0.20</td></tr> <tr><td>3 PLC</td><td>± -</td></tr> <tr><td>4 PLC</td><td>± -</td></tr> <tr><td>ANGLES</td><td>± -</td></tr> </table>		0 PLC	± -	1 PLC	± -	2 PLC	± 0.20	3 PLC	± -	4 PLC	± -	ANGLES	± -	PRODUCT SPEC -	RESTRICTED TO -		
0 PLC	± -																
1 PLC	± -																
2 PLC	± 0.20																
3 PLC	± -																
4 PLC	± -																
ANGLES	± -																
MATERIAL -		FINISH -	APPLICATION SPEC -	SIZE A3	CAGE CODE 00779	DRAWING NO C-1517266											
CUSTOMER DRAWING			WEIGHT -	SCALE 2:1	SHEET 1 OF 1	REV A1											