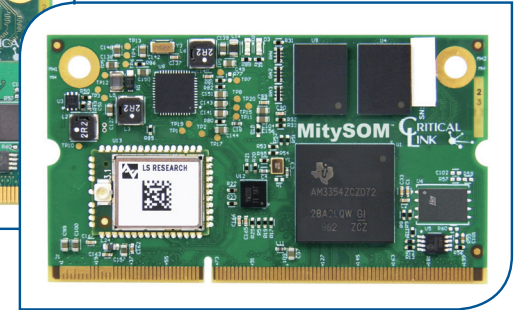
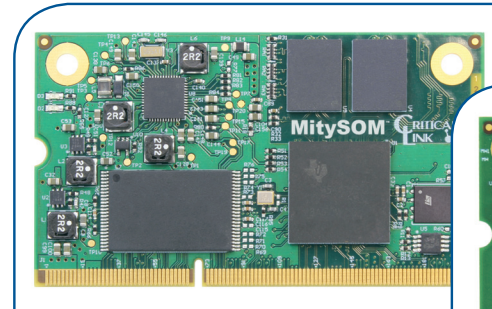


# MitySOM-335x™ System-on Modules

**Rapid product development optimizing schedule, cost, and development risk**

The MitySOM-335x is a family of highly-configurable, very small form-factor AM335x based modules, an embedded applications processing platform with support for a variety of communications interfaces and high-performance user interfaces. With multiple versions, the Cortex-A8 based MitySOM-335x family meets a broad range of processing, display, and communications requirements — including wireless — with a broad range of pricing options to meet every product design need.



The MitySOM-335x is optimized to speed your development of a robust, high quality product at a price point to fit within your cost targets. Critical Link provides superior product support and a life-cycle that ensures long-term availability.

Built for a wide range of applications

- Medical Systems
- Industrial Automation
- Industrial Instrumentation
- Scientific Instrumentation
- Custom Kiosks
- Weighing Scales
- Security Systems
- Building Automation
- Rich User Interfaces
- Measurement Devices
- Closed Loop Motor Control

**\*As low as \$49**

## Key Features

- ARM Cortex-A8 up to 1Ghz
- Integrated SGX530 3D graphics acceleration
- Fully integrated LSR TiWi-BLE module (optional)
  - Wi-Fi, Bluetooth, BLE
  - 802.11 b/g/n
  - RoHS compliant
  - FCC, IC, CE certified
- Onboard NOR, NAND, and DDR3
- Integrated power management
- Real-time embedded Linux, QNX and Windows Embedded Compact 7 support
- Industrial communications: EtherCAT, PROFIBUS, Profinet, Powerlink, Secos-III and Ethernet/IP
- Small form factor: 68mm x 38mm

- Standard SODIMM-204 Connector
- Industrial temperature -40°C to +85°C

## Peripheral Support:

- Dual gigabit Ethernet
- 24-bit WXGA LCD, touchscreen
- Integrated 12-bit 8-channel ADC
- USB (2), UART (6)
- CAN Bus (2)
- McASP (2), McSPI (2)
- eCAP (3), eQEP (3), eHRPWM (3)
- RTC, watchdog timer
- MMC/SD/SDIO (3)
- SPI (2), I2C (2), GPIO



# MitySOM-335x Development Kits

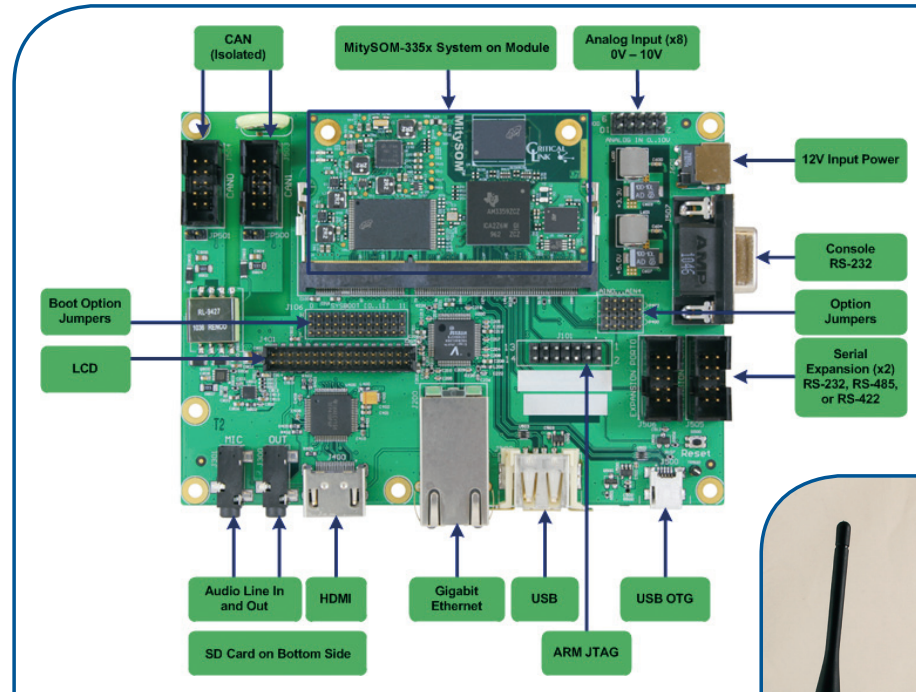


The MitySOM-335x Development Kit has all the necessary hardware and software to begin product development immediately, including a production-ready carrier board, Linux development environment, sample applications and a design guide for customizing the base board for your specific requirements.

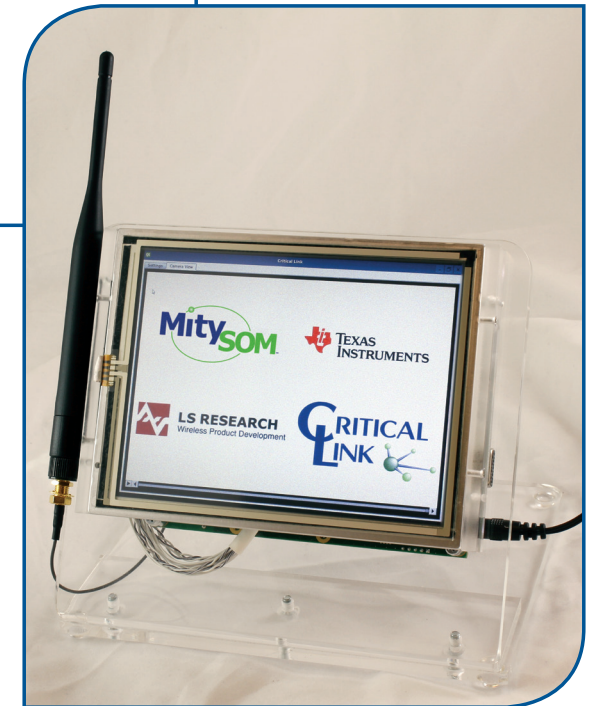
The MitySOM-335x Display and Wi-Fi Development Kit adds a 6.4" high resolution color touch screen display and Wi-Fi interface.

Developers can also work with Critical Link engineers to customize this board to meet specific application requirements.

Full technical datasheets are available for the MitySOM-335x and other members of the Critical Link SoM family, at [www.CriticalLink.com](http://www.CriticalLink.com).



Development Kit



Development Kit with Display

