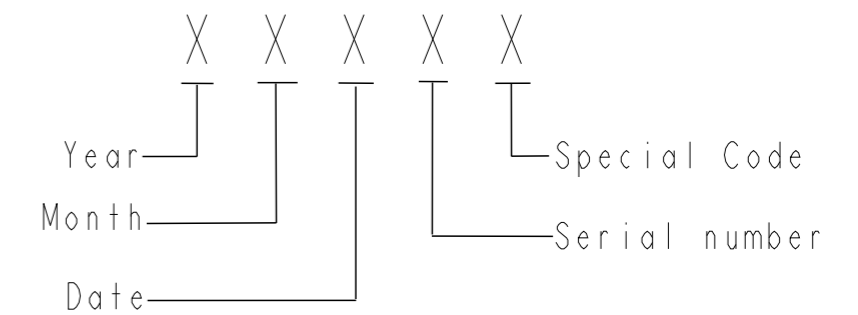
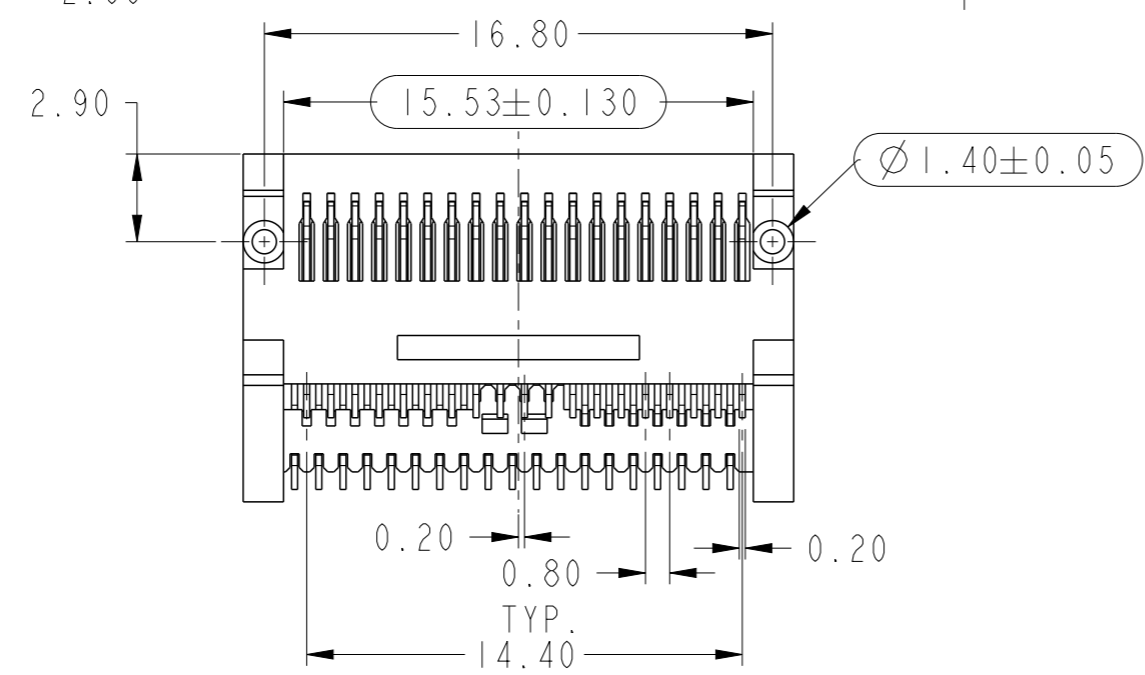
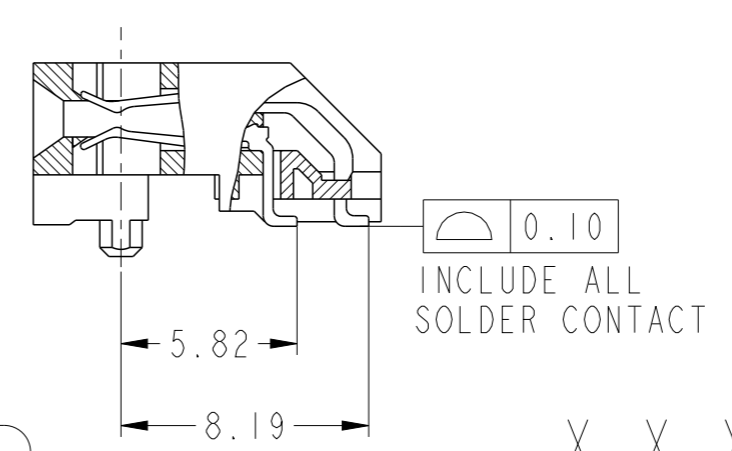
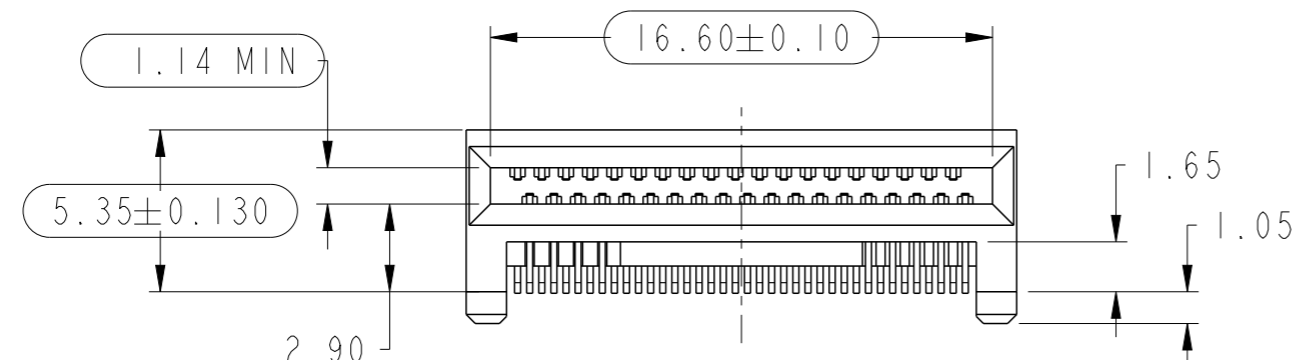
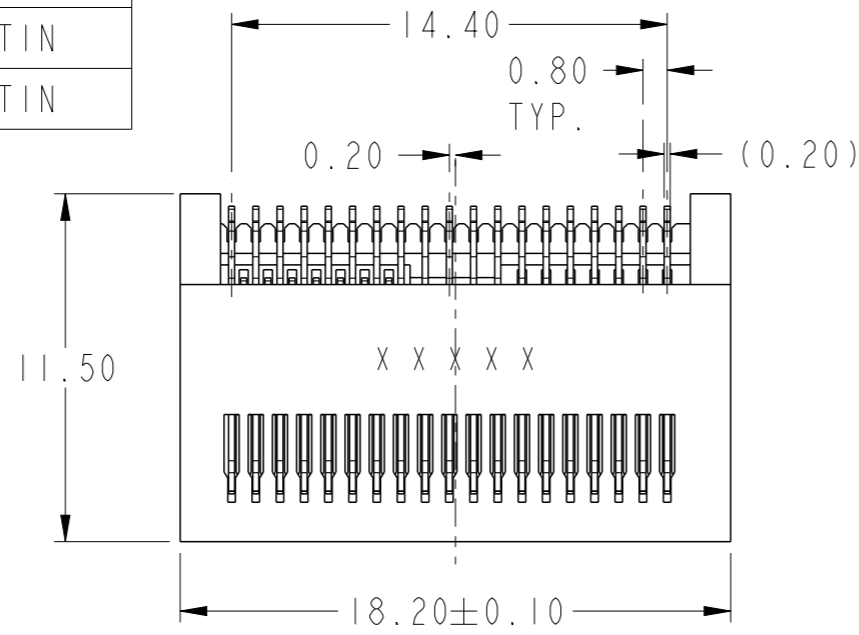


PART NUMBER	PLATING
10099113-101LF	SATIN TIN
10099113-102LF	MATTE TIN

NOTES:

- MATERIAL:
HOUSING: THERMOPLASTIC GLASS FILLED.
SPACER: THERMOPLASTIC GLASS FILLED.
CONTACT: COPPER ALLOY
- PLATING:
CONTACT AREA: 0.76um Au OVER 2.54um MIN. NICKEL.
SOLDER AREA: 2.54um MIN. TIN OVER 2.54um MIN. NICKEL.
- PRODUCT SPECIFICATION: GS-12-622
- APPLICATION SPECIFICATION: GS-20-126
- PRODUCT MEETS EUROPEAN UNION DIRECTIVES AND OTHER COUNTRY REGULATIONS AS DESCRIBED IN GS-22-008.
- DATE CODE BE PRINTED ON PROPER SURFACE.



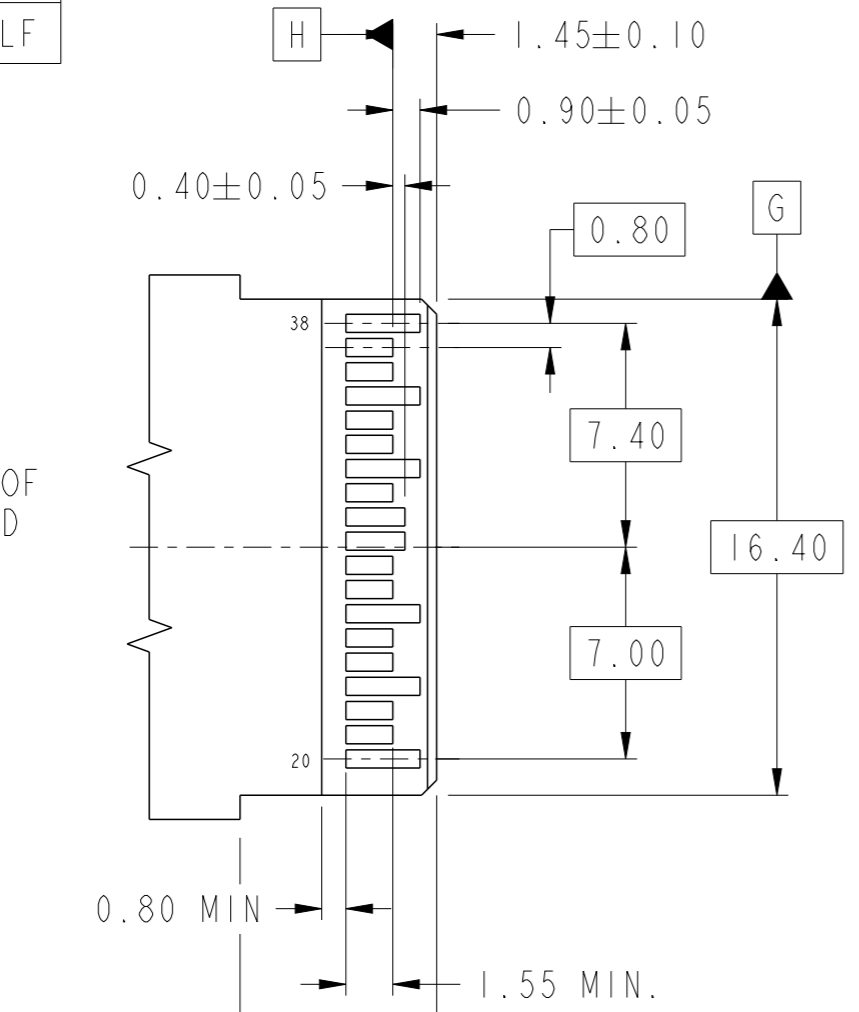
DATE CODE DESCRIPTION

Copyright FCI.

spec ref	-	dr	Andy Zhang	2010/11/03	projection	MM	size	A3	scale	4:1
tolerance std	ASME Y14.5	eng	Andy Zhang	2012/04/27			ecn no	ELX-N-011478-1		
TOLERANCES UNLESS OTHERWISE SPECIFIED		chr	-	-			rel level	Released		
surface	✓	appr	Rick Bian	2012/04/27	product family	-	rel level	Released		
linear	0.X ±0.10	0.XX ±0.05	0.XXX ±-		QSFP 38POS CONNECTOR		dwg no 10099113	rev		F
angular	0° ±2°	www.fci.com			cat. no. - Product - Customer Drw			sheet 1 of 2		

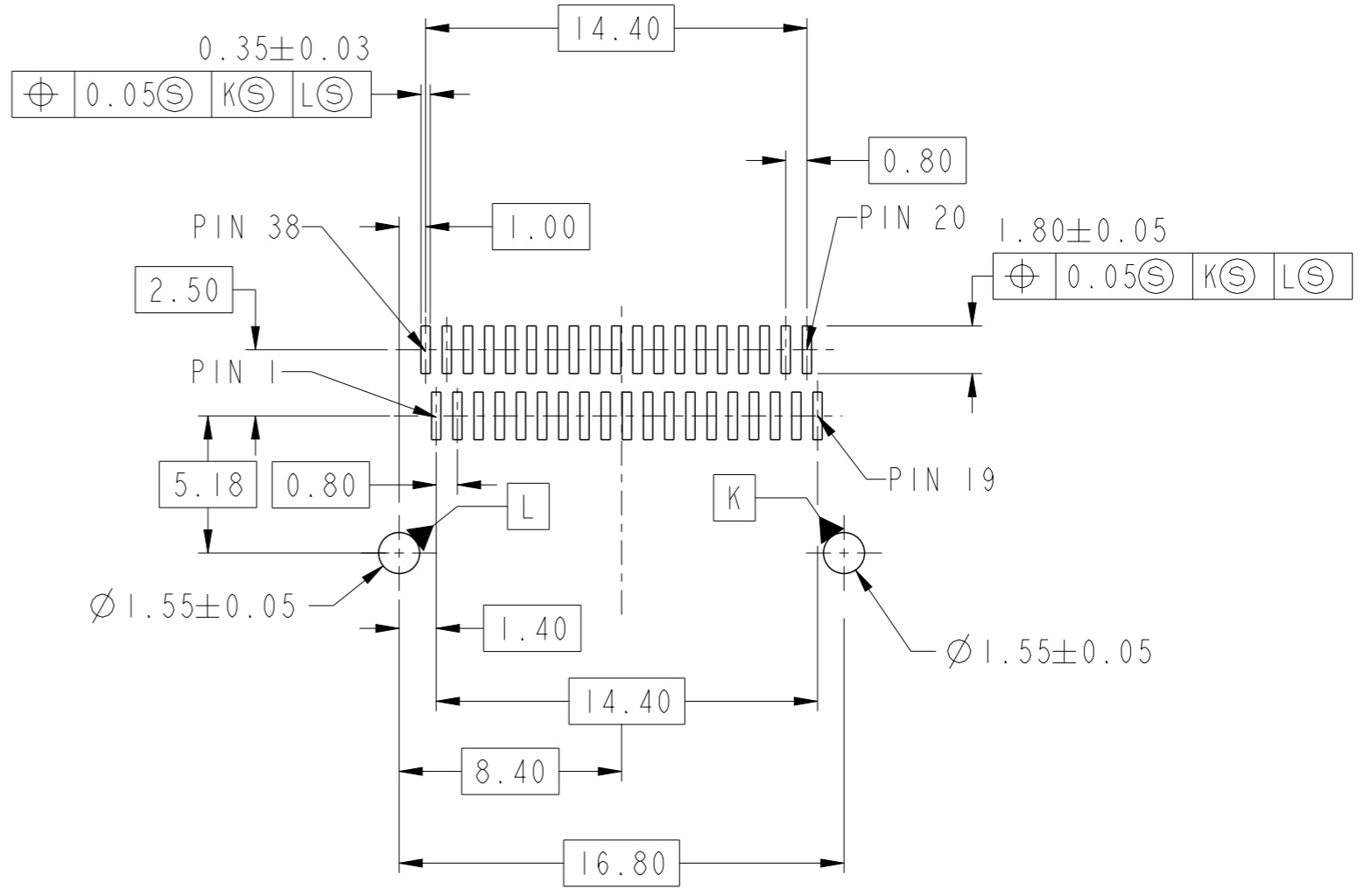
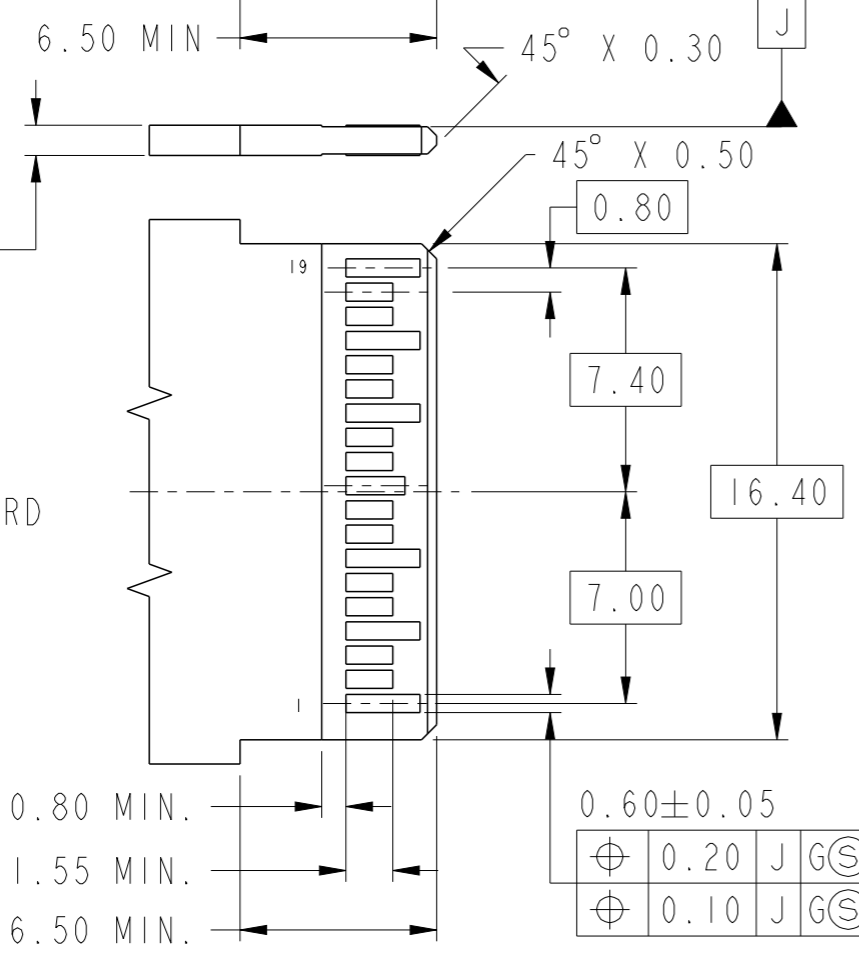
PART NUMBER
10099113-101LF

TOP VIEW OF
PLUG BOARD



1.00±0.10
OVER PAD

BOTTOM VIEW
OF PLUG BOARD



RECOMMENDED PCB LAYOUT
(COMPONENT SIDE)



Copyright FCI.

dr	Andy Zhang	2010/11/03	projection	MM	size	A3	scale	4:1
eng	Andy Zhang	2012/04/27			ecn no			
chr	-	-			ELX-N-011478-1			
appr	Rick Bian	2012/04/27	product family		rel level			
			title QSFP 38POS CONNECTOR QSFP BOARD CONNECTOR			dwg no 10099113		rev F
www.fci.com			cat. no.		-		Product - Customer Drw	
			PDS: Rev :F		STATUS:Released		Printed: Apr 30, 2012	