



Feature -

- good actuation feeling
- full color LED illuminated available
- long electrical life cycles
- SPDT or DPDT, lock / non-lock function

Application -

- instrumentation
- communication equipments

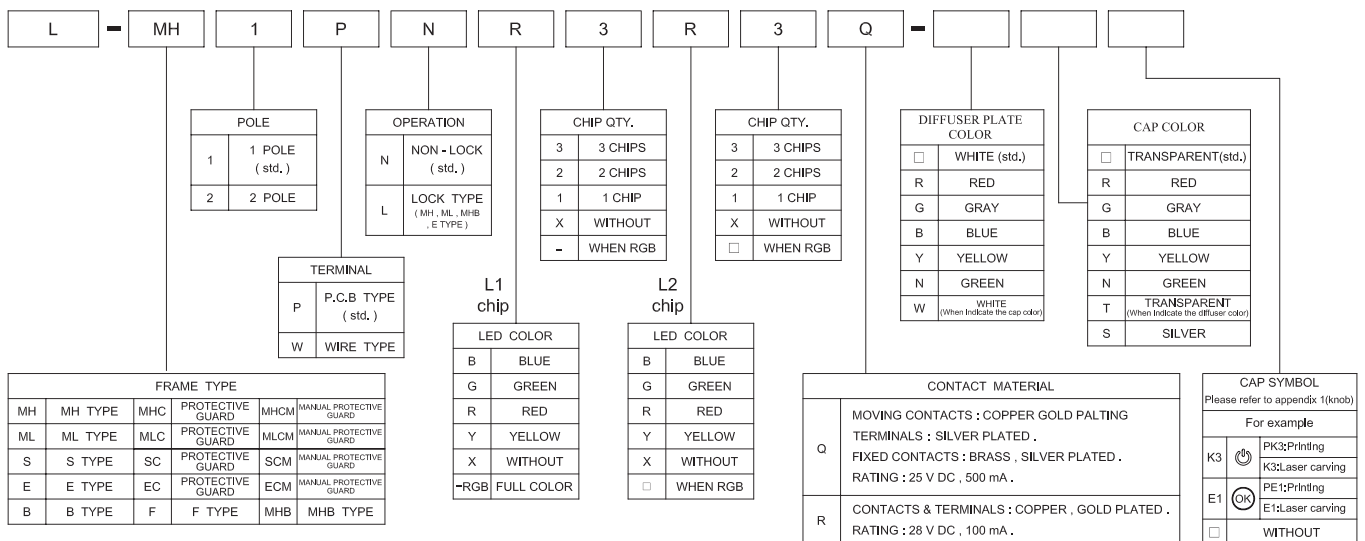
► SPECIFICATIONS

SWITCH SPECIFICATIONS	
POLE - POSITION	ON - < ON > for Momentary Type , ON - ON for Self - Lock Type SPDT , DPDT
CONTACT RATING	SEE CONTACT MATERIAL
CONTACT RESISTANCE	50 mΩ MAX. (SILVER CONTACT) ; 100 mΩ MAX. (GOLD PLATING CONTACT) , 1.5 V DC ; 100 mA , by Method of Voltage DROP
INSULATION RESISTANCE	100 MΩ MIN. 500 V DC
DIELECTRIC STRENGTH	Breakdown is not Allowable ; 1000 V AC for 1 Minute
OPERATING FORCE	200 ± 100 gf (SPDT) 300 ± 150 gf (DPDT)
OPERATING LIFE	200,000 cycles (SILVER CONTACT) 200,000 cycles (GOLD PLATING CONTACT)
OPERATING TEMPERATURE RANGE	-20°C ~ 70°C
TOTAL TRAVEL	2.2 ± 0.2 mm

LED SPECIFICATIONS		Value / LED Color				
ATTENTION (+) (-) LEDs are Electrostatic Sensitive devices	Unit	Red	Yellow	Green	Blue	
	FORWARD CURRENT If	mA	20	20	20	20
REVERSE VOLTAGE Vr	V	5.0	5.0	5.0	5.0	
REVERSE CURRENT Ir	µA	10	10	10	10	
FORWARD VOLTAGE@20mA Vf	V	1.7-2.2	1.7-2.2	1.8-2.4	2.7-3.7	
LUMINOUS INTENSITY@20mA Iv	mcd	230	230	410	585	

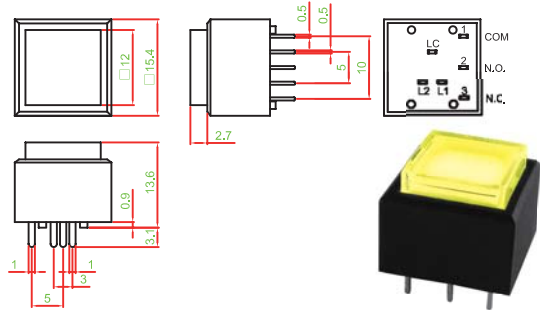
■ Physical and electrical information of LED will be provided upon customer's request on switches .

► HOW TO ORDER

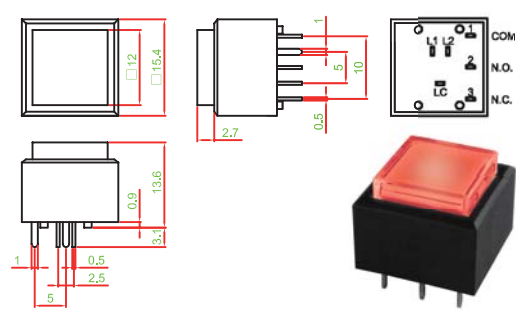


▶ DIMENSION & FRAME TYPE

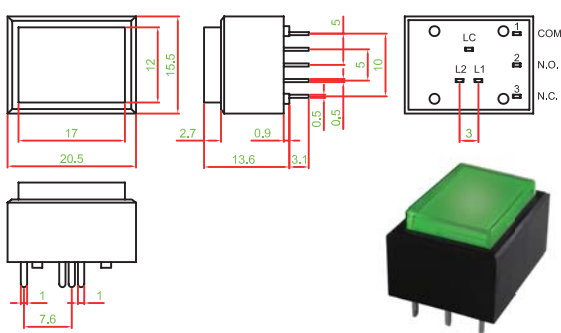
L - S1PN □□□□ Q



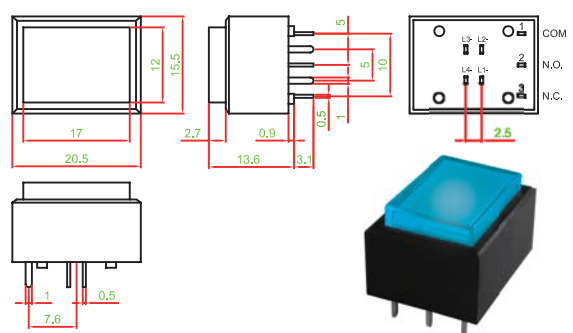
L - ML1PN □□□□ Q



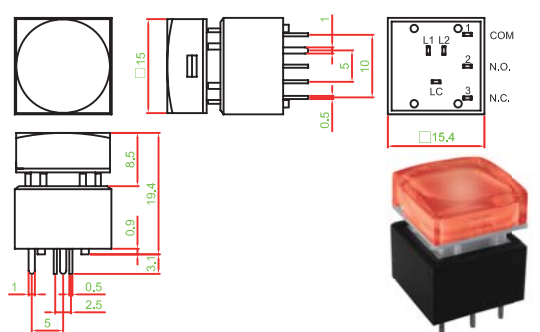
L - B1PN □□□□ Q



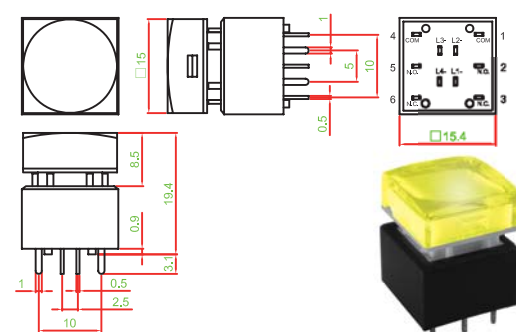
L - B1PN-RGB-Q



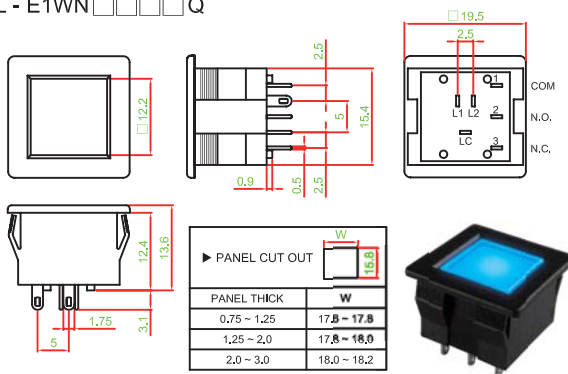
L - MH1PN □□□□ Q



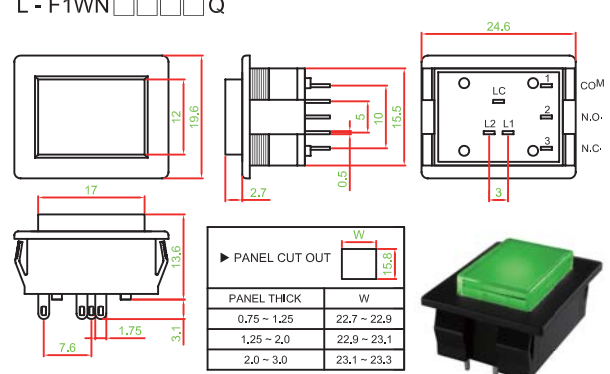
L - MH2PN-RGB-Q



L - E1WN □□□□ Q

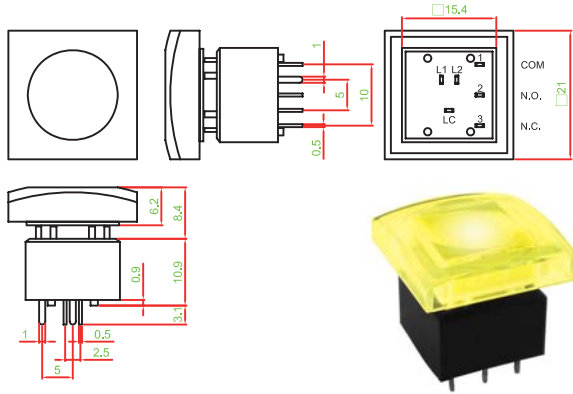


L - F1WN □□□□ Q

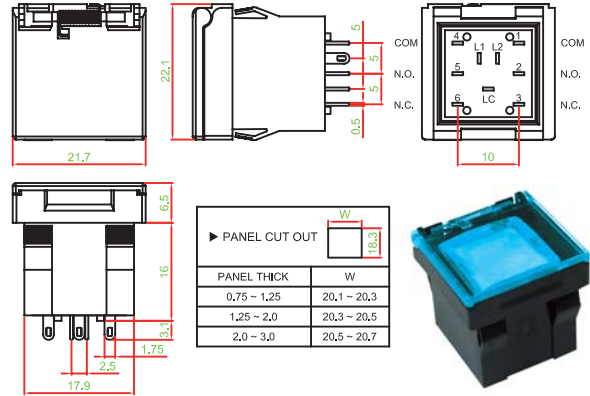


► DIMENSION & FRAME TYPE

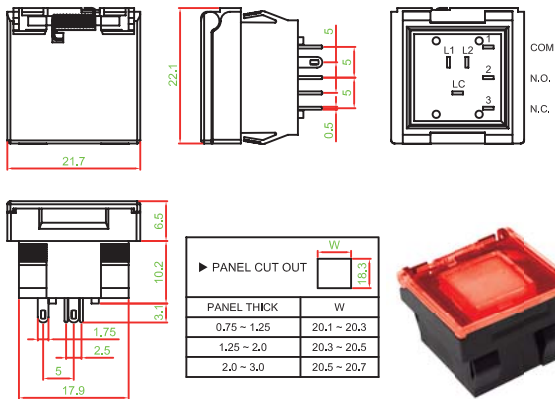
L - MHB1PN □□□□ Q



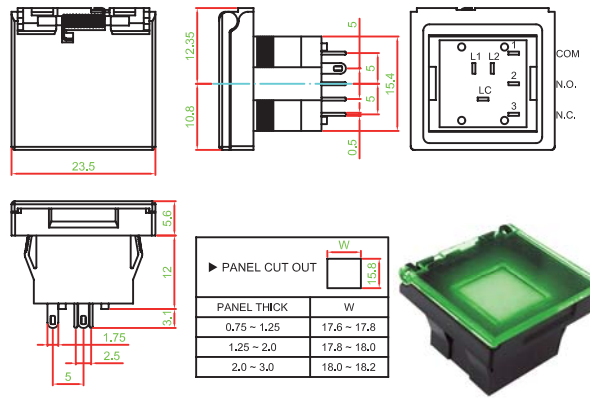
L - MHC2WN □□□□ Q



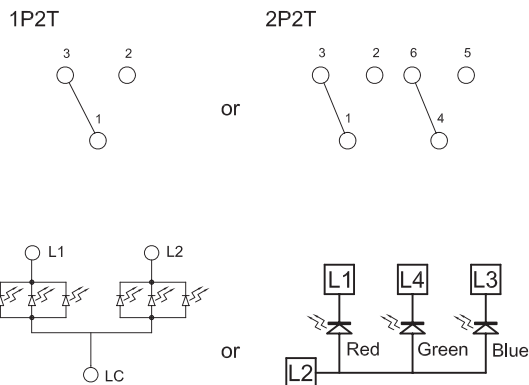
L - MLC1WN □□□□ Q



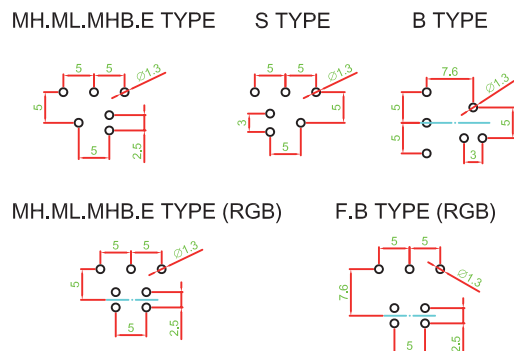
L - EC1WN □□□□ Q



► SCHEMATIC



► P.C.B LAYOUT



► MATERIAL

- COVER : PC
- ACTUATOR : POM
- BASE FRAME : PA + GF
- TERMINAL : Q : BRASS SILVER PLATING
R : BRASS GOLD PLATING

	0	1	2	3	4	5	6	7	8	9	10	11	12	13	14	15	16	17	18	19	
A	0	1	2	3	4	5	6	7	8	9	10	11	12	13	14	15	16	17	18	19	
B	A	B	C	D	E	F	G	H	I	J	CH5	CH6	DSK	PIP	C-KEY	CUT	TAKE	REC	ENG	PROD	
C	K	L	M	N	O	P	Q	R	S	T	REPLAY	RET1	RET2	KEY ON	AUTO TAKE						
D	U	V	W	X	Y	Z	POWER	ON OFF	ON	OFF		USER A	USER B	USER C	USER D	USER E	USER F	USER G	USER H	USER I	
E	OK		Auto	Enter	Start	STOP	OPEN	CLOSE	Exit	Move	USER J								M-1		
F	SET	Reset	Light	Alarm	Menu	Next	Back	Delete	Motor	Save											
G	Up	Down	Right	Left	Test	End	Insert	Lock	Print	+/-											
H	ESC	BC	HOME	Health	D-LED 2	OC GENIE	VIDEO INPUT	clr CMOS	Green Power	Save OK											
I	B/R	Undo Cancel	T/L	F1	F2	F3	F4	F5	F6	F7											
J	F8	F9	F10	F11	F12	F13	F14	IN 1	IN 2	IN 3											
K	IN 4	IN 5	IN 6																		
L	+	-	x	+	=	↑	→														
M							↑	→	↑	→											
N	↑	→	↑	←	▲	▶	◀	▶	◀	▶											
O																					
P							Config.	TIME LINE	ME1	ME2											
Q	ME3	ME4	BGND 3D DVE1	BGND 3D DVE2	BUS COLOR	ME BUTTON LINK	*	INSERT	WIPE												
R	⏮	ALL		VP		COPY		RECORD MODE	↑												
S			MUTE																		
T																					
U			chair	amb	amb	amb	amb	amb	amb												
V						CLEAR	CROSS WIND	AMMO TEMP	BARO PRESS	AIR TEMP											
W	BORE-SIGHT	CANT	LEAD	RANGE	MRS	ZERO	TEST	UD	LR												
X	ID	Disp		GALL		BAND	SETUP	MODE	LINK	FUNC.											
Y	SHIFT					DEL															
Z				RUN	2D	3D	CH1	CH2	CH3	CH4											