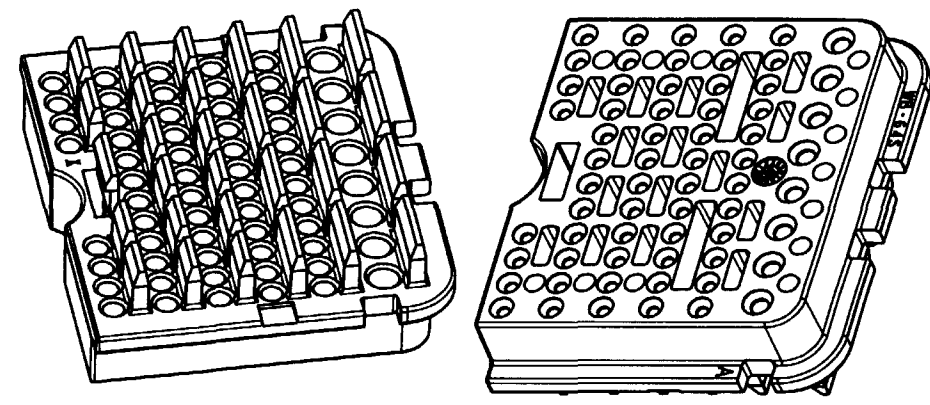
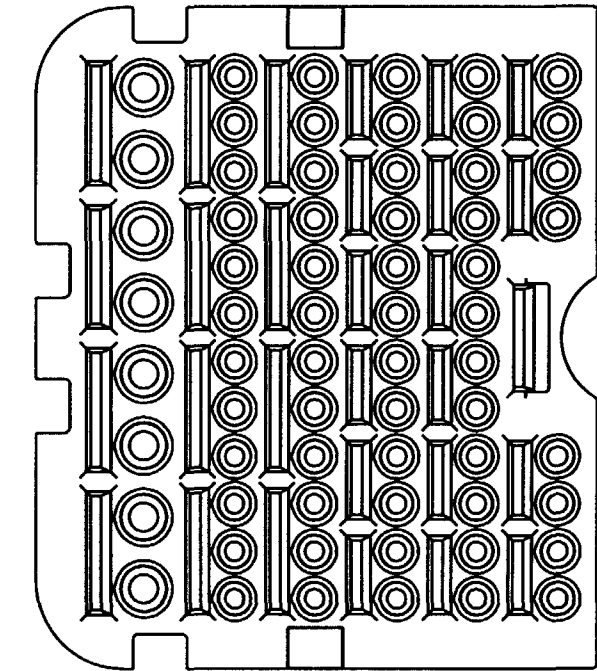
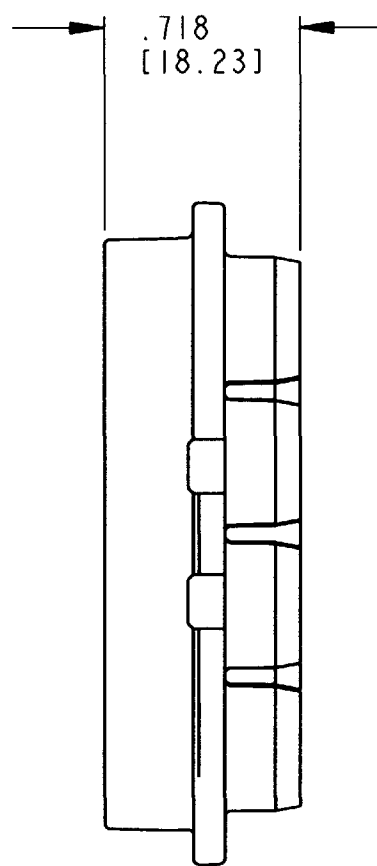
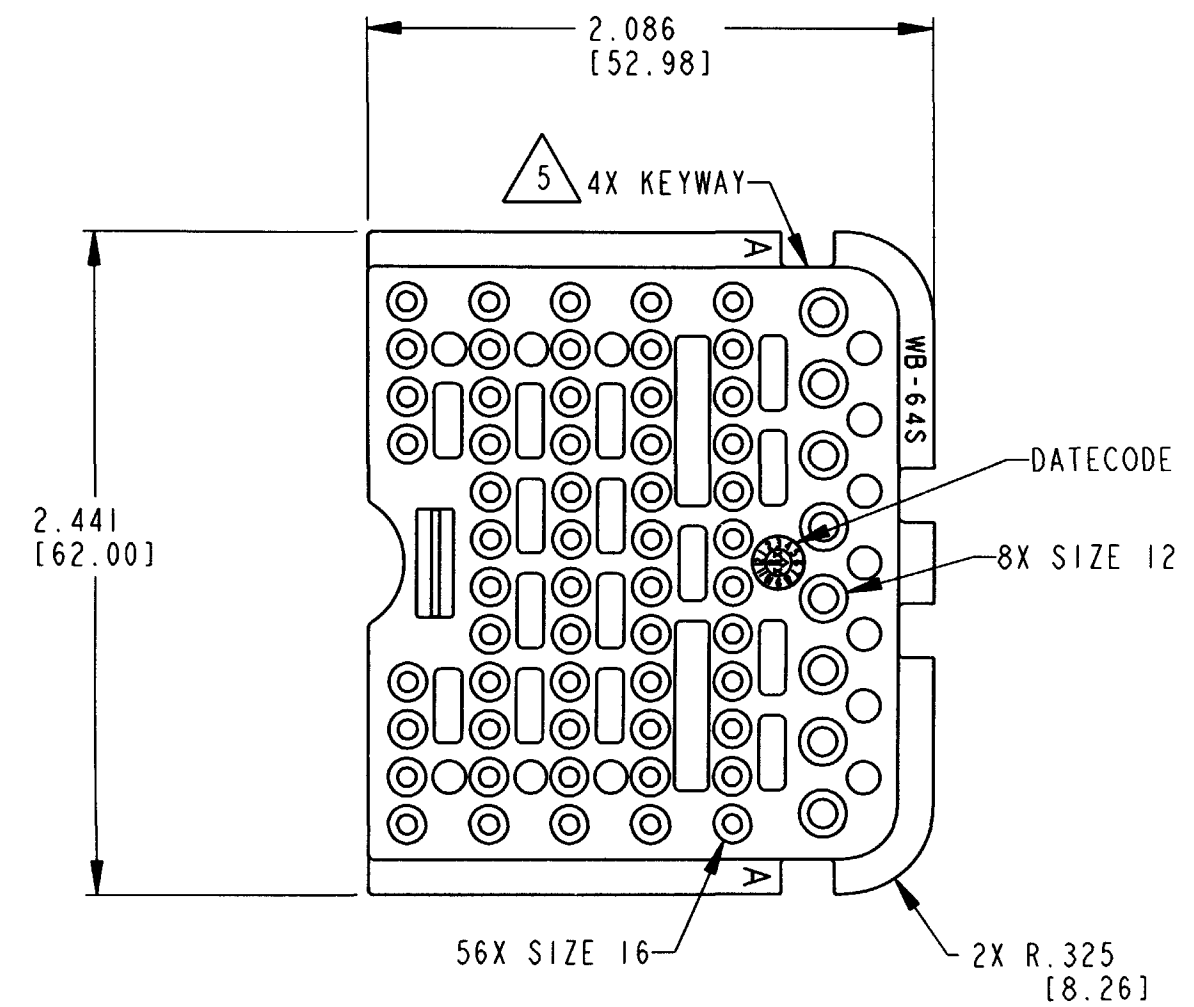


REV
A

WB-64S*

REVISIONS

SYM	DESCRIPTION	DATE	APPROVED
NC	NEW RELEASE PER E.O. P20345	10/15/09	R.D.R.
A	REVISED PER E.O. P20365	12-15-09	RWR



PART NUMBER	COLOR
WB-64PA	GREY
WB-64PB	BLACK
WB-64PC	GREEN
WB-64PD	BROWN

- 5. SEE SHEET 2 FOR OTHER KEY ARRANGMENTS.
 - 4. MATERIAL: PLASTIC
 - 3. THIS WEDGE LOCK IS USED IN DRB16-128S*(N)E-**** PLUG (*= A,B,C,D KEYS; **** = ALL MODIFICATIONS). CONSULT FACTORY FOR MODS.
 - 2. DIMENSION TOLERANCE: ±.025 [.64].
 - 1. DIMENSIONS ARE IN INCHES [mm].
- NOTES: UNLESS OTHERWISE SPECIFIED.

SIGNATURE & DATE	
DR	P. CARNAHAN 10/8/09
CHK	D. Meyer 12/15/09
PE	Paula Brown 12/3/09
APPD	R. Roe 12-15-09
SCALE	NONE
WT	

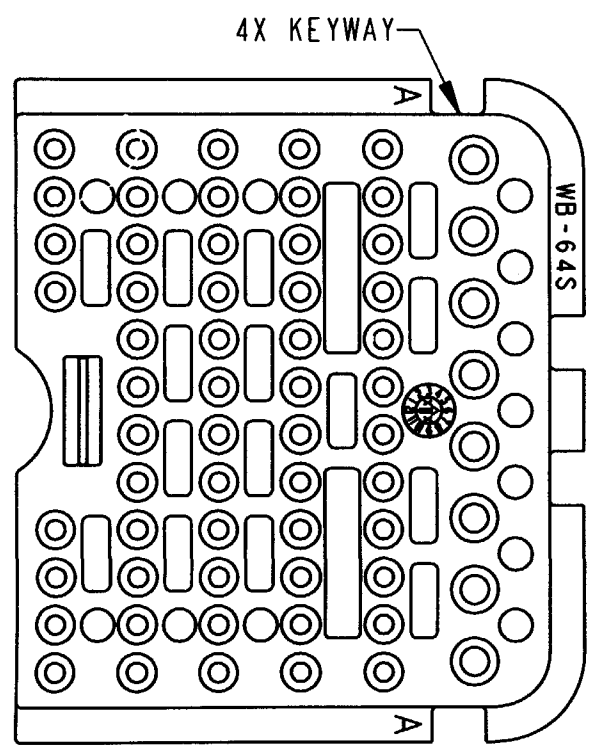
WEDGE LOCK, PLUG
"A THRU D" KEYS
64 CONTACTS
DRB SERIES

ENVELOPE

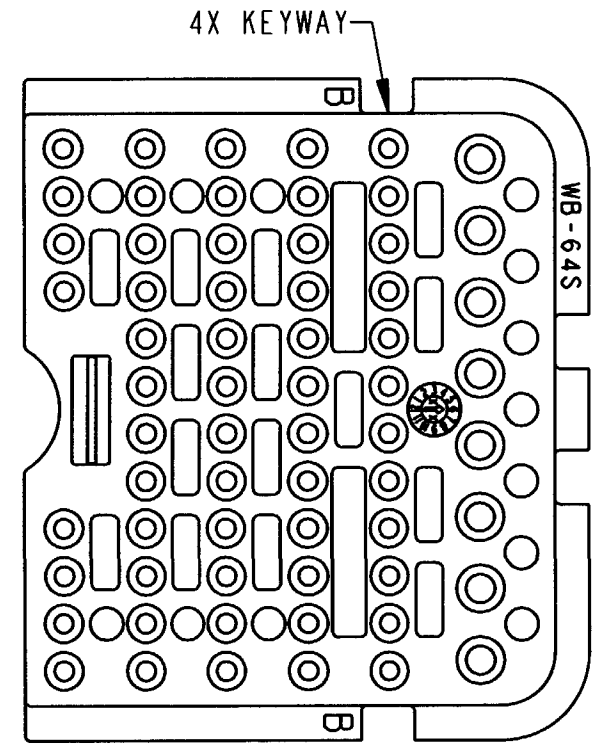
EP	EP 202	MATL. CODE
3850 INDUSTRIAL AVE. HEMET, CA 92545		
B		WB-64S*
DWG SIZE	CODE 11139	SHEET 1 OF 2

REV
A **WB-64S ***

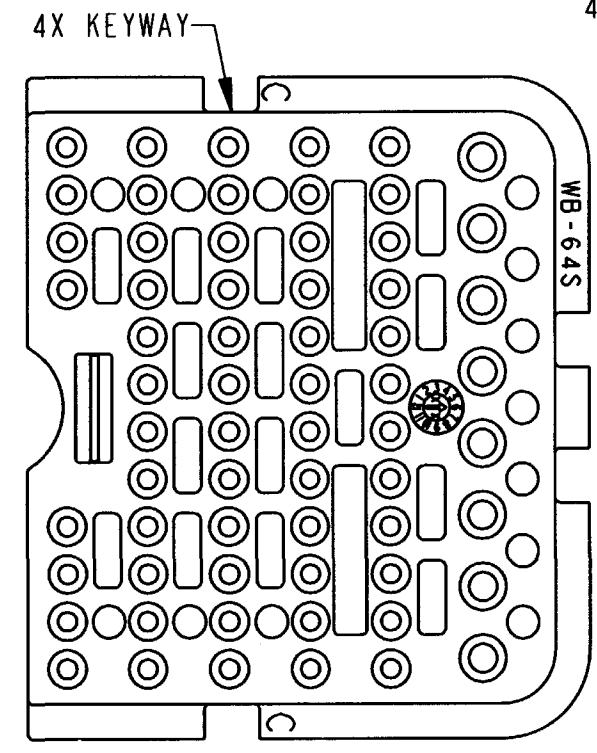
REVISIONS			
SYM	DESCRIPTION	DATE	APPROVED
NC	NEW RELEASE PER E.O. P20345	10/15/09	R.D.R.
A	REVISED PER E.O. P20365	12-15-09	RDR



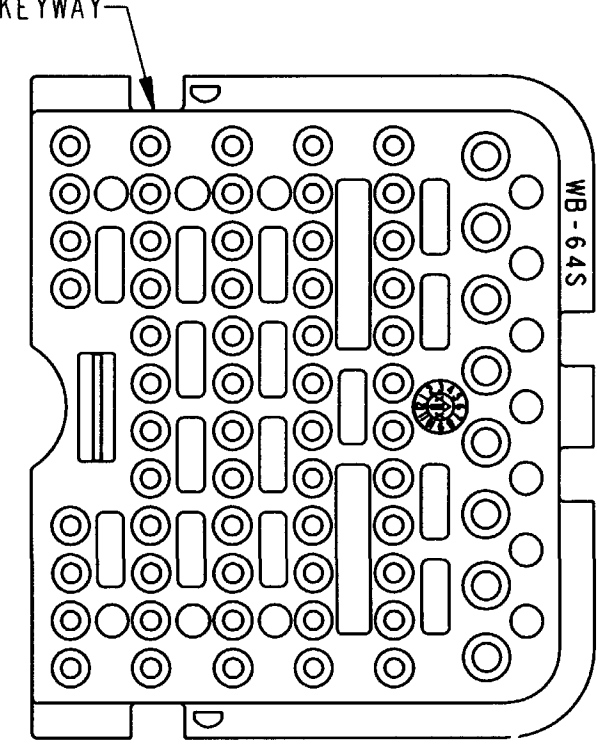
WB-64SA
KEY: A



WB-64SB
KEY: B



WB-64SC
KEY: C




WB-64SD
KEY: D

NOTES: SEE SHEET 1.

SIGNATURE & DATE	
DR	P. CARNAHAN 10/18/09
CHK	<i>[Signature]</i> 12/15/09
PE	<i>[Signature]</i> 12/15/09
APPD	<i>[Signature]</i> 12-15-09
SCALE	NONE
WT	

WEDGE LOCK, PLUG
"A THRU D" KEYS
64 CONTACTS
DRB SERIES

ENVELOPE

EP	EP 202	NATL. CODE
 3850 INDUSTRIAL AVE. HEMET, CA 92545		
B	WB-64S *	
DWG SIZE	CODE 11139	SHEET 2 OF 2