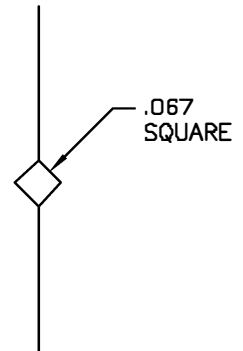
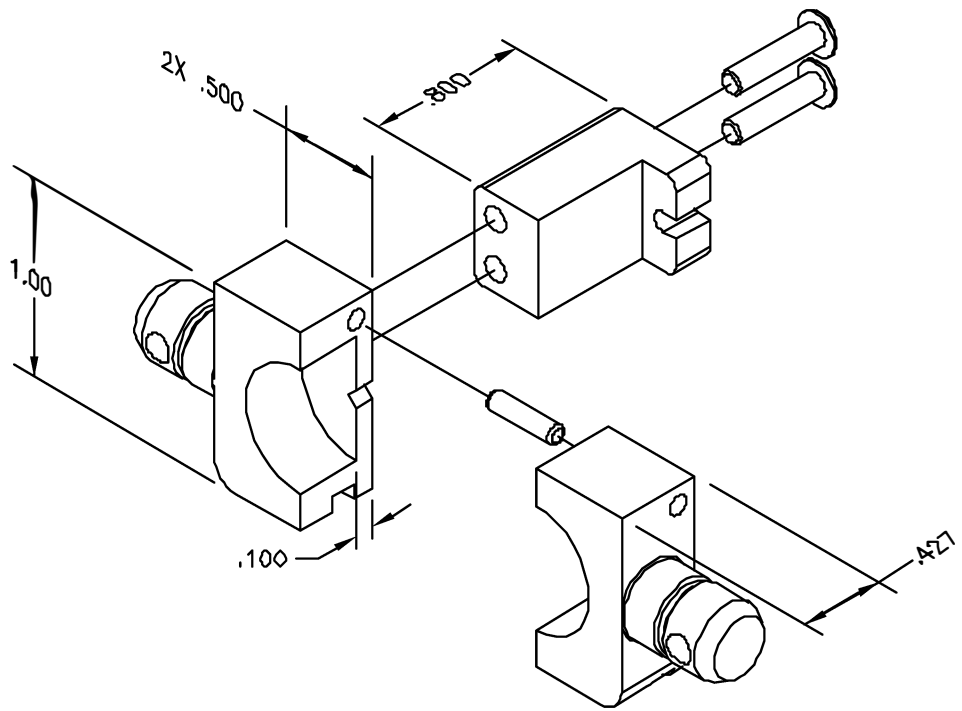



REVISIONS				
REV. SYN.	ECO NUMBER	DESCRIPTIONS	BY DATE	APP'D DATE
1		ORIGINAL RELEASE	K. KOONS 8/18/02	RRR 9/18/02



GAGING DIMENSIONS

**UNCONTROLLED DOCUMENT
WILL NOT BE UPDATED**

RESTRICTED & CONFIDENTIAL		MATERIAL	ITEM	PART NO.	QTY.	DESCRIPTION/REMARKS			
CONFIDENTIAL PROPERTY OF DANIELS MANUFACTURING CORP. NOT TO BE DISCLOSED TO OTHERS, REPRODUCED OR USED FOR ANY OTHER PURPOSE, EXCEPT AS AUTHORIZED IN WRITING BY DANIELS MANUFACTURING. MUST BE RETURNED TO DANIELS MANUFACTURING CORP. ON COMPLETION OF ORDER OR OTHER PURPOSE FOR WHICH LENT.		HEAT TREAT	DIRL	K. KOONS	DATE	 DANIELS MANUFACTURING CORP ORLANDO, FLORIDA CAGE 11851			
			CHK'D	RRR	DATE				
			APFD.		DATE				
DO NOT SCALE DRAWING		FINISH	APFD.		DATE	TITLE DIE SET ENVELOPE DRAWING			
			WHERE USED:		SIZE	SCALE	CAD P/N	SHEET	OF
					B	NTS	Y1839P-ENV	1	1
					POSTING		P/N	Y1839P-ENV	REV.
									1