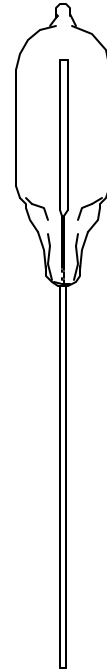
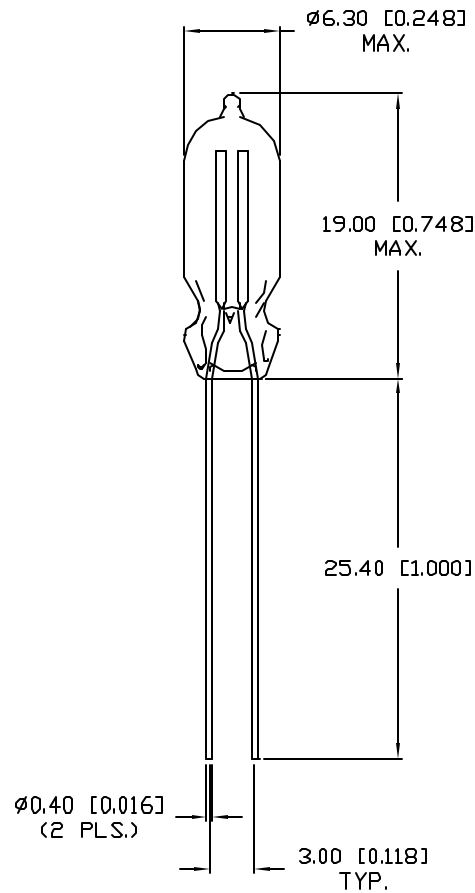


UNCONTROLLED DOCUMENT

PART NUMBER
GT-NE6H1925(T)

REV.
B

REV.	E.C.N. NUMBER AND REVISION COMMENTS	DATE
A	E.C.N. #10437. & REDRAWN.	4-2-98
B	E.C.N. #10561. & #10BRDR.	10-21-99



ELECTRO-OPTICAL CHARACTERISTICS

PARAMETER	MIN	TYP	MAX	UNITS
OPERATING VOLTAGE	90		115	V
STARTING VOLTAGE (AC)			85	V
(DC)			125	V
OPERATING CURRENT:				
W/ 33K OHM RES.		1.3±20%		mA @ 110V
W/ 82K OHM RES.		1.9±20%		mA @ 220V
LIGHT OUTPUT		111		lm
LIFE HOURS		20,000		HOURS
EMITTED COLOR:		ORANGE		

NOTES:

1. PARTS TO BE IN A SEALED BAG WITH DESICCANT.
2. LEAD DIAMETER: 0.40 [0.016].
3. LEAD FINISH: (UT OR BLANK)-UNTINNED COPPER LEADS, (T)-SILVER PLATED LEADS.
4. CORONA MUST COVER A MINIMUM OF 25% OF THE ELECTRODE WITH NO FLICKERING.

UNCONTROLLED DOCUMENT

*UNLESS OTHERWISE SPECIFIED TOLERANCE IS $\pm 0.25\text{mm}$ ($\pm 0.010"$)

REV.
B

PART NUMBER
GT-NE6H1925(T)

6mm x 19mm NEON LAMP,
ORANGE, HIGH BRIGHTNESS.

CONFIDENTIAL INFORMATION
THE INFORMATION CONTAINED IN THIS DOCUMENT IS THE PROPERTY OF LUMEX INC. EXCEPT AS SPECIFICALLY AUTHORIZED IN WRITING BY LUMEX INC, THE HOLDER OF THIS DOCUMENT SHALL KEEP ALL INFORMATION CONTAINED HEREIN CONFIDENTIAL AND SHALL PROTECT SAME IN WHOLE OR IN PART FROM DISCLOSURE AND DISSEMINATION TO ALL THIRD PARTIES.

RELIABILITY NOTE
OUR MANY YEARS OF EXPERIENCE DATA ACCUMULATION INDICATE THAT SOLDER HEAT IS A MAJOR CAUSE OF EARLY AND FUTURE FAILURE. PLEASE PAY ATTENTION TO YOUR SOLDERING PROCESS.

LUMEX
INCORPORATED

290 E. HELLEN ROAD
PALATINE, ILLINOIS 60067
PHONE: 1-847-359-2790
WEB: HTTP://WWW.LUMEX.COM

DRAWN BY:	CHECKED BY:	APPROVED BY:	DATE: 4-11-97
			PAGE: 1 OF 1
			SCALE: N/A

TM/DJ