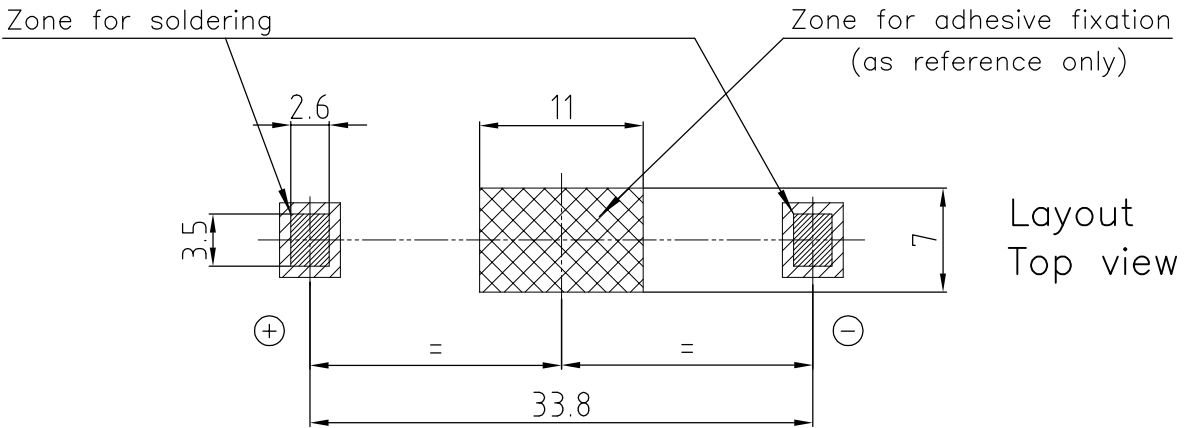
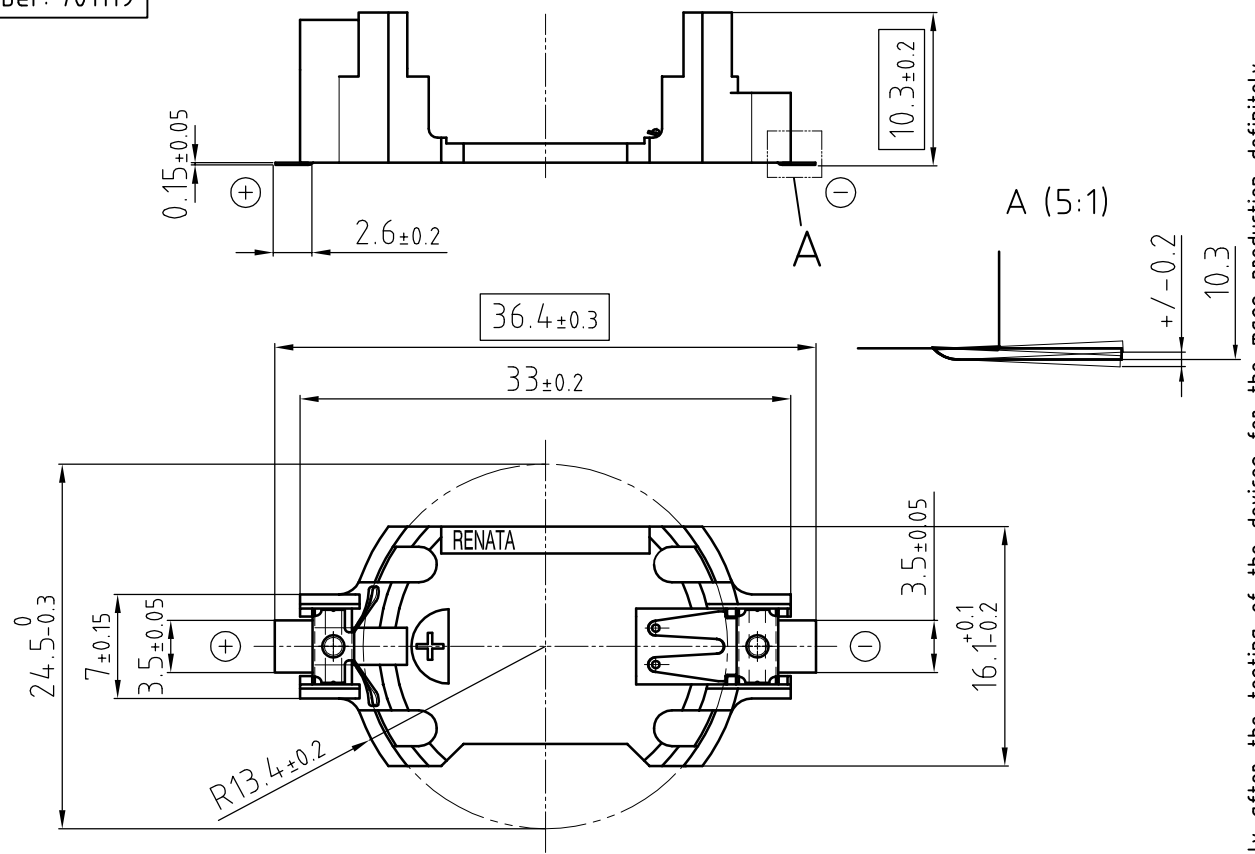


Art.-Number: 701119



- Samples can deviate in the execution from the serie.

- Dimensions and tolerances can be specified only after the testing of the devices for the mass production definitely

Holder material : heat resistant, glass-fiber reinforced LCP
 Battery contacts : spring stainless steel 301 nickel plated throughout
 Solder contacts : spring stainless steel 301 solder area tin-plated throughout, min. thickness 5µm

All framed values will be used for dimension checking !

Rev.	①	07.09.07	MCI	Rev.	○		Customer's Approval			
Rev.	②	24.10.07	SRi	Rev.	○		Date			
Rev.	③	15.09.10	Wu Ping	Rev.	○		Signature			
Titel:							Scale	Drawn	25.01.05	SRi
SMTU2477N-LF							2:1	Checked	16.09.10	SRi
								Approved		
				CH-4452 Itingen Switzerland			3.8763.4-3			