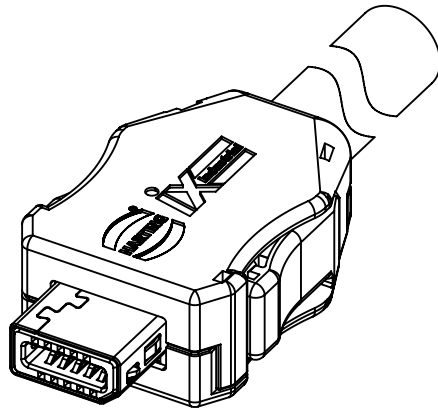
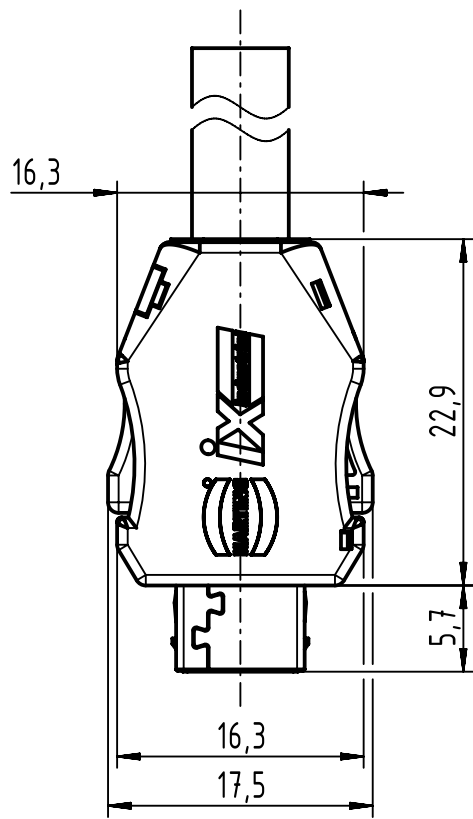


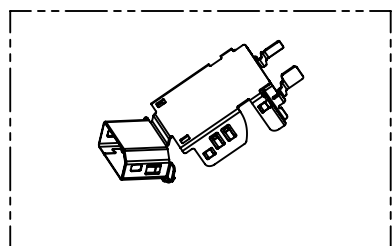
Applicable cable	
Items	Applicable condition
Conductor size	AWG 28-26
Insulation O.D.	Ø0.95 to 1.05 mm
Braid Shield	Tin plating
Sheath O.D.	Ø6.3mm - Ø7.2mm



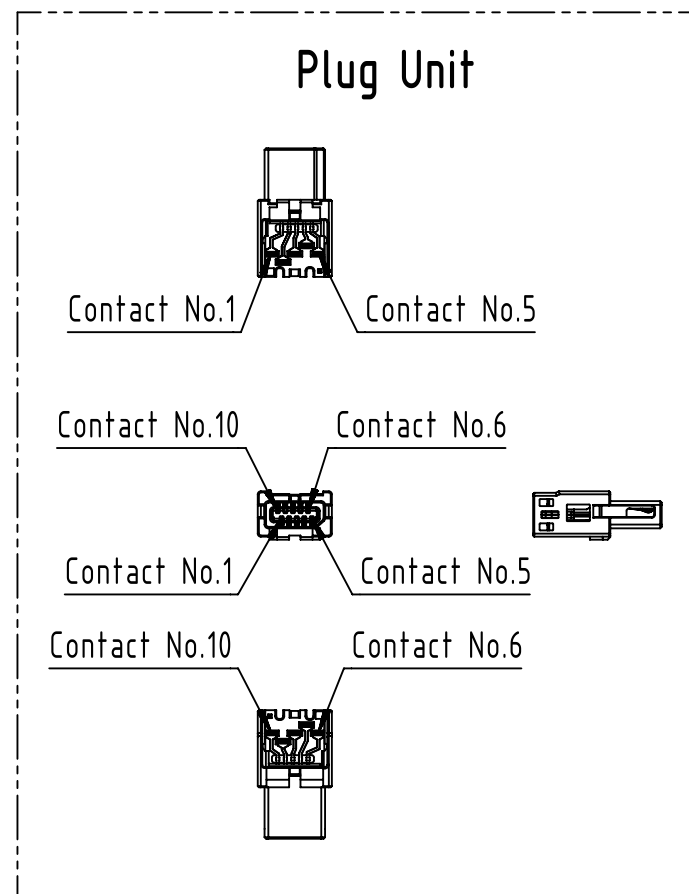
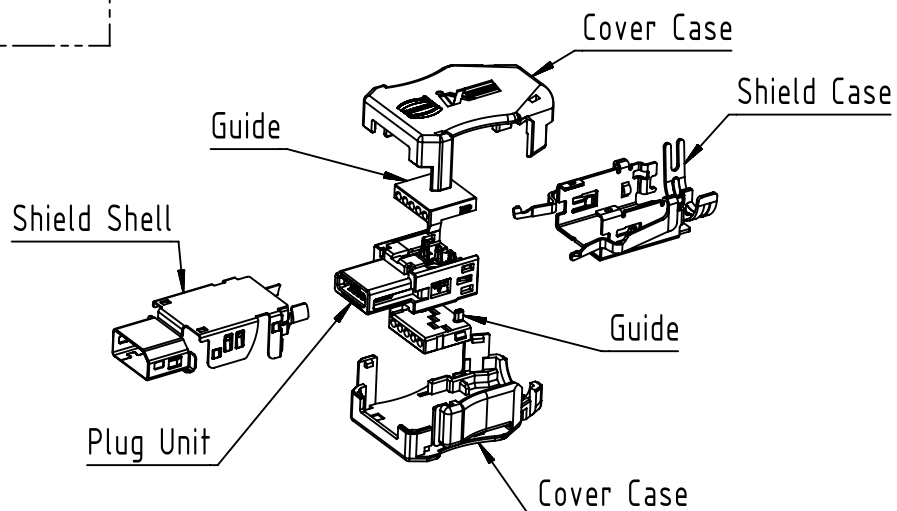
Contact material: copper alloy
 Contact area: Gold 0.2µm min.
 Wiring area: Gold 0.03µm min.
 Under plating: Nickel 2µm min.

	All rights reserved Department EC PD - RO	All Dimensions in mm Original Size DIN A4		Scale 2:1	Free size tol.	Ref. Sub.	
		Created by POPESCUD	Inspected by PRIESTER	Standardisation HOFFMANN	Date 2017-10-23	State Final Release	
HARTING Electronics GmbH D-32339 Espelkamp		Title IDC type Plug B key, Cable guide Ø1.1 (HARTING Logo)				Doc-Key / ECM-Nr. 100747810/UGD/000/A 500000126831	
		Type TB	Number 09451819001			Rev. A	Page 1/2

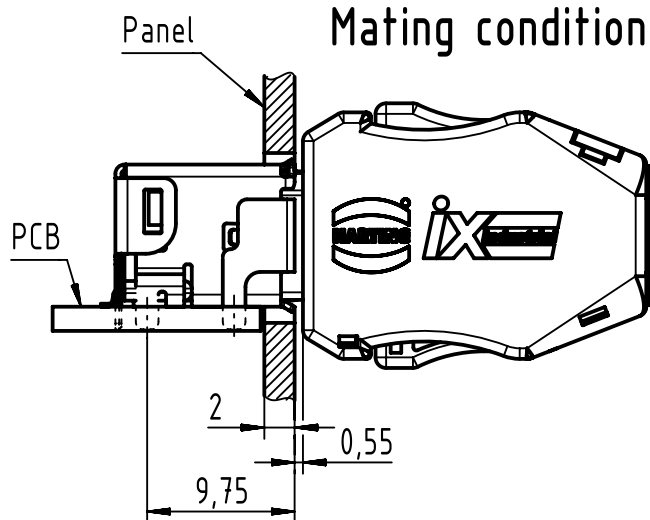
Shield Shell delivery form



Product Structure



Mating condition (2:1)



	All Dimensions in mm Original Size DIN A4	Scale 1:1	Free size tol.	Ref. Sub.	
	All rights reserved Department EC PD - RO	Created by POPESCUD	Inspected by PRIESTER	Standardisation HOFFMANN	Date 2017-10-23
HARTING Electronics GmbH D-32339 Espelkamp	Title IDC type Plug B key, Cable guide Ø1.1 (HARTING Logo)			Doc-Key / ECM-Nr. 100747810/UGD/000/A 500000126831	
	Type TB	Number 09451819001		Rev. A	Page 2/2

Mouser Electronics

Authorized Distributor

Click to View Pricing, Inventory, Delivery & Lifecycle Information:

[HARTING:](#)

[09451819001XL](#)