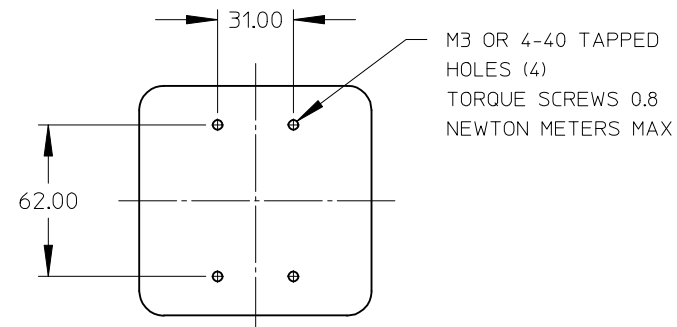
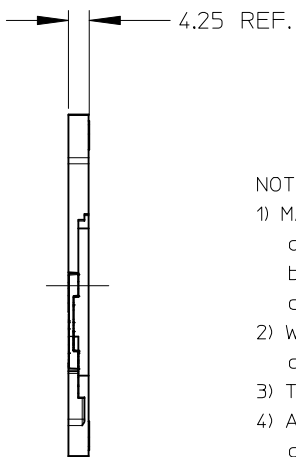
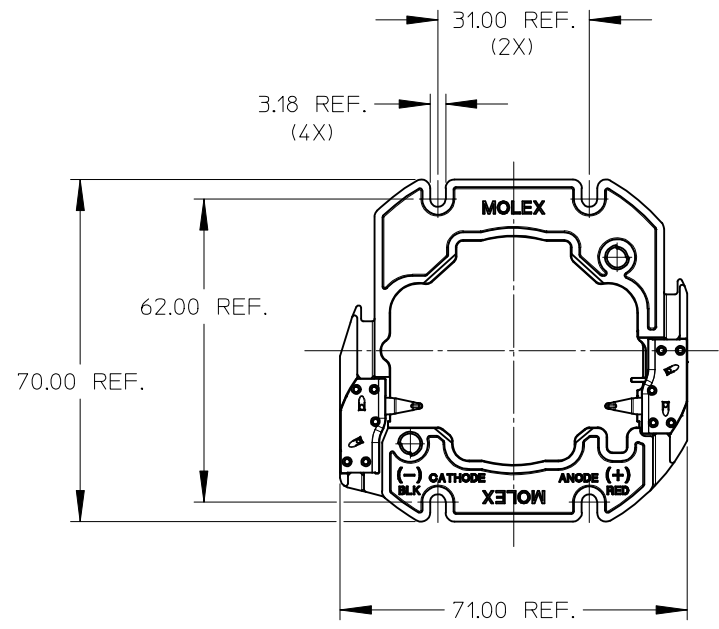
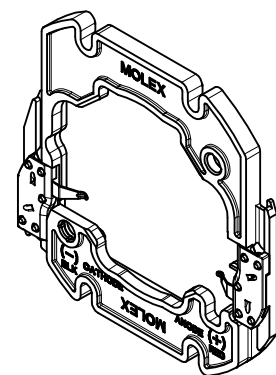


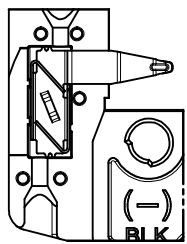
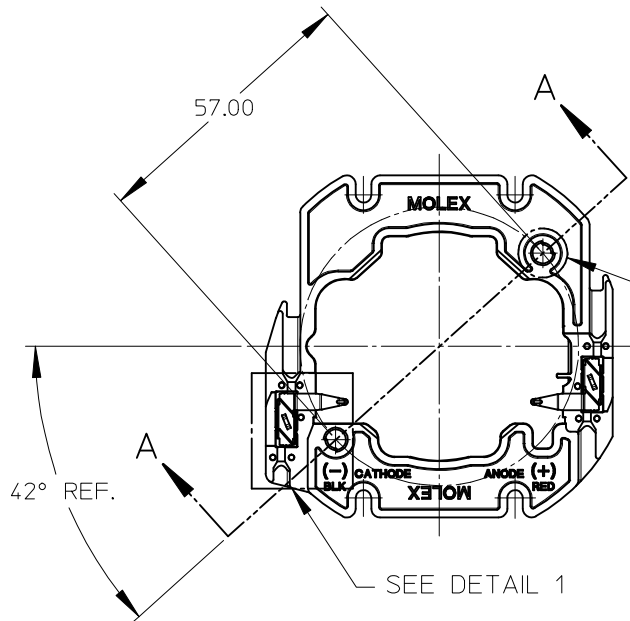
| 10 | 9 | 8 | 7 | 6 | 5 | 4 | 3 | 2 | 1 |
|-------------|--------------------------|---|-----------|----------------------|---|---|---|---|---|
| PART NUMBER | DESCRIPTION | | SEE SHEET | STATUS | | | | | |
| 180180-0000 | HOLDER WITHOUT LENS | | 3 | TOOLED | | | | | |
| 180180-0001 | HOLDER WITH LENS | | 3 | NOT TOOLED | | | | | |
| 180182-0000 | COVER LENS ONLY | | 3 | NOT TOOLED | | | | | |
| N/A | REFLECTOR OPTION (LEDIL) | | 4 | AVAILABLE THRU LEDIL | | | | | |



- NOTES:
- MATERIALS:
 - a. CAPS: NATURAL COLOR PA66 NYLON 25% GF UL94V-0
 - b. HOUSING: NATURAL COLOR PA66 NYLON 25% GF UL94V-0
 - c. COVER LENS: CLEAR POLYCARBONATE UL 94HB
 - WIRE TRAP TERMINALS: COPPER ALLOY
 - a. FINISH: SILVER OVER NICKEL
 - THIS PRODUCT IS ELV AND ROHS COMPLIANT
 - APPLICABLE WIRE GAUGE - 18 OR 20 AWG
 - a. SOLID WIRE IS RECOMMENDED
 - b. IF STRANDED WIRE IS USED, PRE-TINNED IS RECOMMENDED
 - c. 1 cm STRIP LENGTH IS RECOMMENDED
 - MOUNT HOLDER USING M3 OR 4-40 SCREWS (4), 0.8 NEWTON METERS MAX TORQUE
 - CONTACT AREA OF TERMINAL HAS AN ENVIRONMENTAL BARRIER/LUBRICANT FOR CORROSION RESISTANCE
 - UL:0LFB2 UL496 FILE: E345583.

| | | | | | | |
|---|-------------------------------|---------------------------------------|---|---|-------------------------------|------------------------|
| ENTER DESCRIPTION EC NO: SSL2016-0054 DRWNL:ZAB, JANOVSKI 2016/03/29 CHKD: APPR: GMEYER 2016/04/11 REV | QUALITY SYMBOLS | GENERAL TOLERANCES (UNLESS SPECIFIED) | DIMENSION STYLE MM ONLY | SCALE 1:1 | DESIGN UNITS METRIC | THIRD ANGLE PROJECTION |
| | $\nabla F/0$ | mm INCH | DRAWN BY DATE CCARRANZA 2010/10/26 | BRIDGELUX RS LED HOLDER MOLEX INCORPORATED | | |
| | $\nabla E/0$ | 4 PLACES \pm --- \pm --- | CHECKED BY DATE CCARRANZA 2012/11/06 | | | |
| | $\nabla F/0$ | 3 PLACES \pm --- \pm --- | APPROVED BY DATE DMCGOWAN 2010/12/23 | | | |
| $\nabla E/0$ | 2 PLACES ± 0.13 \pm --- | 1 PLACE ± 0.25 \pm --- | ANGULAR $\pm 1/2^\circ$ | MATERIAL NO. | DOCUMENT NO. | SHEET NO. |
| DRAFT WHERE APPLICABLE MUST REMAIN WITHIN DIMENSIONS | | SEE CHART | | SD-180180-000 | | 1 OF 4 |
| THIS DRAWING CONTAINS INFORMATION THAT IS PROPRIETARY TO MOLEX INCORPORATED AND SHOULD NOT BE USED WITHOUT WRITTEN PERMISSION | | | | | | |

WIRE TRAP CAPS ARE REMOVED FROM FRONT VIEW FOR CLARITY

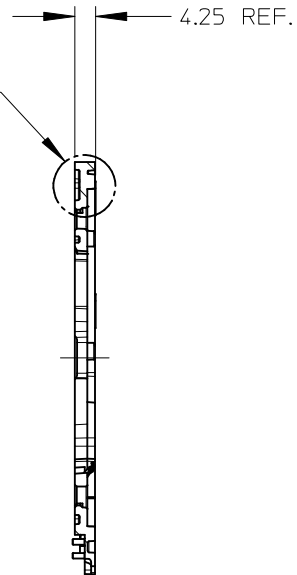


VIEW OF TWO-WAY WIRE TRAP

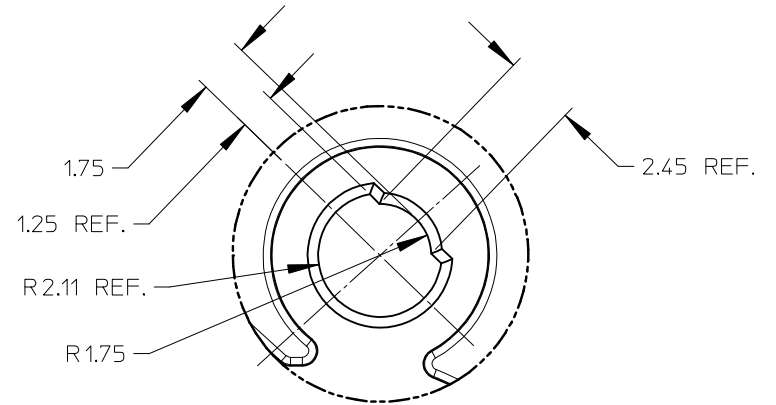
WIRE TRAPS WILL ACCOMODATE
EITHER 18 OR 20 GAUGE WIRE

DETAIL 1 SCALE 2:1

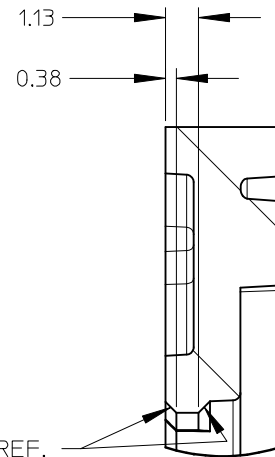
SEE DETAIL 3
SEE DETAIL 2



SECTION A-A
SCALE 1:1



DETAIL 2 SCALE 6:1

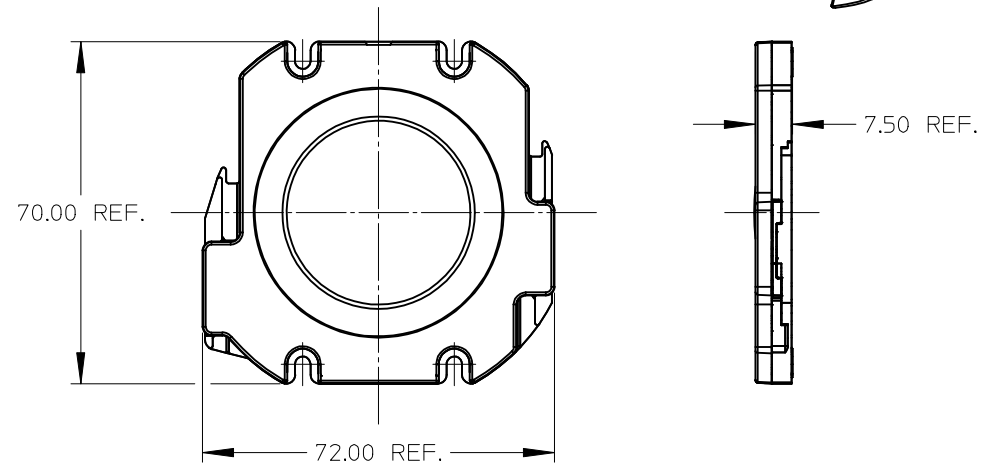
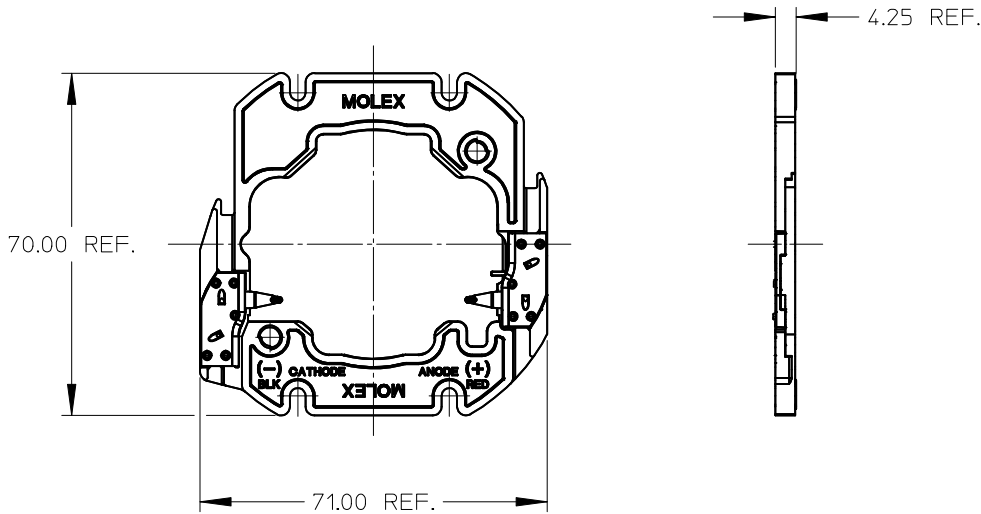
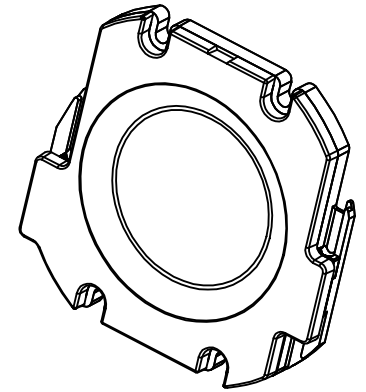
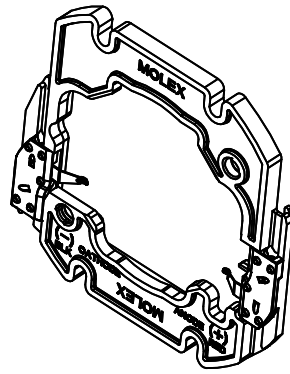


45° CHAMFER REF.

DETAIL 3 SCALE 6:1

| | | | | | | |
|--|---|---|---|--|-------------------------------|------------------------|
| ENTER DESCRIPTION EC NO: SSL2016-0054 DRWNL:ZAB.JANOVSKI 2016/03/29 CHKD: APPR:GMEYER 2016/04/11 REV | QUALITY SYMBOLS $\nabla/0$ $\nabla/0$ $\nabla/0$ | GENERAL TOLERANCES (UNLESS SPECIFIED) mm INCH 4 PLACES ± --- ± --- 3 PLACES ± --- ± --- 2 PLACES ± 0.13 ± --- 1 PLACE ± 0.25 ± --- ANGULAR ± 1/2° | DIMENSION STYLE MM ONLY DRAWN BY DATE CCARRANZA 2010/10/26 CHECKED BY DATE CCARRANZA 2012/11/06 APPROVED BY DATE DMCGOWAN 2010/12/23 MATERIAL NO. | SCALE 2:1 TITLE BRIDGELUX RS LED HOLDER | DESIGN UNITS METRIC | THIRD ANGLE PROJECTION |
| | DRAFT WHERE APPLICABLE MUST REMAIN WITHIN DIMENSIONS | | SEE CHART | Molex MOLEX INCORPORATED | DOCUMENT NO. SD-180180-000 | SHEET NO. 2 OF 4 |
| | THIS DRAWING CONTAINS INFORMATION THAT IS PROPRIETARY TO MOLEX INCORPORATED AND SHOULD NOT BE USED WITHOUT WRITTEN PERMISSION | | | | | |
| | SIZE B | | | | | |

10 9 8 7 6 5 4 3 2 1



LED HOLDER PART NUMBER 180180-0000

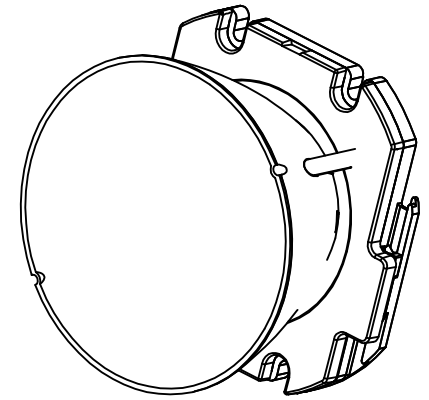
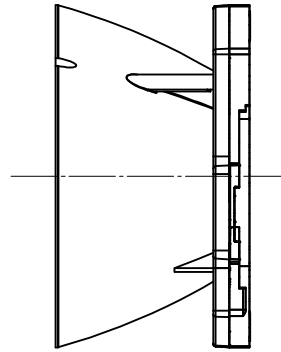
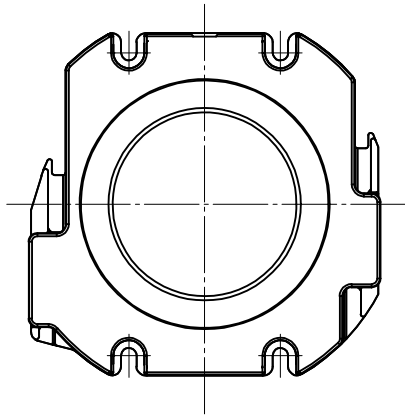
LED HOLDER SHOWN WITH OPTIONAL CLEAR COVER LENS
 MOLEX INDIVIDUAL COVER LENS PART NUMBER 180182-0000
 HOLDER AND LENS ASSEMBLY PART NUMBER 180180-0001

| | | | | | | | | | |
|---|-----------------|---------------------------------------|-----------|---|------------|----------------------------------|------------------------|------------------------|--|
| ENTER DESCRIPTION EC NO: SSL2016-0054 DRWNL:ZAB.JANOVSKI 2016/03/29 CHKD: APPR:GMEYER 2016/04/11 REV | QUALITY SYMBOLS | GENERAL TOLERANCES (UNLESS SPECIFIED) | | DIMENSION STYLE MM ONLY | | SCALE 1:1 | DESIGN UNITS METRIC | THIRD ANGLE PROJECTION | |
| | ▽=0 | mm | INCH | DRAWN BY | DATE | TITLE BRIDGELUX RS LED HOLDER | | | |
| | ▽=0 | 4 PLACES ± --- | ± --- | CCARRANZA | 2010/10/26 | | | | |
| | ▽=0 | 3 PLACES ± --- | ± --- | CHECKED BY | DATE | MATERIAL NO. SEE CHART | | | |
| ▽=0 | 2 PLACES ± 0.13 | ± --- | CCARRANZA | 2012/11/06 | | | | | |
| | | 1 PLACE ± 0.25 | ± --- | APPROVED BY | DATE | DOCUMENT NO. SD-180180-000 | | | |
| | | ANGULAR ±1/2° | | DMCGOWAN | 2010/12/23 | | | | |
| DRAFT WHERE APPLICABLE MUST REMAIN WITHIN DIMENSIONS | | SIZE B | | THIS DRAWING CONTAINS INFORMATION THAT IS PROPRIETARY TO MOLEX INCORPORATED AND SHOULD NOT BE USED WITHOUT WRITTEN PERMISSION | | | | | |

9 8 7 6 5 4 3 2 1

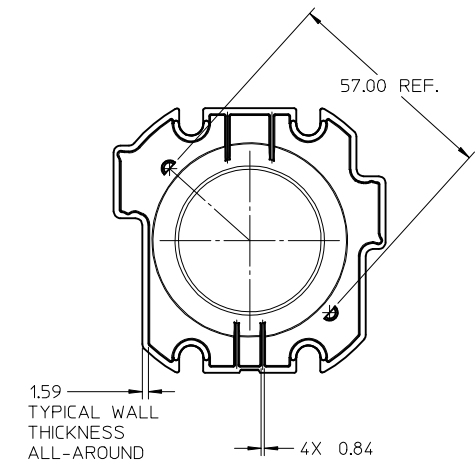
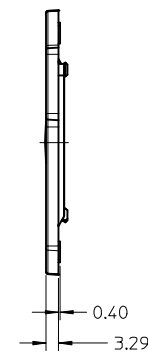
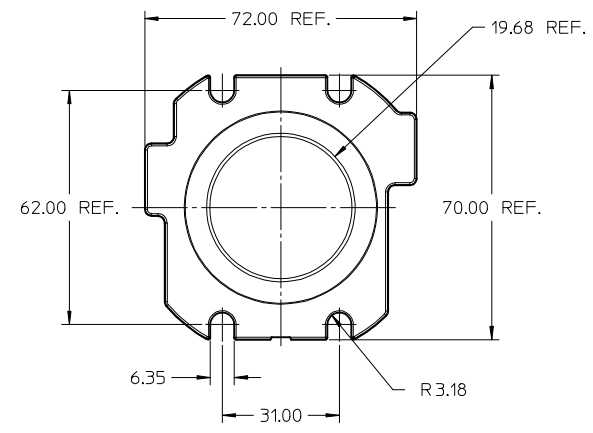
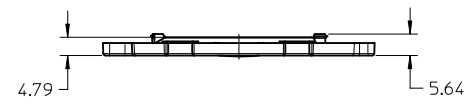
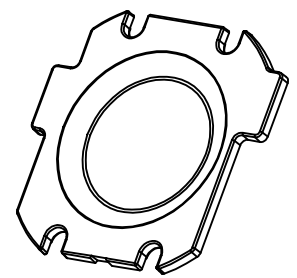
10 9 8 7 6 5 4 3 2 1

SHOWN WITH OPTIONAL REFLECTOR
 SOLD SEPARATELY BY LEDIL @ www.ledil.com



| | | | | | | | | | |
|--|-----------------|--|-----------|----------------------------|------------|----------------------------------|-------------------------------|-------------------------------|---|
| ENTER DESCRIPTION EC NO: SSL2016-0054 DRWNL: ZABJANOVSKI 2016/03/29 CHKD: APPR: GMEYER 2016/04/11 REV | QUALITY SYMBOLS | GENERAL TOLERANCES (UNLESS SPECIFIED) | | DIMENSION STYLE MM ONLY | | SCALE 1:1 | DESIGN UNITS METRIC | THIRD ANGLE PROJECTION | |
| | ▽=0 | mm | INCH | DRAWN BY | DATE | TITLE BRIDGELUX RS LED HOLDER | MATERIAL NO. | DOCUMENT NO. SD-180180-000 | SHEET NO. 4 OF 4 |
| | ▽=0 | 4 PLACES ± --- | ± --- | CCARRANZA | 2010/10/26 | | | | |
| | ▽=0 | 3 PLACES ± --- | ± --- | CHECKED BY | DATE | MATERIAL NO. | DOCUMENT NO. SD-180180-000 | SHEET NO. 4 OF 4 | THIS DRAWING CONTAINS INFORMATION THAT IS PROPRIETARY TO MOLEX INCORPORATED AND SHOULD NOT BE USED WITHOUT WRITTEN PERMISSION |
| ▽=0 | 2 PLACES ± 0.13 | ± --- | CCARRANZA | 2012/11/06 | | | | | |
| | | 1 PLACE ± 0.25 | ± --- | APPROVED BY | DATE | | | | |
| | | ANGULAR ± 1/2° | | DMCGOWAN | 2010/12/23 | | | | |
| | | DRAFT WHERE APPLICABLE MUST REMAIN WITHIN DIMENSIONS | | SEE CHART | | | | | |

9 8 7 6 5 4 3 2 1



NOTES:
 1. MATERIAL: CLEAR POLYCARBONATE UL94HB.
 2. THIS PRODUCT IS ELV AND ROHS COMPLIANT.

| | | | | | | | | | | | |
|--|----------------------|-----------------|--|-------|-----------------------------------|---|--|-------------------------------|---------------------------------------|----------------------------|--|
| INITIAL RELEASE EC NO: SSL2013-0009 DRAWN: MDEVITO 2012/07/24 CHKD: CCARRANZA 2012/07/24 APPR: DMCGOWAN 2012/07/25 | DESCRIPTION REV 1 | QUALITY SYMBOLS | GENERAL TOLERANCES (UNLESS SPECIFIED) | | DIMENSION STYLE MM ONLY | | SCALE 1:1 | DESIGN UNITS METRIC | THIRD ANGLE PROJECTION | | |
| | | ▽=0 | mm | INCH | DRAWN BY MDEVITO | DATE 2012/07/24 | TITLE BRIDGELUX RS LED HOLDER LENS (SALES) | | | | |
| | | ▽=0 | 4 PLACES ± --- | ± --- | CHECKED BY CCARRANZA | DATE 2012/07/24 | | | | | |
| | | ▽=0 | 3 PLACES ± --- | ± --- | APPROVED BY DMCGOWAN | DATE 2012/07/25 | MATERIAL NO. 1801820000 | | DOCUMENT NO. SD-180182-0000 | SHEET NO. 1 OF 1 | |
| ANGULAR ±1/2° | | | DRAFT WHERE APPLICABLE MUST REMAIN WITHIN DIMENSIONS | | | THIS DRAWING CONTAINS INFORMATION THAT IS PROPRIETARY TO MOLEX INCORPORATED AND SHOULD NOT BE USED WITHOUT WRITTEN PERMISSION | | | | | |