

# Terminations

## HN Type

### DC - 8.0 GHz Performance

- Wideband Performance
- 5 Watt Model available
- Low VSWR - 50 Ohm - High Performance.
- Rugged Stainless Steel Construction

Midwest Microwave's HN type series of coaxial low and medium power Terminations provide temperature stable, performance in light weight reasonably sized packages using stainless steel connectors and black anodized finned aluminum housings. The units are designed to optimize performance and reliability with low VSWR performance and are suitable for use in military or commercial systems with Mil-E-5400 and Mil-E-16400 requirements.



### 2 Watts - DC - 8.0 GHz Performance

#### SPECIFICATIONS

**Impedance:** 50 Ohms

**Frequency:** DC - 8.0 GHz

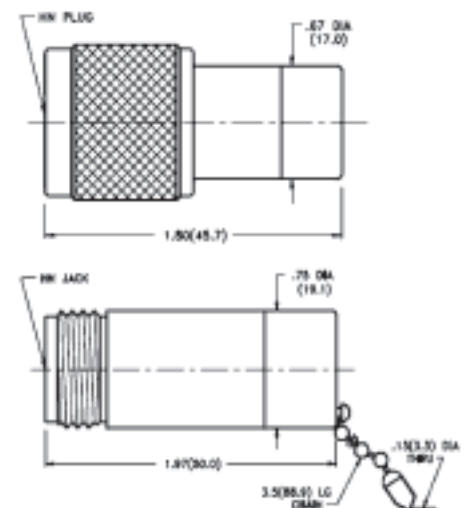
**VSWR:** 1.25 max @ DC - 8.0 GHz

**Power:** 2 Watts average @ +25 °C derated linearly to 0.5 Watts @ +125 °C

**Peak Power:** 1 Kilowatt

**Operating Temperature Range:** -54 °C to +125 °C

DC - 8.0 GHz	2120 Series	Model Numbers
HN Male Plug	HN Male Plug with Chain	
TRM-2120-M0-HN0-02	TRM-2120-MC-HN0-02	
HN Female Jack	HN Female Jack with Chain	
TRM-2120-F0-HN0-02	TRM-2120-FC-HN0-02	



### 5 Watts DC - 8.0 GHz Performance

#### SPECIFICATIONS

**Impedance:** 50 Ohms

**Frequency:** DC - 8.0 GHz

**VSWR:** 1.25 @ DC - 8.0 GHz

**Power:** 5 Watts average @ +25 °C derated linearly to 0.5 Watts @ +125 °C

**Peak Power:** 1 Kilowatt

**Operating Temperature Range:** -54 °C to +125 °C

DC - 8.0 GHz	2121 Series	Model Numbers
HN Male Plug	HN Male Plug with Chain	
TRM-2121-M0-HN0-07	TRM-2121-MC-HN0-07	
HN Female Jack	HN Female Jack with Chain	
TRM-2121-F0-HN0-07	TRM-2121-FC-HN0-07	

