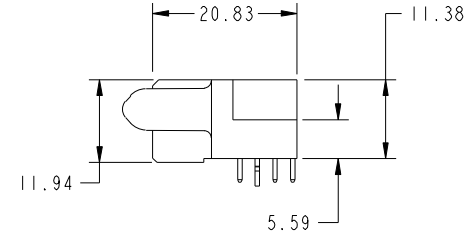
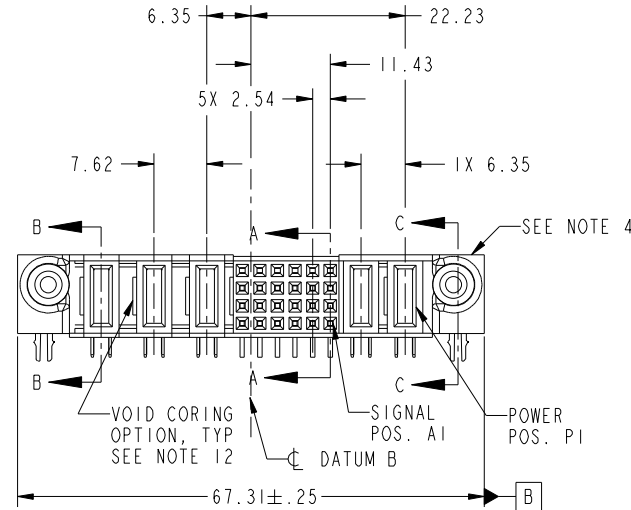
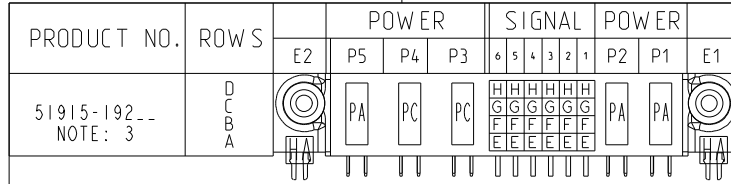


Tous droits strictement reserves. Reproduction ou communication a des tiers interdite sous quelque forme que ce soit sans autorisation écrite du propriétaire. Propriete de c FCI. Droits de reproduction FCI.



All rights strictly reserved. Reproduction or issue to third parties in any form whatever is not permitted without written authority from the proprietor. Property of FCI. Copyright FCI.



| CODE | DIM "M" MATING LENGTH | CONTACT TYPE |
|------|-----------------------|--------------|
| E    | [N/A]                 | SIGNAL       |
| F    | [N/A]                 | SIGNAL       |
| G    | [N/A]                 | SIGNAL       |
| H    | [N/A]                 | SIGNAL       |
| PA   | [1.07]                | POWER        |
| PC   | [2.34]                | POWER        |
| HA   | [N/A]                 | HOLD-DOWN    |

| mat'l code  |                |    |          | SEE NOTE |        | tolerances unless otherwise specified |          | CUSTOMER   |  |
|-------------|----------------|----|----------|----------|--------|---------------------------------------|----------|------------|--|
| ltr         | ecn no.        | dr | date     | linear   | angles | COPY                                  |          | projection |  |
| A           | DG09-0022      | JW | 02/05/09 |          |        | 0.X ± 0.5                             |          |            |  |
|             |                |    |          |          |        | 0.XX ± 0.25                           |          |            |  |
|             |                |    |          |          |        | 0.XXX ± 0.10                          |          |            |  |
|             |                |    |          |          |        | 0° ± 2°                               |          |            |  |
|             |                |    |          | dr       |        | JULIA WANG                            | 02/05/09 |            |  |
|             |                |    |          | enr      |        | JEROME CHEN                           | 02/05/09 |            |  |
|             |                |    |          | chr      |        | GARY HSIEH                            | 02/05/09 |            |  |
|             |                |    |          | appd     |        | JOSEPH HSIA                           | 02/05/09 |            |  |
| sheet index | revision sheet | A  | A        | A        | A      |                                       |          |            |  |
|             |                | 1  | 2        | 3        | 4      |                                       |          |            |  |

|  |  |           |  |                |  |       |  |
|--|--|-----------|--|----------------|--|-------|--|
| www.fciconnect.com                       |  | title     |  | product family |  | code  |  |
| 2P + 24S + 3ACP<br>R/A SOLDER RECEPTACLE |  | PwrBlade  |  | 213            |  | sheet |  |
| size                                     |  | dwg no    |  | 1 of 4         |  |       |  |
| A  |  | 51915-192 |  |                |  |       |  |
| scale                                    |  | 1:1       |  |                |  |       |  |
| cage code                                |  | 22526     |  |                |  |       |  |

Pro/E

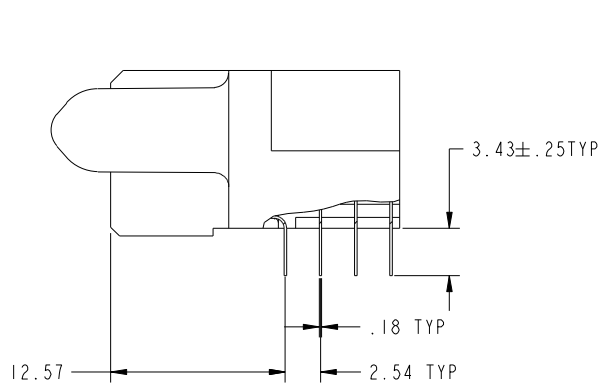
cage code 22526

Tous droits strictement reserves. Reproduction ou communication a des tiers interdite sous quelque forme que ce soit sans autorisation écrite du propriétaire. Propriete de c FCI. Droits de reproduction FCI.

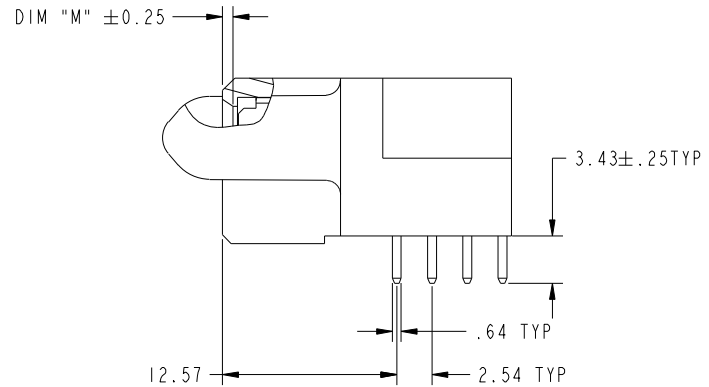


All rights strictly reserved. Reproduction or issue to third parties in any form whatever is not permitted without written authority from the proprietor. Property of FCI. Copyright FCI.

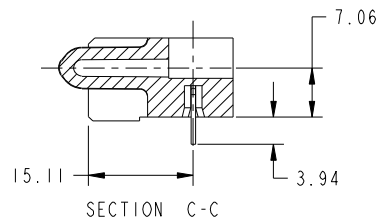
PRODUCT NUMBER  
51915-192--  
NOTE: 3



BROKEN-OUT SECTION A-A  
SCALE 2:1



BROKEN-OUT SECTION B-B  
SCALE 2:1



SECTION C-C

|             |                |          |      |                                       |                      |            |  |  |  |
|-------------|----------------|----------|------|---------------------------------------|----------------------|------------|--|--|--|
| mat'l code  |                | SEE NOTE |      | tolerances unless otherwise specified |                      | CUSTOMER   |  | www.fciconnect.com                       |  |
| ltr         | ecr no.        | dr       | date | linear                                | 0.X ±0.5             | COPY       |  | title                                    |  |
| A           |                |          |      |                                       | 0.XX ±0.25           | projection |  | 2P + 24S + 3ACP<br>R/A SOLDER RECEPTACLE |  |
|             |                |          |      | angles                                | 0.XXX ±0.10          |            |  | product family PwrBlade code             |  |
|             |                |          |      | dr                                    | 0 ±2°                |            |  | size                                     |  |
|             |                |          |      | enr                                   | JULIA WANG 02/05/09  | scale      |  | 213                                      |  |
|             |                |          |      | chr                                   | JEROME CHEN 02/05/09 | 1:1        |  | sheet                                    |  |
|             |                |          |      | appd                                  | GARY HSIEH 02/05/09  |            |  | 2  |  |
|             |                |          |      |                                       | JOSEPH HSIA 02/05/09 |            |  | 51915-192                                |  |
| sheet index | revision sheet |          |      |                                       |                      |            |  | cage code                                |  |
|             |                |          |      |                                       |                      |            |  | 22526                                    |  |

Pro/E

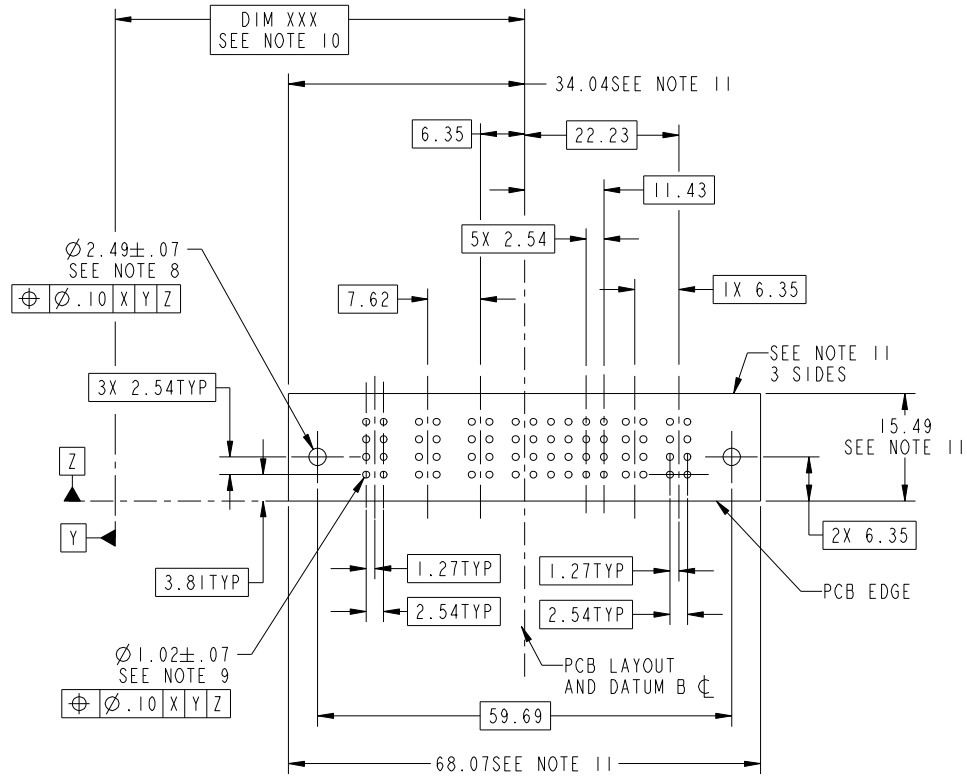
cage code 22526

Tous droits strictement reserves. Reproduction ou communication a des tiers interdite sous quelque forme que ce soit sans autorisation écrite du propriétaire. Propriete de c FCI. Droits de reproduction FCI.



All rights strictly reserved. Reproduction or issue to third parties in any form whatever is not permitted without written authority from the proprietor. Property of FCI. Copyright FCI.

PRODUCT NUMBER  
51915-192\_-  
NOTE: 3



|             |                |          |      |                                       |                      |            |  |                       |  |                    |       |
|-------------|----------------|----------|------|---------------------------------------|----------------------|------------|--|-----------------------|--|--------------------|-------|
| mat'l code  |                | SEE NOTE |      | tolerances unless otherwise specified |                      | CUSTOMER   |  | FCI                   |  | www.fciconnect.com |       |
| ltr         | ecn no.        | dr       | date | linear                                | 0.X ± 0.5            | COPY       |  | title                 |  |                    |       |
| A           |                |          |      |                                       | 0.XX ± 0.25          | projection |  | 2P + 24S + 3ACP       |  |                    |       |
|             |                |          |      | angles                                | 0.XXX ± 0.10         | MIM        |  | R/A SOLDER RECEPTACLE |  |                    |       |
|             |                |          |      | dr                                    | 0° ± 2°              | scale      |  | product family        |  | PwrBlade           | code  |
|             |                |          |      | enr                                   | JULIA WANG 02/05/09  | 1:1        |  | size                  |  | A                  | 213   |
|             |                |          |      | enr                                   | JEROME CHEN 02/05/09 |            |  | dwg no                |  | 51915-192          | sheet |
|             |                |          |      | chr                                   | GARY HSIEH 02/05/09  |            |  | sheet                 |  | 3                  |       |
|             |                |          |      | appd                                  | JOSEPH HSIA 02/05/09 |            |  | cage code             |  | 22526              |       |
| sheet index | revision sheet |          |      |                                       |                      |            |  |                       |  |                    |       |

Pro/E

cage code 22526

Tous droits strictement reserves. Reproduction ou communication a des tiers interdite sous quelque forme que ce soit sans autorisation écrite du propriétaire. Propriete de c FCI. Droits de reproduction FCI.



All rights strictly reserved. Reproduction or issue to third parties in any form whatever is not permitted without written authority from the proprietor. Property of FCI. Copyright FCI.

PRODUCT NUMBER  
51915-192--  
NOTE: 3

NOTES:

1. DIMENSIONS AND TOLERANCES ARE IN ACCORDANCE WITH ASME Y14.5M, 1994 UNLESS OTHERWISE SPECIFIED.

CONNECTOR NOTES:

2. HOUSING MATERIAL: UL 94 V-0 GLASS FILLED  
HIGH-TEMP THERMOPLASTIC  
POWER CONTACT MATERIAL: COPPER ALLOY  
SIGNAL PIN MATERIAL: COPPER ALLOY

3. PLATING:  
SEE ITEM 5 & 6 IN PRINT 10064183 FOR PLATING SPEC OF 51915-192; 51915-192LF PRESPECTIVELY

4. MANUFACTURER'S NAME, P/N, AND DATE CODE TO APPEAR ON THIS SURFACE.

5. PRODUCT SPECIFICATION GS-12-149.  
APPLICATION SPECIFICATION BUS-20-067.

6. PACKAGED IN TRAYS.

PCB NOTES:

7. ALL HOLE DIAMETERS ARE FINISHED HOLE SIZE.

8. MOUNTING HOLES, WHERE APPLICABLE, ARE UNPLATED.

9.  $\varnothing 1.151 \pm 0.025$  DRILLED HOLES PLATED WITH  
0.008 MIN SnPb OR Sn OVER 0.03  
TO 0.08 Cu PLATING TO ACHIEVE  
 $\varnothing 1.02 \pm .07$  HOLE.

10. "DIM XXX" TO BE DETERMINED BY THE CUSTOMER.

11. CONNECTOR KEEP-OUT ZONE.

12. THE VOID CORING IN BETWEEN POWER MODULES, SIGNAL MODULES AND END MODULES ARE OPTIONAL AND THE SHAPE MAY BE DIFFERENT FOR OPTIMIZING THE MODING PROCESS THE VOID CORING WILL NOT EFFECT TO PRODUCT FUNCTION.

|             |         |                |      |                                       |                      |            |  |                |  |                       |       |
|-------------|---------|----------------|------|---------------------------------------|----------------------|------------|--|----------------|--|-----------------------|-------|
| mat'l code  |         | SEE NOTE       |      | tolerances unless otherwise specified |                      | CUSTOMER   |  | FCI            |  | www.fciconnect.com    |       |
| ltr         | ecn no. | dr             | date | linear                                | 0.X ± 0.5            | COPY       |  |                |  | title                 |       |
| A           |         |                |      |                                       | 0.XX ± 0.25          | projection |  |                |  | 2P + 24S + 3ACP       |       |
|             |         |                |      | angles                                | 0.XXX ± 0.10         |            |  |                |  | R/A SOLDER RECEPTACLE |       |
|             |         |                |      | dr                                    | JULIA WANG 02/05/09  | MIM        |  | product family |  | PwrBlade              | code  |
|             |         |                |      | enrg                                  | JEROME CHEN 02/05/09 |            |  | size           |  | dwg no                | 213   |
|             |         |                |      | chr                                   | GARY HSIEH 02/05/09  | scale      |  | A              |  | 51915-192             | sheet |
|             |         |                |      | appd                                  | JOSEPH HSIA 02/05/09 | 1:1        |  |                |  | 4                     |       |
| sheet index |         | revision sheet |      |                                       |                      |            |  |                |  |                       |       |

cage code 22526

Pro/E