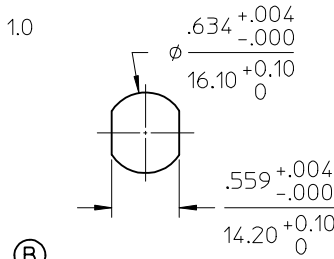
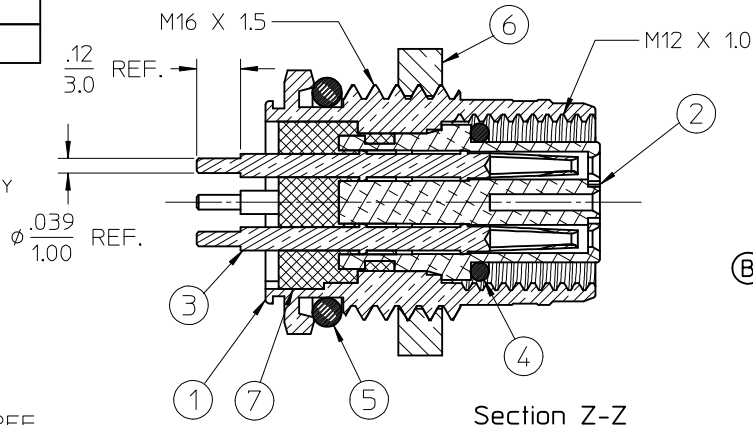
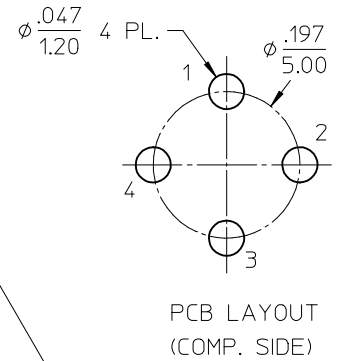
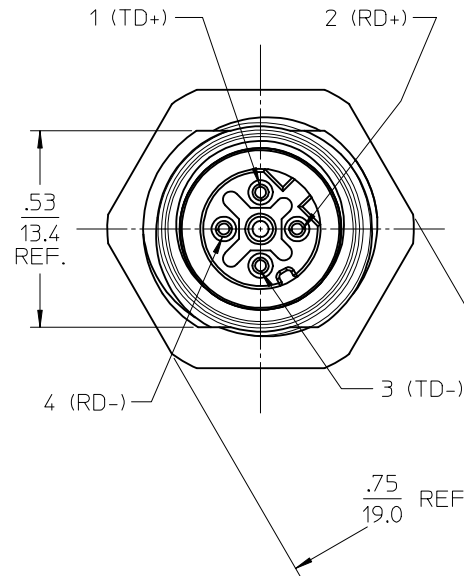
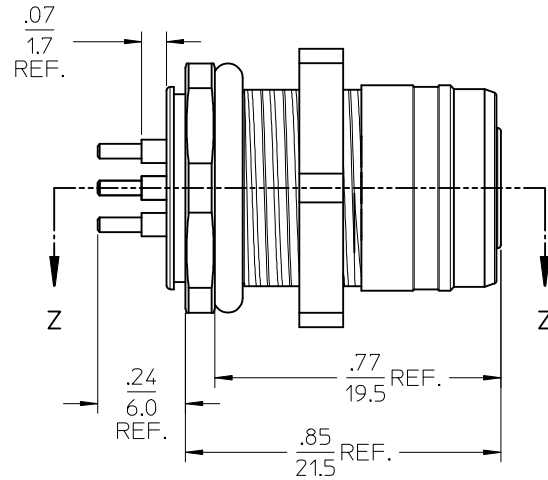
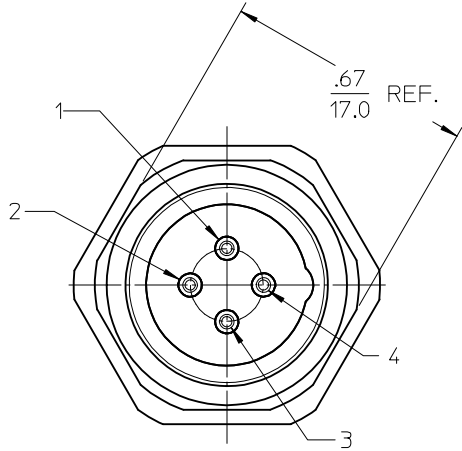
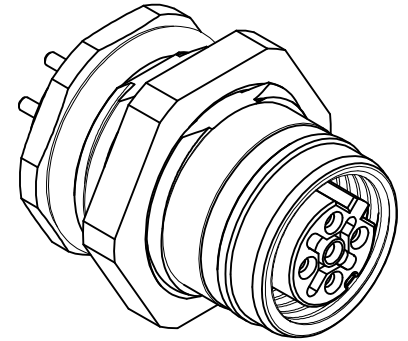


10	9	8	7	6	5	4	3	2	1
MATERIAL NO. 1201095005		ENGINEERING NO. ERWD2U70							

- NOTES:
 1. MATERIAL: SEE TABLE
 2. FINISHES: SEE TABLE
 3. MATES WITH: ULTRA-LOCK MALE CORD ASSY
 4. ELECTRICAL SPECIFICATIONS:
 VOLTAGE RATING: 250V
 CURRENT RATING: 4 AMPS
 5. ASSEMBLY IS RoHS COMPLIANT



(B) TYPICAL KNOCKOUT



PCB LAYOUT (COMP. SIDE)

7	1	POTTING MATERIAL	EPOXY	
6	1	PANEL NUT, M16 X 1.5	Cu ALLOY	NICKEL PLATED
5	1	O-RING (PANEL SEAL)	BUNA-N	BLACK
4	4	O-RING (MATING INTERFACE)	VITON	RED
3	4	CONTACT SOCKET	Cu ALLOY	GOLD PLATED
2	1	INSERT	NYLON	BLACK
1	1	RECEPTACLE SHELL	BRASS	NICKEL PLATED
ITEM	QTY.	DESCRIPTION	MATERIAL	FINISH

REV'D KNOCKOUT DIMS	QUALITY SYMBOLS
EC NO: PG2014-0062	▽=0
DRW:RSTONE 2013/07/08	▽=0
CHKD:BW 2013/07/11	
APPR:WOODMAN 2013/08/16	
DESCRIPTION	
REV	

GENERAL TOLERANCES (UNLESS SPECIFIED)
4 PLACES ± .005 ± .005
3 PLACES ± .005 ± .005
2 PLACES ± .005 ± .01
1 PLACE ± 0.3 ± .005
ANGULAR ± 1/2°
DRAFT WHERE APPLICABLE MUST REMAIN WITHIN DIMENSIONS

DIMENSION STYLE	IN/MM
DRAWN BY	DATE
R.STONE	2009/05/13
CHECKED BY	DATE
B.WOODMAN	2009/05/14
APPROVED BY	DATE
J.MURPHY	2009/05/18
MATERIAL NO.	
SEE CHART	
SIZE	B

SCALE	3:1	DESIGN UNITS	INCH	THIRD ANGLE PROJECTION
TITLE				
ULTRA-LOCK RECEPTACLE FEMALE, 4/C, D-CODE BACK MT, M16 THREAD				
MOLEX INCORPORATED				
DOCUMENT NO.			SHEET NO.	
SD-120109-004			1 OF 1	