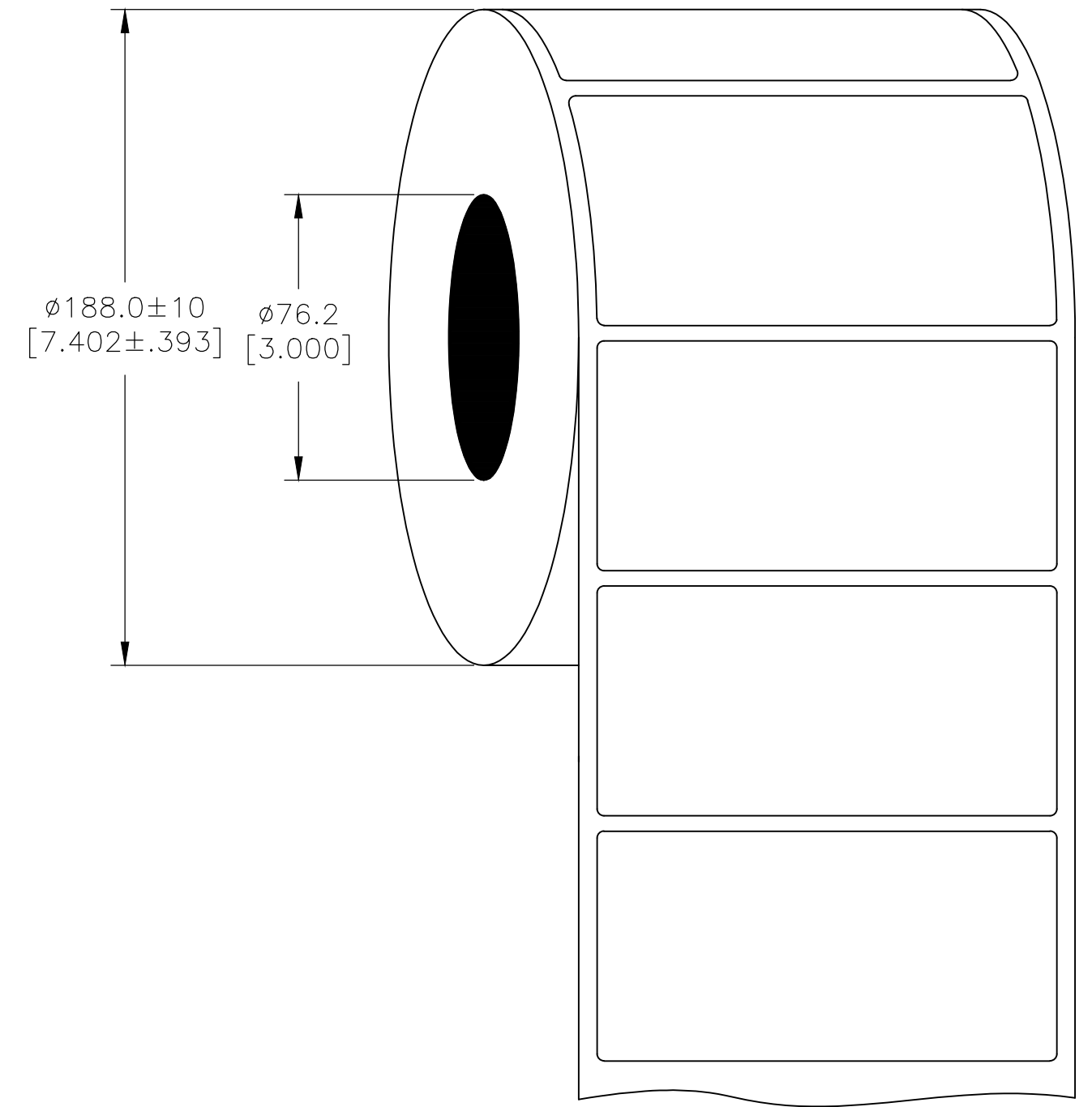
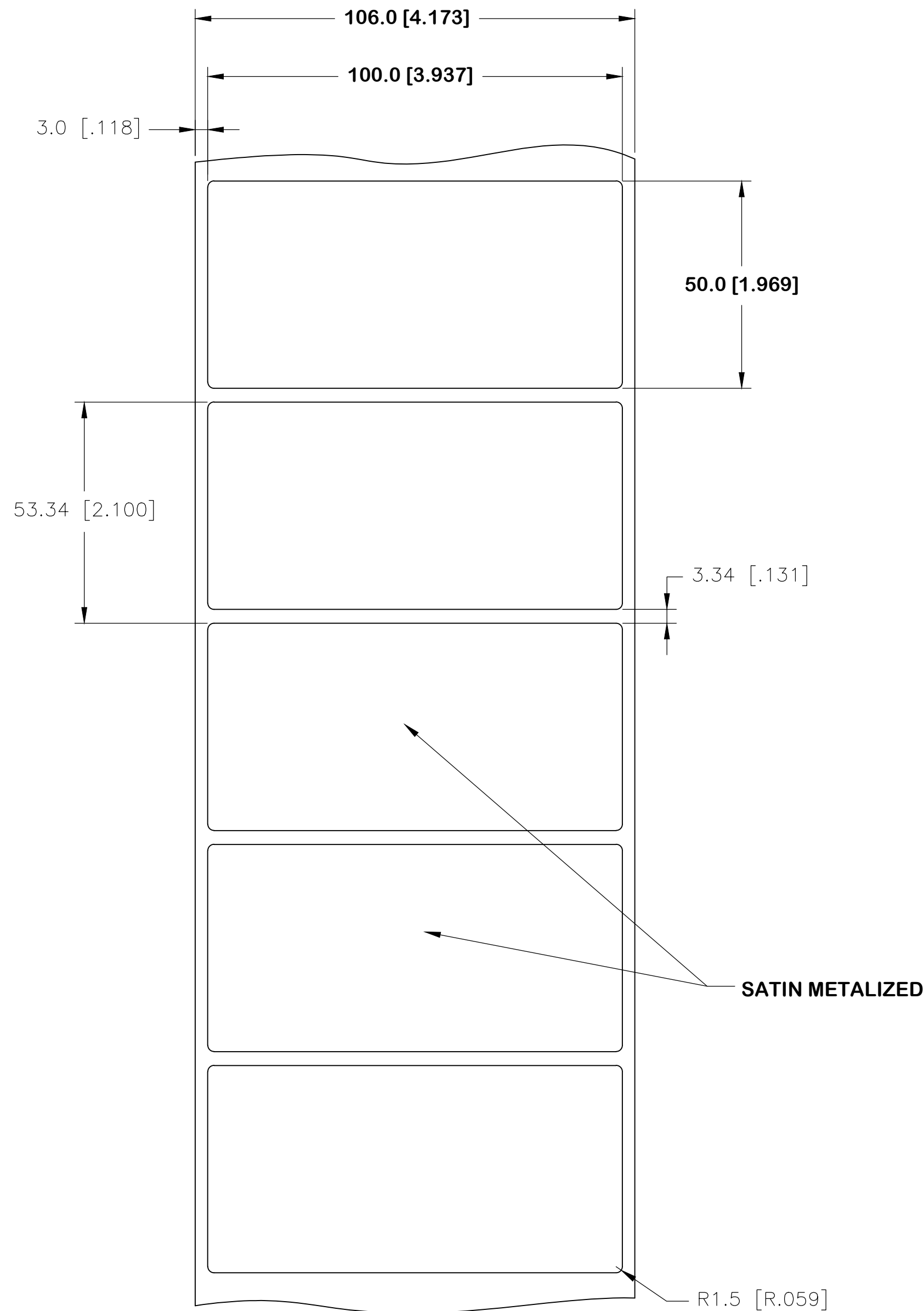


REVISIONS					
P	LTR	DESCRIPTION	DATE	DWN	APVD
	A	NEW DRAWING	04OCT2017	GK	DB
	A1	UL TABLE UPDATED	06JUN2018	GK	DB

LABEL AND LINER DESIGN

PRESENTATION



All dimensions in mm [Inch]

TE PN: 2322614-1

UL-MARKING AND LABELLING SYSTEMS	
PGJ12 - Printing Materials - Component (UL 969)	
PGJ18 - Printing Materials Certified for Canada - Component (CSA C22.2 No. 0.15)	
File: MH17292	Product design: PL-8A Ribbon: TTB-XXXSC/YYYYAQ529

TOLERANCES mm [INCH]	
LABEL HEIGHT:	± 0.3 [.012]
LABEL WIDTH:	± 0.3 [.012]
WEB WIDTH:	± 0.5 [.020]
VERTICAL REPEAT:	± 0.5 [.020]*
HORIZONTAL REPEAT:	± 0.5 [.020]*
LABEL POSITIONING:	± 0.5 [.020]*
LEFT MARGIN:	± 0.5 [.020]
QUANTITY:	-0 % +2 %
*NON ACCUMULATING	

MATERIAL		POLYESTER SATIN METALIZED	
ADHESIVE TYPE		ACRYLIC PE FOAM	
LINEAR		BROWN KRAFT	
DWN	04OCT2017	GOPALAKRISHNA HV	
CHK	04OCT2017	D.BURGAT	
APVD	04OCT2017	D.BURGAT	
PRODUCT SPEC	TTDS-245		
APPLICATION SPEC	-		
WEIGHT	2.355g	SIZE	A2
CUSTOMER DRAWING	SCALE	N.T.S.	SHEET 1 OF 1
REV	A1	RESTRICTED TO	