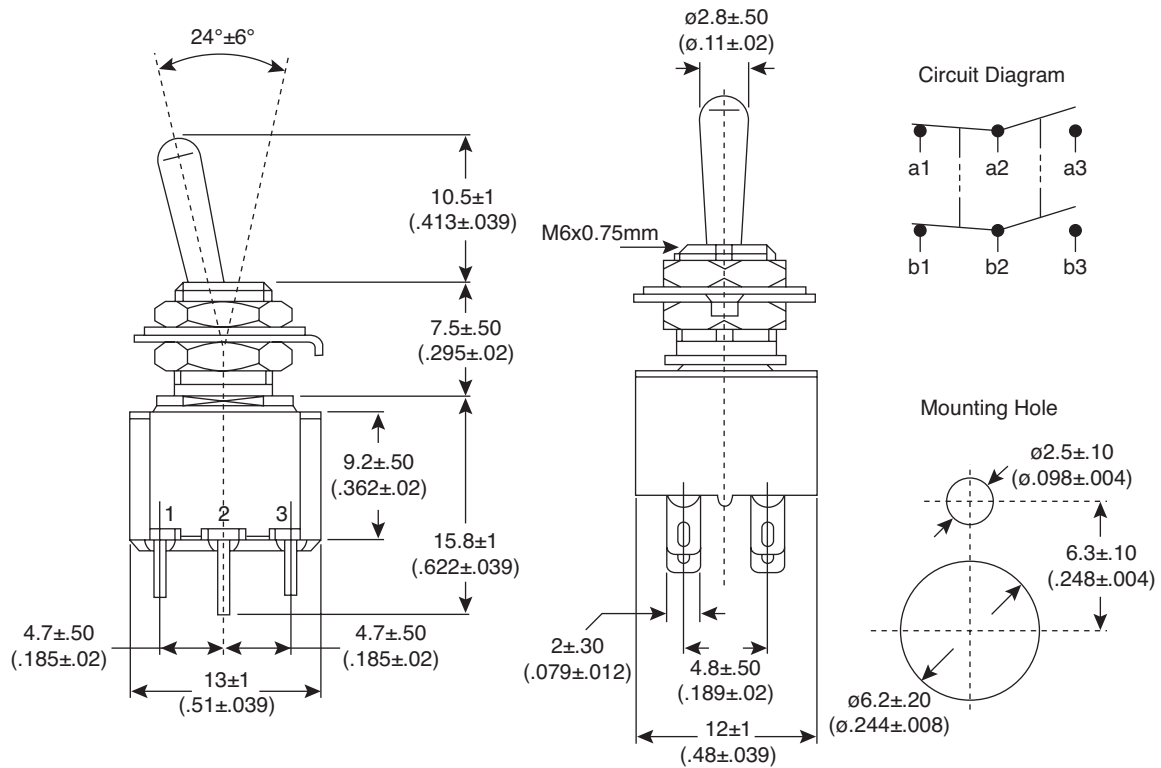


Dimensions: mm (in.)



Electrical Specifications:

- Rating: 6A/125VAC, 3A/250VAC
- Contact resistance: 50m Ω max
- Insulation resistance: 100M Ω min. 500VDC
- Dielectric strength: 1000VAC 1 min

Mechanical Specifications:

- Operating temperature: -20°C to +65°C
- Circuit: 6P DPDT On-On

Note:

- RoHS Compliant by Exemption

Miniature Toggle Switch
1055-TA1160B-EVX

