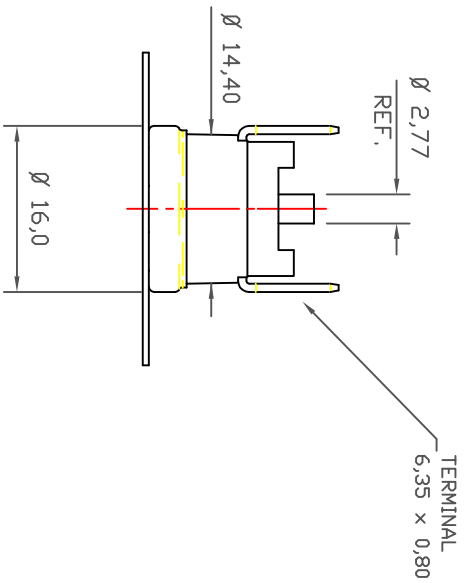
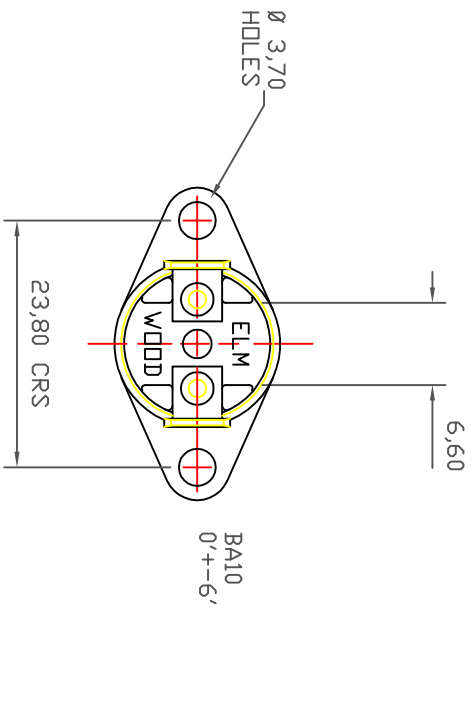


THERMOSTAT TECHNICAL DATA	
<b>THERMAL PERFORMANCE</b>	
OPEN TEMP :	106°C +- 4°C
CLOSE TEMP :	MANUAL RESET
TEMP CODE :	L106C
<b>ELECTRICAL PERFORMANCE</b>	
VOLTAGE :	240 VOLTS AC
LOAD :	10 AMPS
CONTACT RESISTANCE :	50 MILLI OHMS MAX
<b>COMPONENT DETAILS</b>	
CAP/BRACKET (B201) :	STAINLESS STEEL
TERMINALS (T147) :	STEEL (NICKEL PLATING)
BASE (3450RCM) :	CERAMIC
CONTACTS :	SILVER PLATING
<b>CODING REQUIREMENTS</b>	
	L106C
	9082-443
	3450RCM
	U
	DATE CODE(e.g. U95G)



THERMOSTAT 3450RCM-9082-443

2 : 1

950150