



PART NO. : TG22-3506NDRL

16PIN SMT 10/100BASE-TX ISOLATION MODULE
IEEE802.3u APPLICATIONS

RoHS COMPLIANT

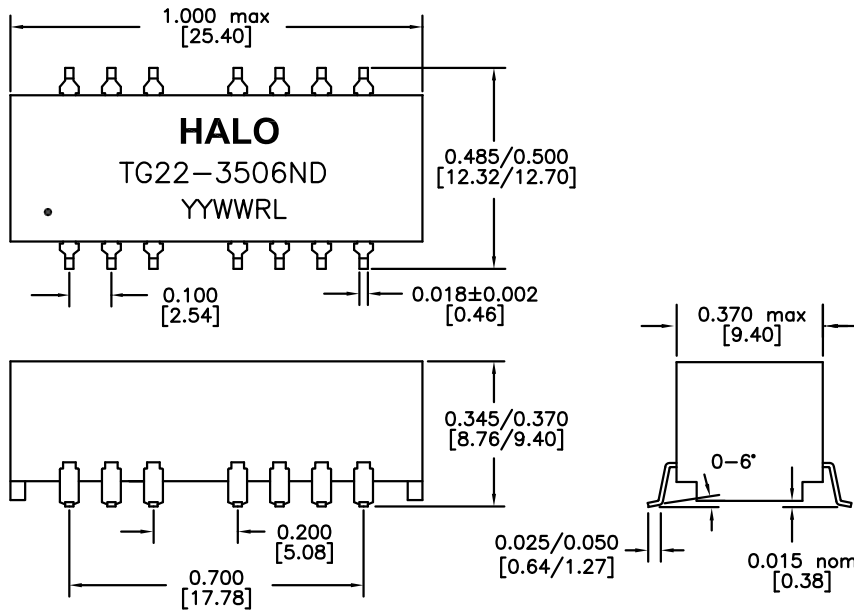
COMPATIBLE TO LEAD-FREE SOLDERING PROCESS
CONDITION PER IPC/JEDEC J-STD-020C

OPERATING TEMPERATURE 0/+70°C

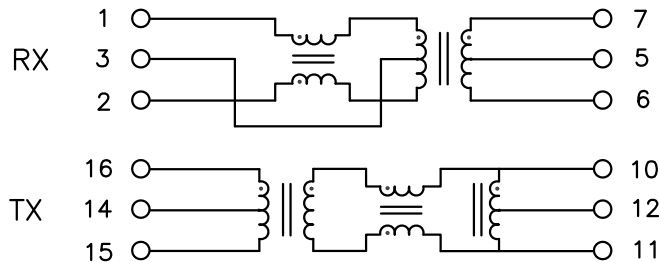
ELECTRICAL SPECIFICATIONS @25°C

TURN RATIO		
TX P16-15:P10-11		1CT:1CT ±3%
RX P1-2:P7-6		1CT:1CT ±3%
OCL (100KHz,0.1Vrms,8mA)		350µH min*
DCR P16-15,P7-6		0.9Ω max
LL (1MHz)		0.4µH max
Cw/w		15pF typ
INSERTION LOSS		
0.1-100MHz		-1.1dB max
RETURN LOSS		
0.5-30MHz		-18dB min
40MHz		-15.5dB min
50MHz		-13.6dB min
60-80MHz		-12dB min
CROSSTALK 0.1-100MHz		-38dB min
CMR 0.1-100MHz		-40dB typ
ISOLATION		1,500Vrms

* Minimum 320µH over -10/+70°C



DIMENSIONS: Inch[mm]
CO-PLANARITY: 0.004[0.10]
TOLERANCES: ±0.005 INCH IF NOT SPECIFIED



HALO/PBL

CALIFORNIA, USA
KOWLOON, HONG KONG
SINGAPORE

TITLE	ISOLATION MODULE		SIGNATURES	DATE	REV.	DESC.	DATE
FOR	10/100BASE-TX		DRAWN LI ZHI ZHONG	4/13/05	A	FIRST ISSUE	4/13/05
PART NO.	TG22-3506NDRL		CHECKED LEI KEONG	1/13/14	B	UPDATE	10/24/05
SCALE	NONE	PAGE 1 OF 2	APPROVED PETER LU	1/13/14	C	PROD. RELEASE	5/19/06
			FILE TG22NDRL.DWG		D	ADD TEMP NOTE	1/13/14

