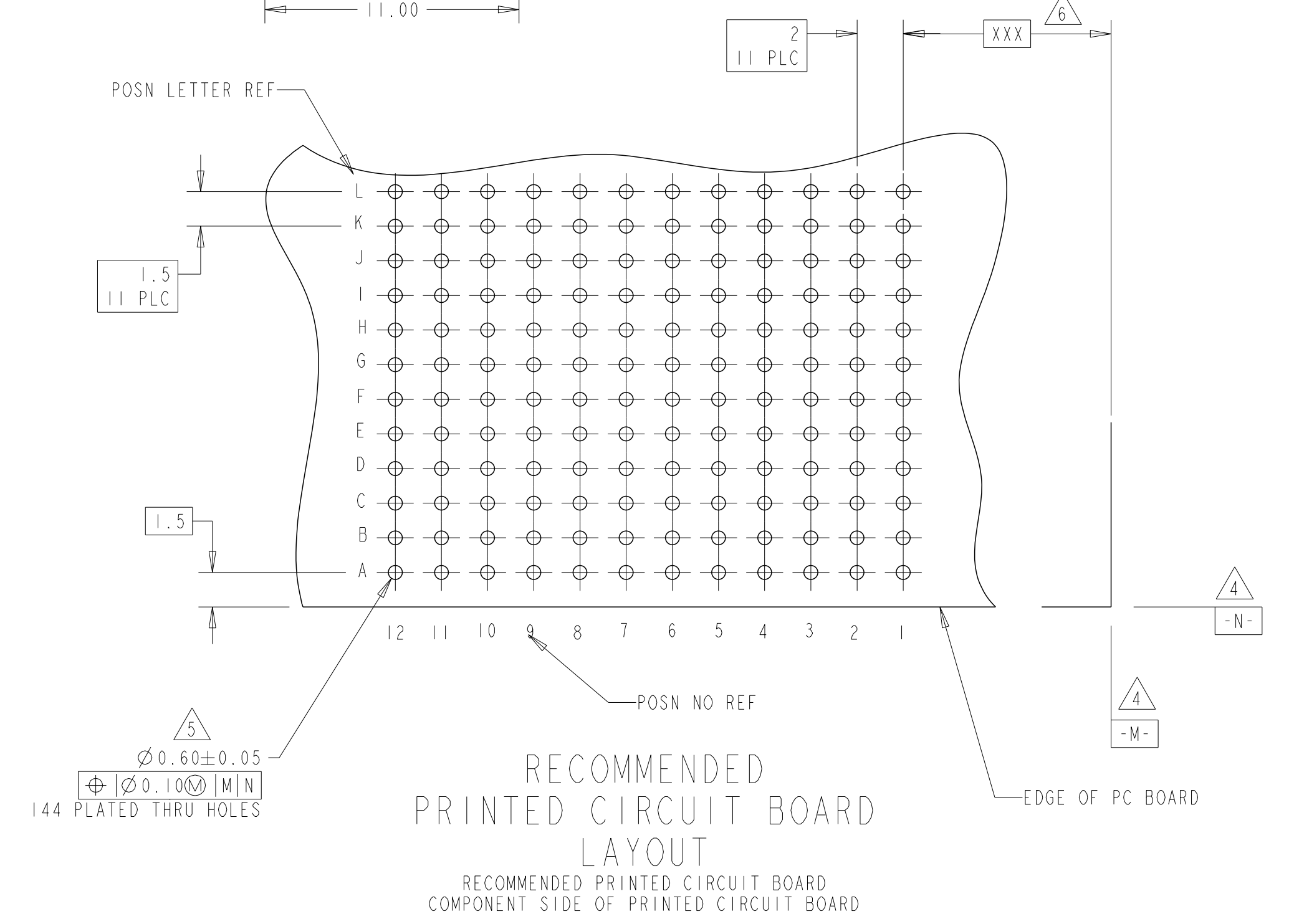
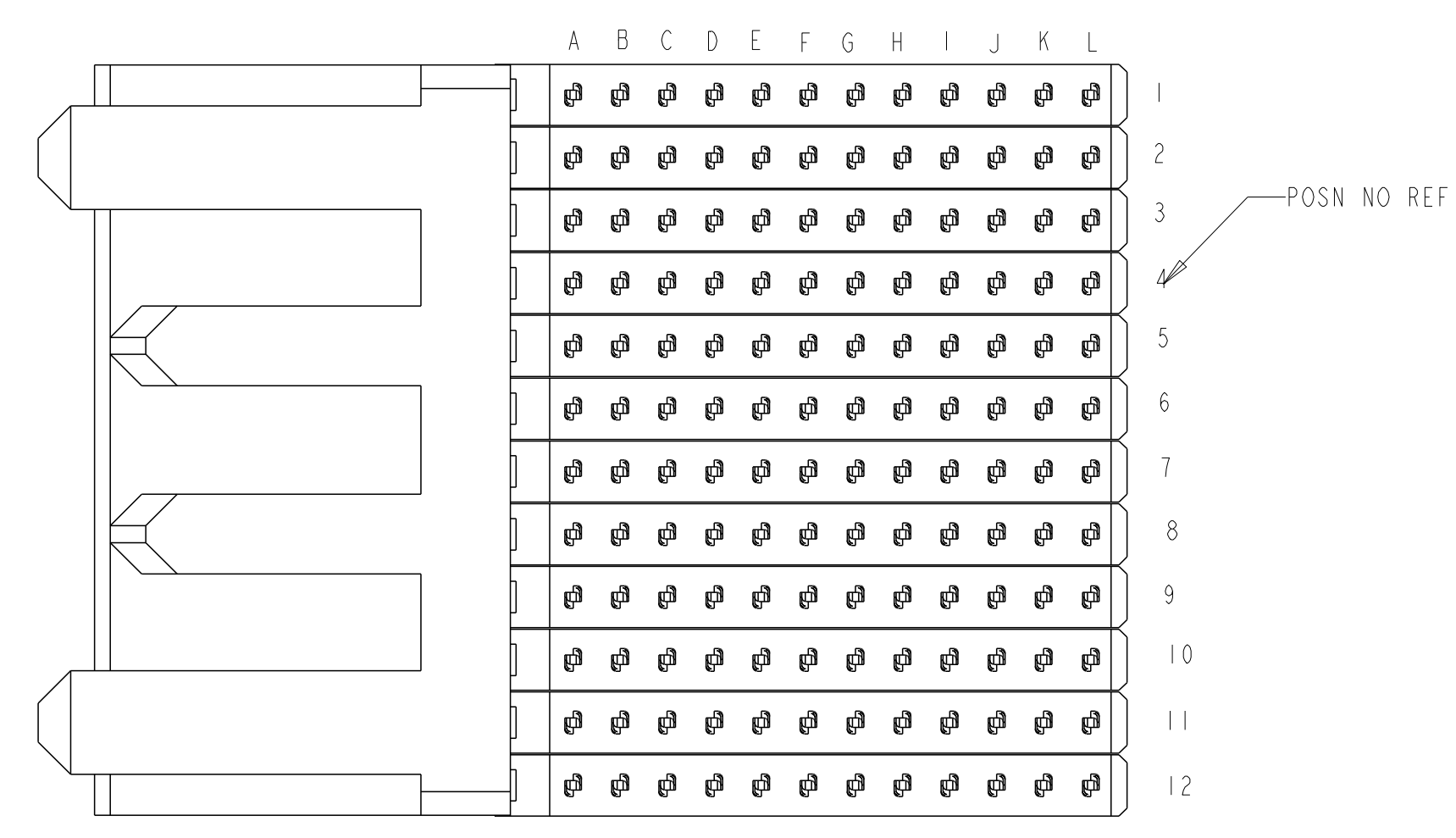
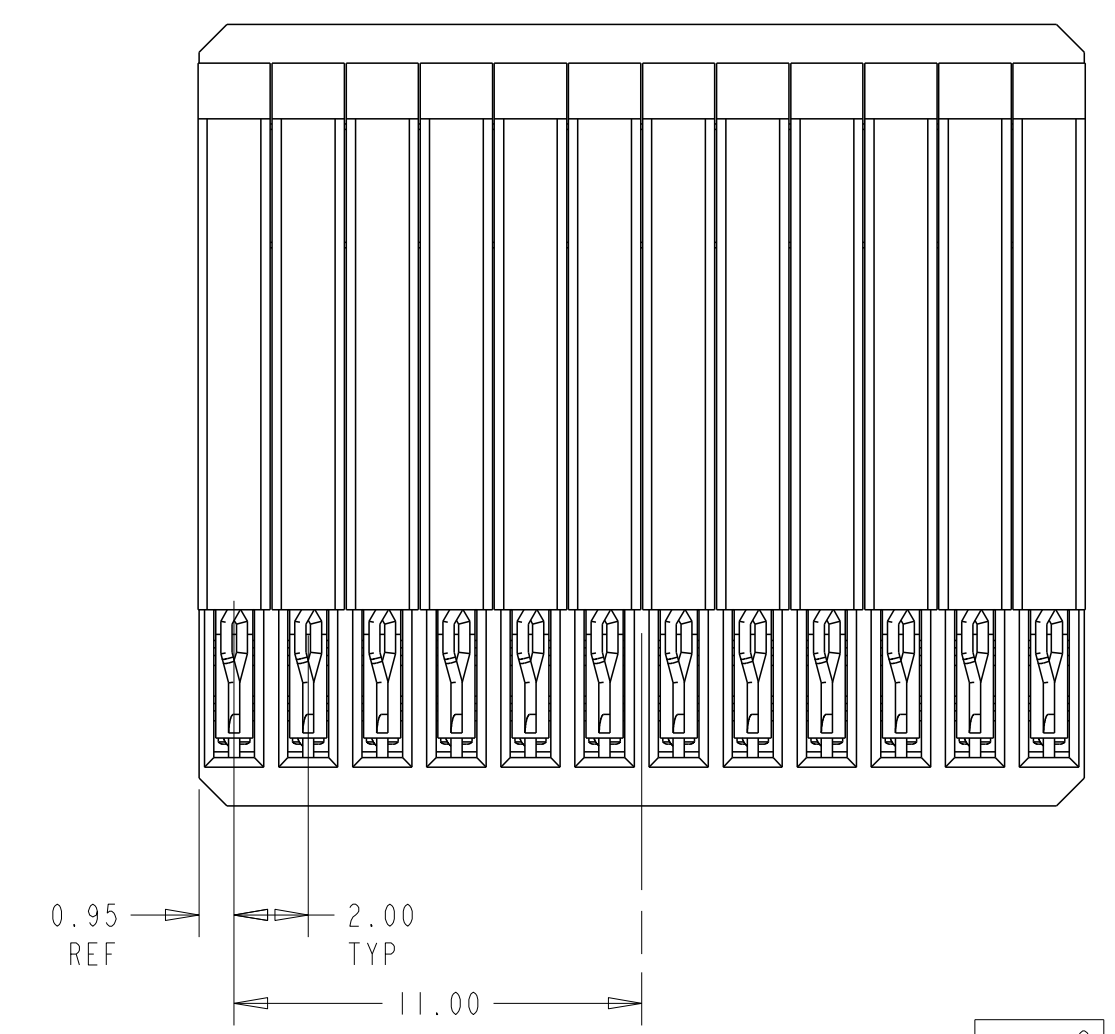
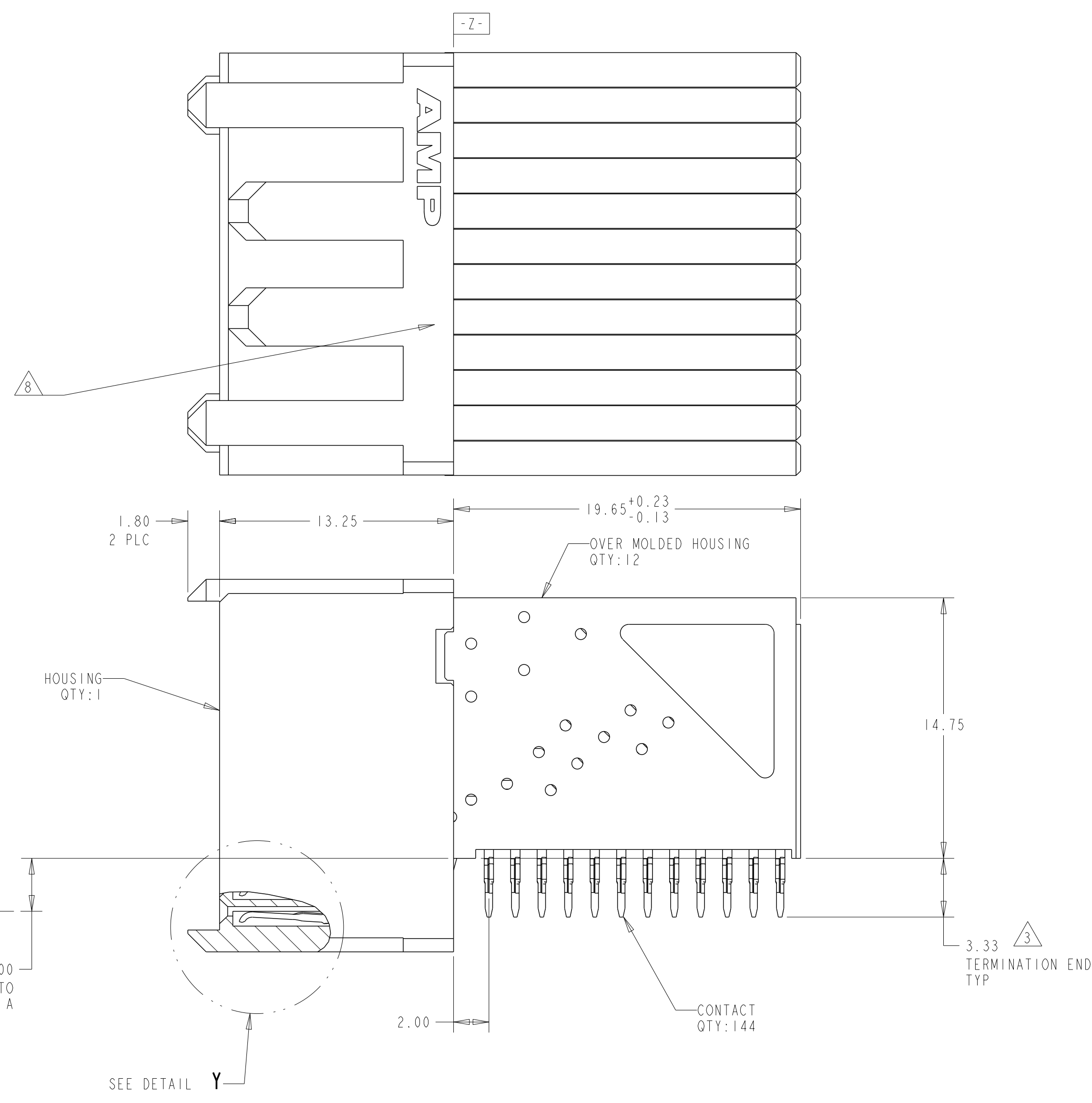
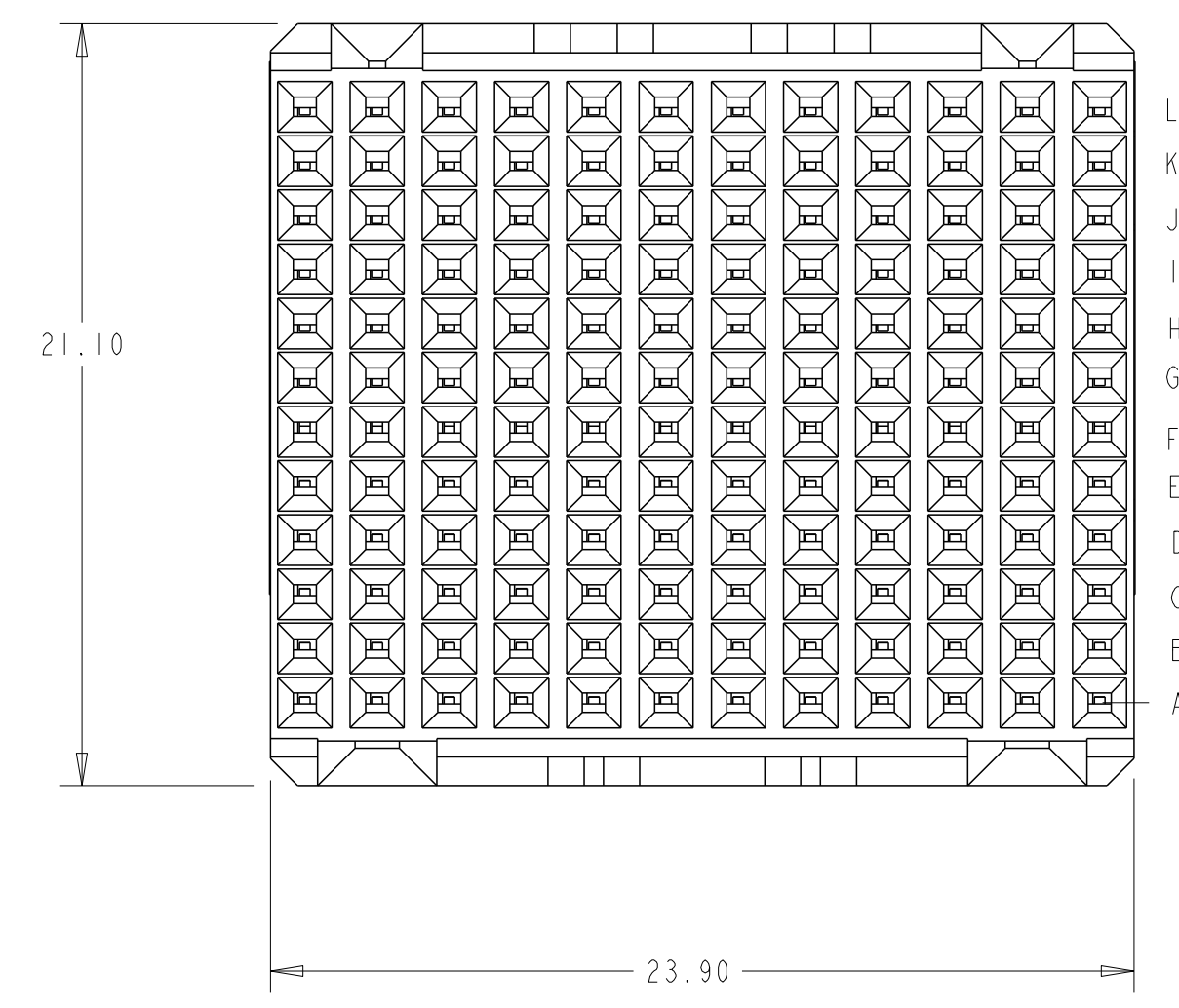
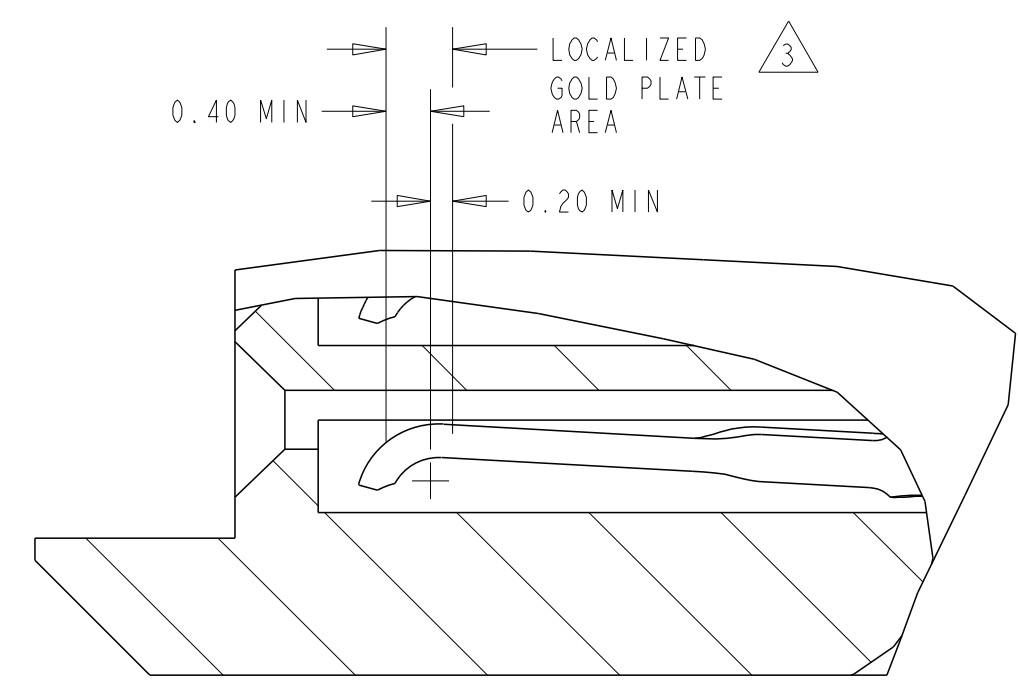


LOC	DIST	REVISIONS			
P	LTR	DESCRIPTION	DATE	DRN	APVD
A		INITIAL RELEASE	10MAY11	RC	CW



- 1 GLASS FILLED POLYESTER, BLACK
- 2 PHOSPHOR BRONZE
- 3 CONFORMS TO ALL TESTING ACCORDING TO IEC 61076-4-101 PERFORMANCE LEVEL 2.
- 4 DATUMS ESTABLISHED BY CUSTOMER.
- 5 DRILLED HOLE DIAMETER 0.700±0.025
COPPER THK 0.025-0.05
TIN THICKNESS 0.004-0.01
- 6 DIMENSION ESTABLISHED BY CUSTOMER.
- 7 GENERAL PLATING SPECIFICATION: UNDERPLATING (ENTIRE CONTACT): 1.27um MIN NICKEL AND ACTION PIN: 0.5um MIN TIN.
FOR PLATING OF MATING SURFACES SEE APPLICABLE SPECIFICATION REFERENCE FOR EACH DASH NUMBER.
- 8 CONNECTOR PRINTED WITH PART NUMBER AND DATE CODE, LOCATED APPROXIMATELY AS SHOWN.



DETAIL Y
SCALE 15:1

THIS DRAWING IS A CONTROLLED DOCUMENT.		DRN RAYMOND CAO	TOMAY11	TE Connectivity	
DIMENSIONS: mm		CHK ALEX SHOAL	TOMAY11	RECEPTACLE ASSEMBLY, 144 POSITION, 12 ROW, Z-PACK HM	
TOLERANCES UNLESS OTHERWISE SPECIFIED:		APVD MANOJIAN WANG	TOMAY11	SIZE CAGE CODE DRAWING NO. RESTRICTED TO	
0 PLC ±0.2		PRODUCT SPEC		A1 00779 ©=1645568	
1 PLC ±0.2		APPLICATION SPEC		SCALE 5:1 SHEET 1 OF 1 REV A	
2 PLC ±0.2		WEIGHT			
3 PLC ±0.2		FINISH			
4 PLC ±0.2		CONTACTS: 3	7		
MATERIAL HOUSING: 1		CONTACTS: 2	7		