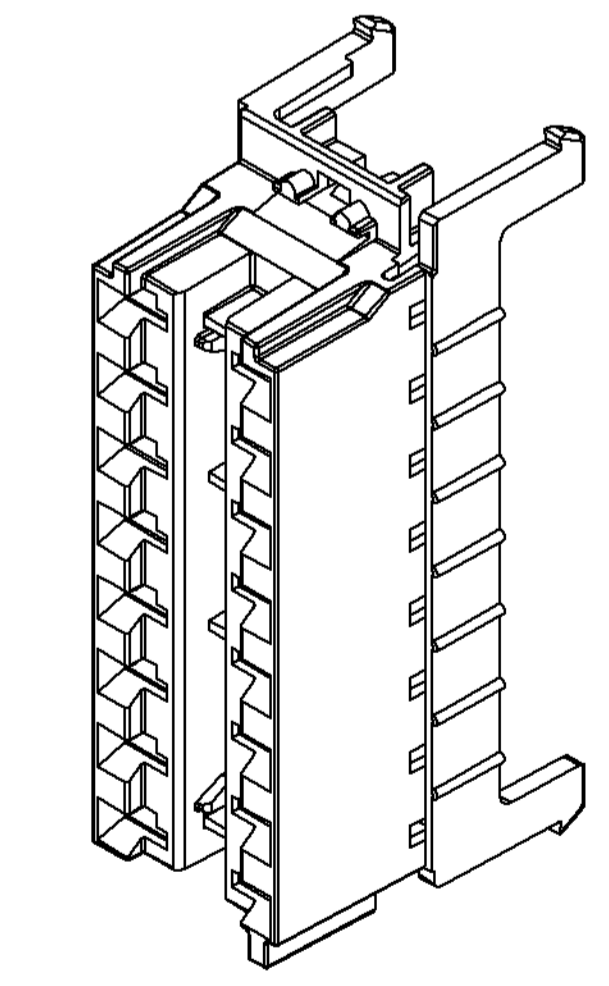
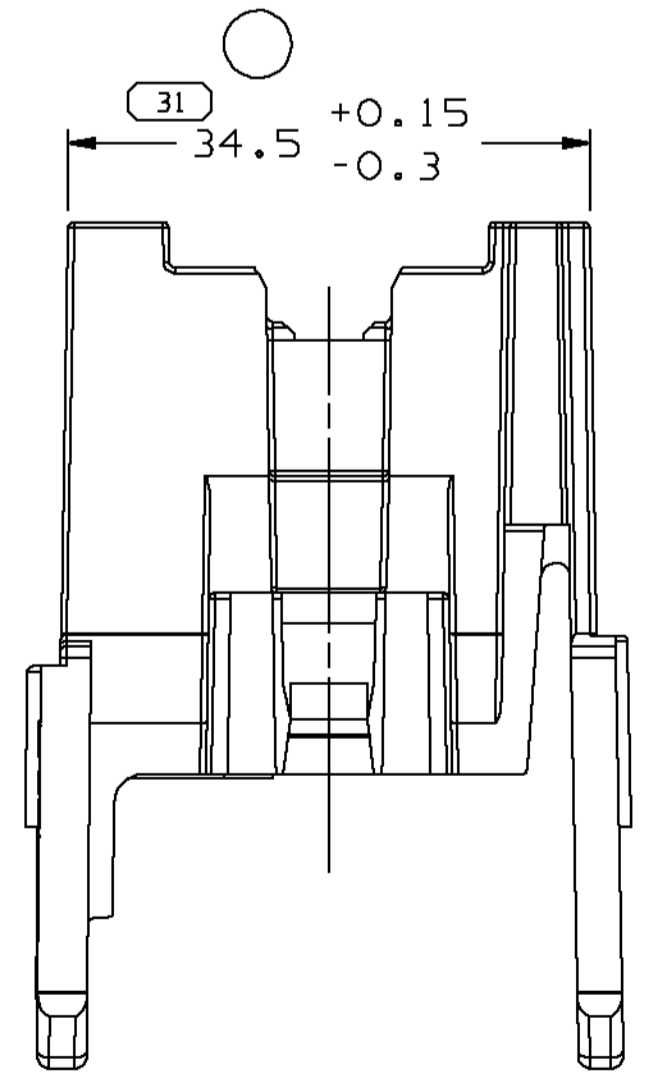
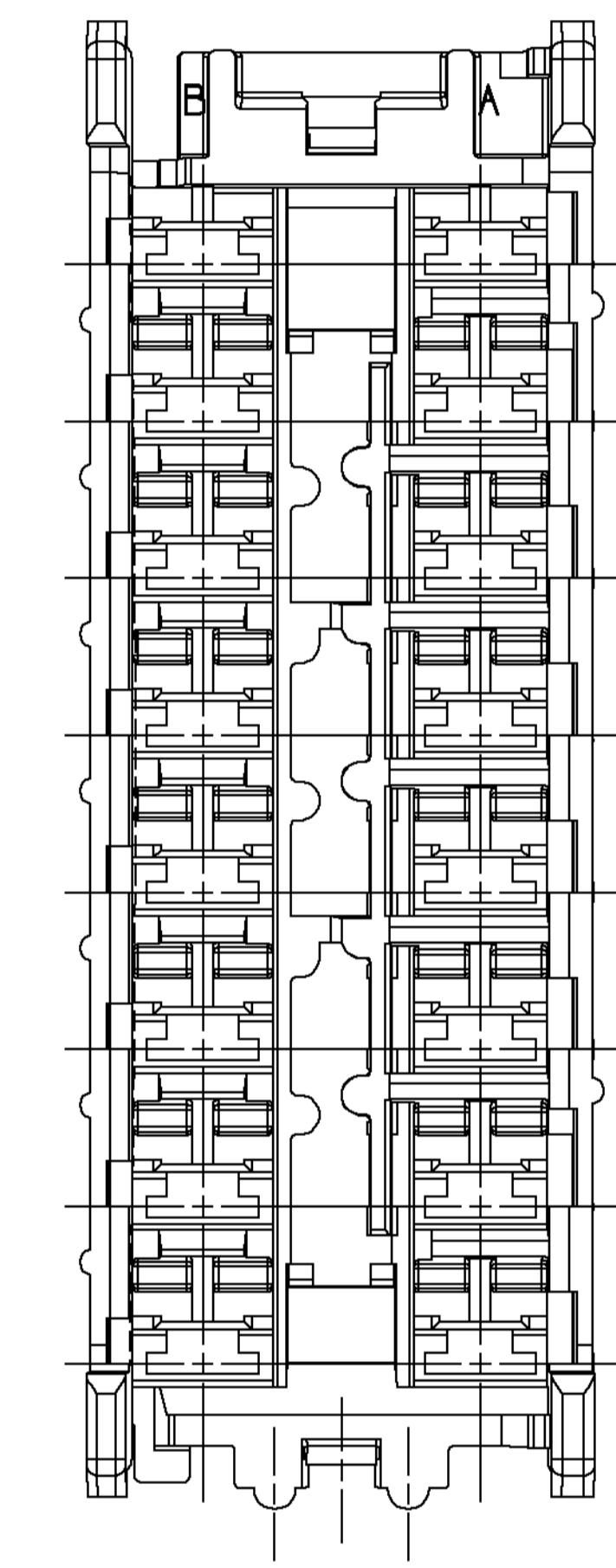
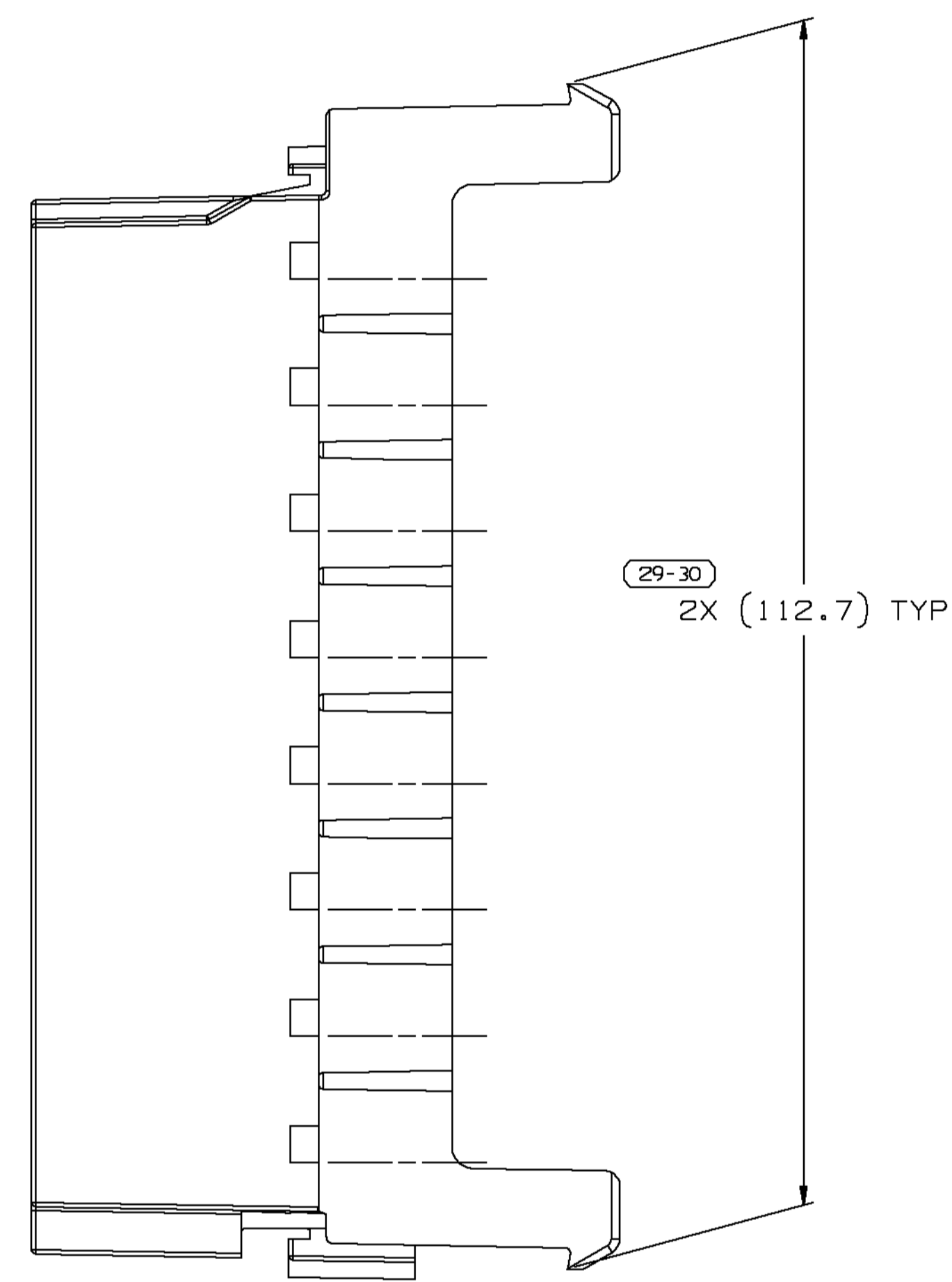
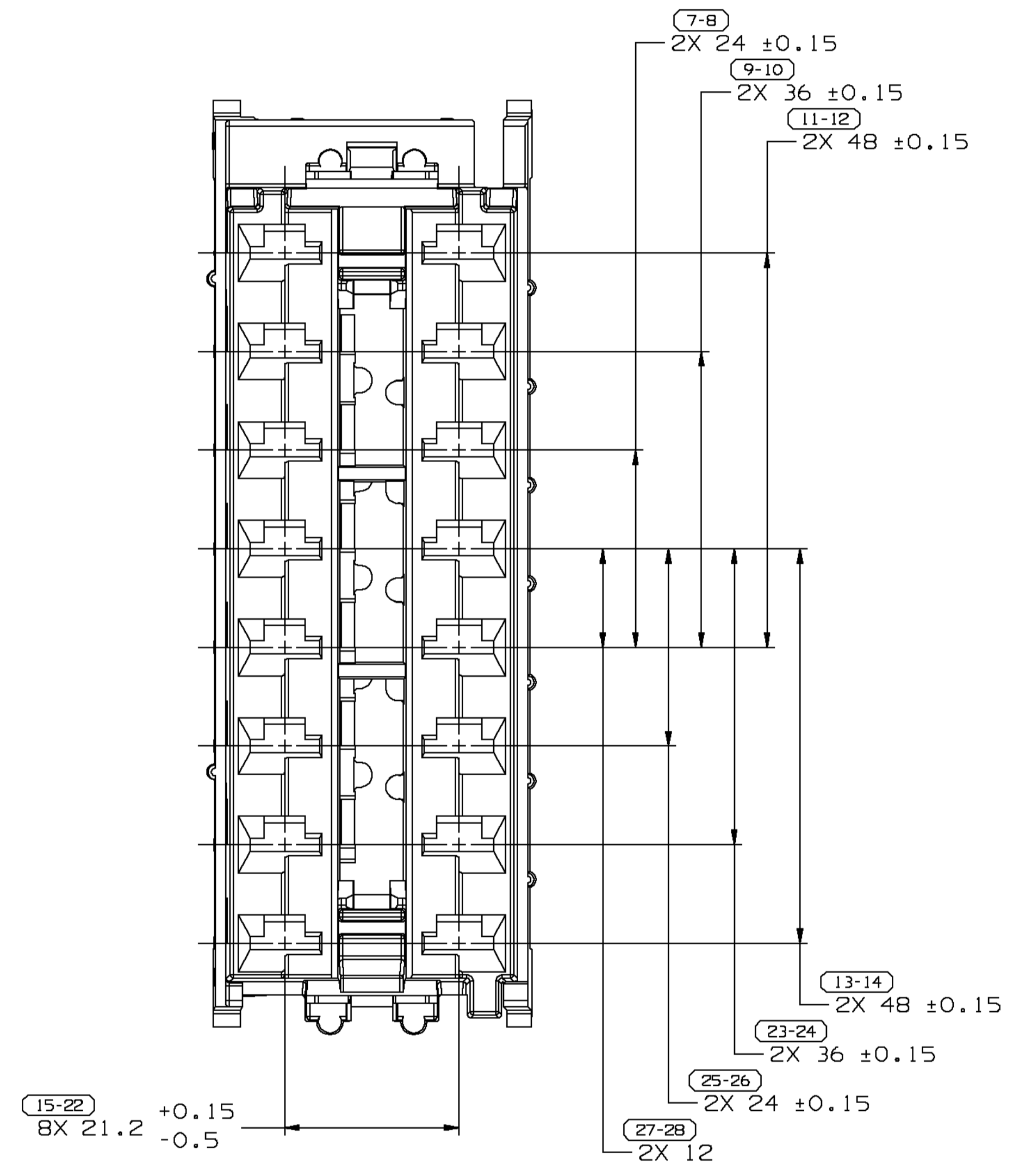
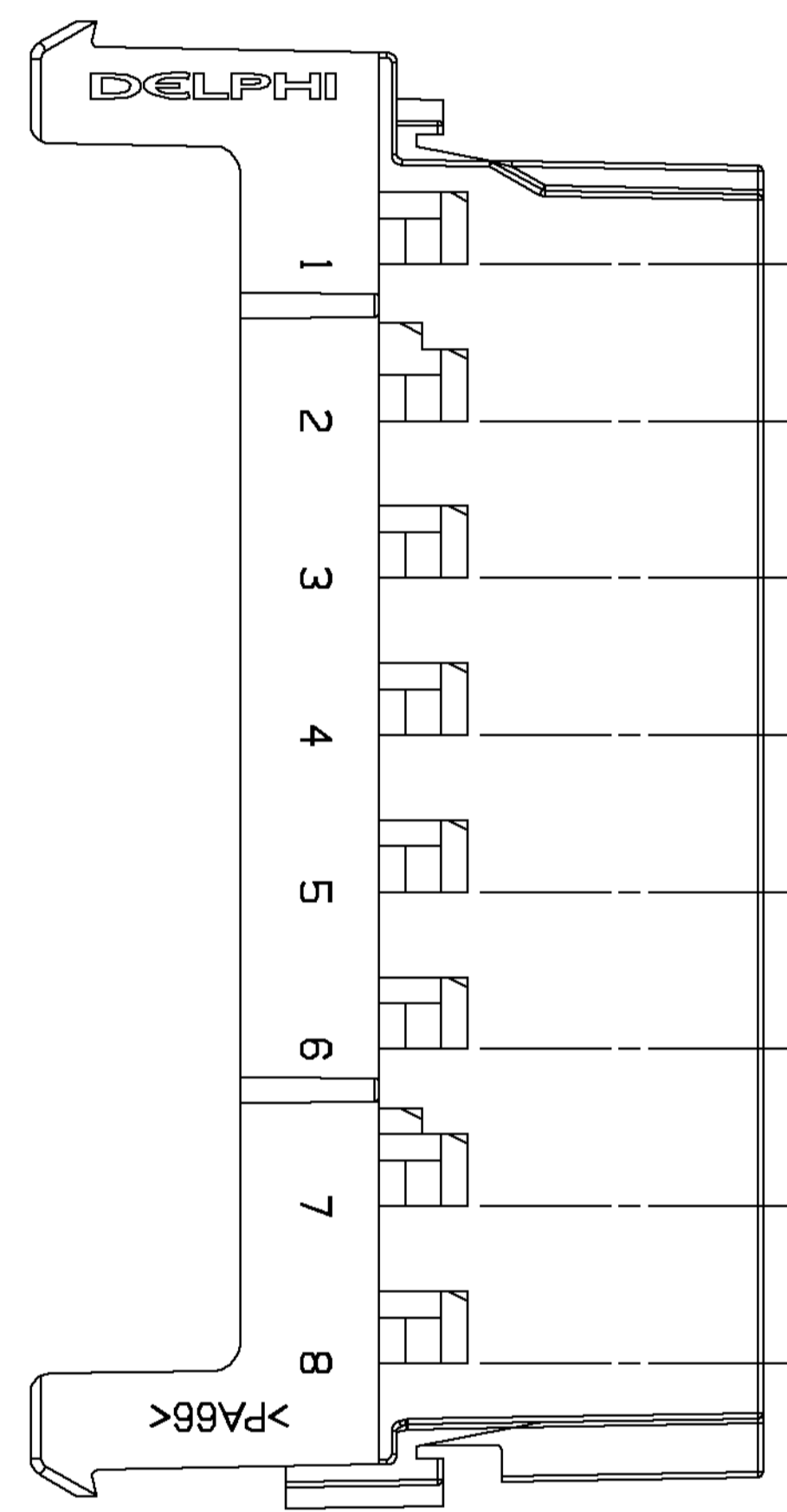
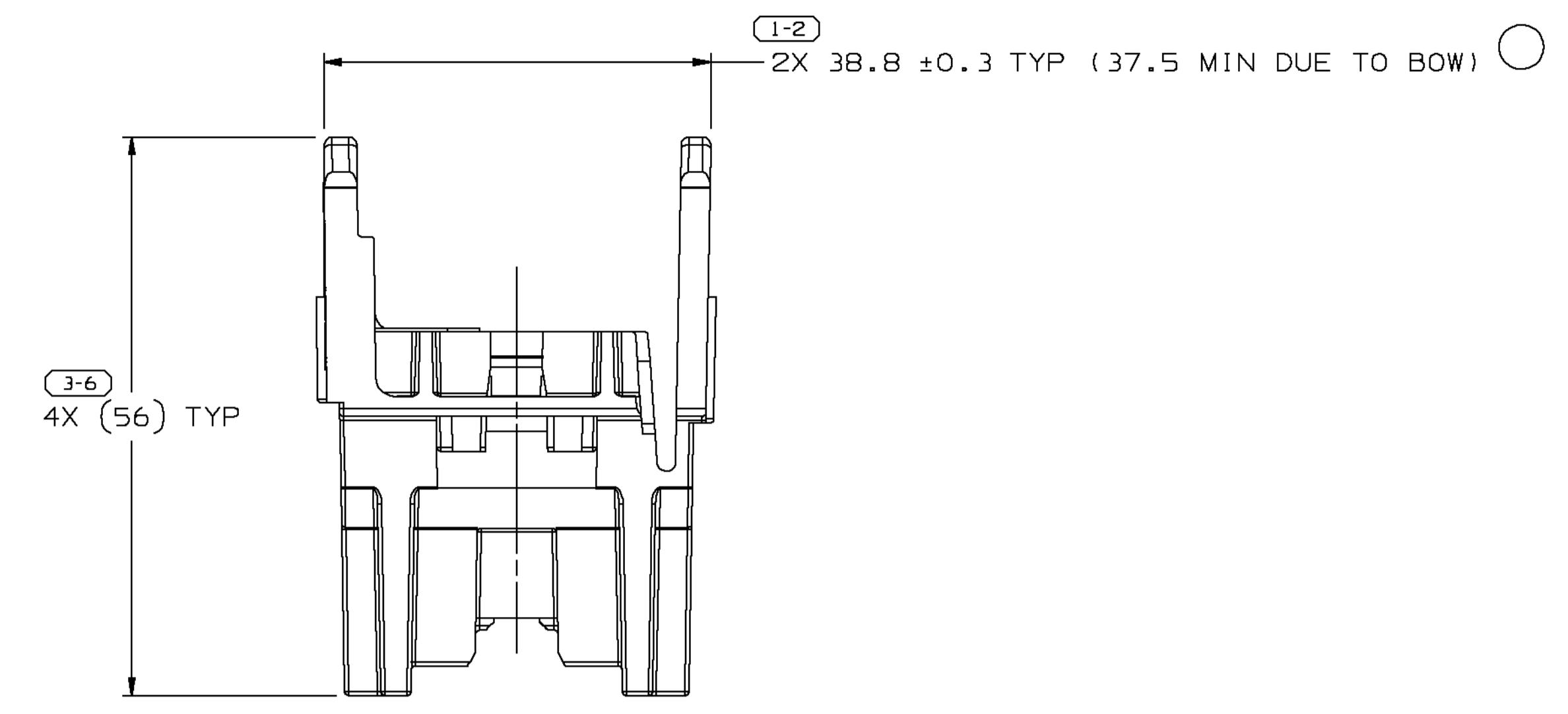


| SYMBOL DEFINITION   |  | TOTAL NO. OF SYMBOLS ON DRAWING | MISSING NUMBERS |
|---|--|---------------------------------|-----------------|
| A DIMENSION WITHOUT AN INSPECTION REPORT SYMBOL ( ) DOES NOT REQUIRE INSPECTION. IT MAY BE CONTROLLED ON AN INDIVIDUAL COMPONENT DRAWING. |  | 12                              |                 |
|   |  | 31                              |                 |

| DWG STATUS |     |     |     | REVISION HISTORY |      |  |        | AUTH |     |
|------------|-----|-----|-----|------------------|------|--|--------|------|-----|
| DATE       | STG | REV | N/P | CHG              | ZONE | DATE   | BY     | REV  | N/P |
| 19SE03     | R   | E1  | -   | -                |      | CLEARED REV COL., MAT'L SPEC WAS R0071676, ADDED NOTES (2 PLCS) AND REVISED TOL. | 246187 | EGR  | EM  |
| 24SE03     | R   | E2  | -   | -                |      | ADDED DIM & REVISED DIM  | 246377 | EGR  | EM  |



- NOTES
- UNLESS OTHERWISE SPECIFIED AND/OR INDICATED: DIMENSIONS ARE TO FACE OF VIEW SHOWN AND AUTOMATICALLY ROUNDED BY COMPUTER FOR INSPECTION (SEE MATH MODEL FOR PRECISE DIMENSIONS). FOR ALL OTHER DIMENSIONS NOT SHOWN BUT REQUIRED FOR TOOL BUILD, SEE MATH MODEL FOR PRECISE TOOL PATH DATA.
  - MATERIAL RECYCLING CODE PER ISO 11469. (2.3)X(0.1) RAISED CHARACTERS AS SHOWN TO BE LOCATED ON ANY EXTERIOR SURFACE. OPTIONAL CONSTRUCTION TO BE NO MATERIAL RECYCLING CODE.
  - MATING COMPONENTS OR EQUIVALENT: MOUNTING BASE 12077534
  - THIS PART ACCEPTS THE FOLLOWING COMPONENTS OR EQUIVALENT: COVER 12077538  
 CAVITIES A1 - A8 TO ACCEPT 12065916 TERMINAL ASSEMBLY OR EQUIVALENT.  
 CAVITIES B1 - B8 TO ACCEPT 12065930 TERMINAL ASSEMBLY OR EQUIVALENT.  
 MAX INSULATION CRIMP MUST BE LESS THAN 5.3 HIGH AND 10.05 WIDE.  
 SECONDARY TERMINAL LOCK 12077532  
 MAX CABLE O.D. MUST BE LESS THAN 5.8
  - (2.3)X(0.1) RAISED DELPHI CORPORATE BRAND TO BE LOCATED ON ANY EXTERIOR SURFACE. PREFERABLY VISIBLE AT FINAL ASSEMBLY. OPTIONAL CONSTRUCTION TO BE "PED" OR NO LOGO.

| DWG TYPE    |        | PART DRAWING |   |
|-------------|--------|--------------|---|
| STYLE       |        | DISTR CODE   | D |
| VOLUME (CM) | 48,568 |              |   |
| ROUTING     | 6900   |              |   |

**DELPHI**  
 DELPHI PACKARD ELECTRIC SYSTEMS  
 WARREN, OH

| DR                 | DATE   |
|--------------------|--------|
| APV01 JORGE IBARRA | 050C98 |
| APV02 FCO. KOPCA   | 150C98 |
| APV03 G. MOLINA    | 240C98 |

UNLESS OTHERWISE SPECIFIED  
 THIS DOCUMENT IS IN ACCORDANCE WITH ASME Y14.5M-1994  
 AS AMENDED BY THE 2003 DIMENSIONING AND TOLERANCING STANDARD (DTP). SEPARATE MATING OF FEATURES MAY BE OBTAINED SEPARATELY REGARDLESS OF DATUM REFERENCES.

ALL DIMENSIONS ARE IN MILLIMETERS

REFERENCE

(31) PROCESS SENSITIVE DIMENSION

DIMENSIONS ENCLOSED IN ( ) INDICATE REFERENCE DIMENSIONS AND NO TOLERANCE LIMITS ARE ESTABLISHED

| FROM  | TO    | ANGULAR TOLERANCE |
|-------|-------|-------------------|
| > 0   | > 30  | ± 1               |
| > 30  | > 70  | ± 1.2             |
| > 70  | > 100 | ± 1.5             |
| > 100 | > 150 | ± 2.0             |
| > 150 | > 200 | ± 2.5             |
| > 200 | > 300 | ± 3.0             |
| > 300 | > 400 | ± 4.0             |

THIRD ANGLE PROJECTION

DO NOT SCALE USE MATH DATA

UNCLAMPED

DRAWING NAME: CENT FUS BLK MAXI BLK PRINTED

DRAWING NUMBER: 12110415

SIZE: A0 SCALE: 2:1 FRAME NO: 1 OF 1 SHEET NO: 1 OF 1 STG: REV: N/P: E2

