

THIS DRAWING IS UNPUBLISHED. RELEASED FOR PUBLICATION
 © COPYRIGHT - By - ALL RIGHTS RESERVED.

LOC		DIST		REVISIONS			
P	LTR	DESCRIPTION		DATE	DWN	APVD	
	B3	REVISED PER ECO-11-004587		11MAR11	RK	HMR	

SPECIFICATIONS:
 BREAK BEFORE MAKE

MATERIALS:

FRAME: STEEL,ZINC PLATE
 ACTUATOR: PBT,UL94V0, SEE P/N TABLE
 TERMINAL/FIXED CONTACT: COPPER ALLOY, AG OVER NI
 OR AU OVER NI PLATE.
 MOVING CONTACT: COPPER ALLOY, AG OVER NI
 OR AU OVER NI PLATE
 TERMINAL BOARD: PHENOLIC, UL94HB
 COIL SPRING: CARBON STEEL WIRE

ELECTRICAL:

CONTACT RATING, 250MILLIAMPS @ 125V AC,
 150MILLIAMPS @ 12V DC
 CONTACT RESISTANCE, 30 MILLIOHMS MAX (INITIAL),
 60 MILLIOHMS AFTER TEST
 INSULATION RESISTANCE: 500 MEGOHMS MIN.
 DIELECTRIC STRENGTH: 500 VOLTS RMS @SEA LEVEL
 LIFE EXPECTANCY: 10,000 CYCLES MIN. NO LOAD,
 6,000 AT RATED CURRENT.

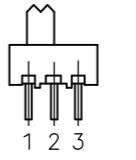
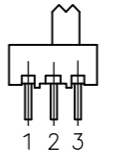
MECHANICAL:

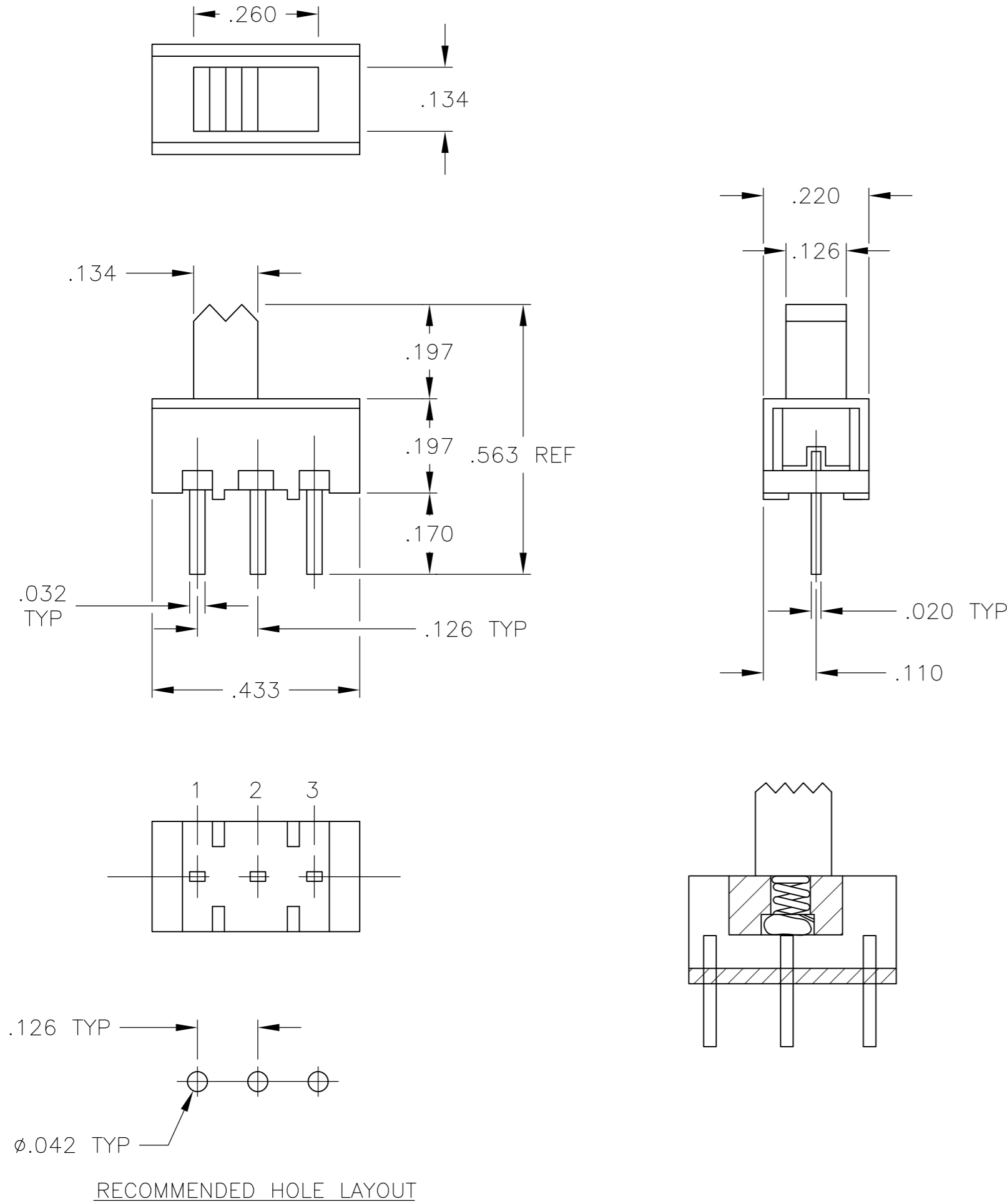
ACTUATION FORCE, 250 +150/-100 GRAMS
 TRAVEL, .126 (3.20)


ENVIRONMENTAL:

OPERATING TEMPERATURE: -10°C TO +85°C
 STORAGE TEMPERATURE: -10°C TO +85°C
 RESISTANCE TO SOLDER HEAT, 260°C FOR 10 SEC
 PER 109-202, CONDITION B
 SOLDERABILITY PER EIA-364-56A, PROCEDURE 3,
 CONDITION B

- ALL MATERIALS AND FINISHES SHALL COMPLY WITH EU DIRECTIVE 2002/95/EC OF 27 JAN2003 (ROHS)
- ALL PERFORMANCE SPECIFICATIONS WERE TESTED IN ACCORDANCE WITH JIS-C-5441 UNLESS OTHERWISE STATED.

1,2	2,3	NATURAL	GOLD	SPDT	SLS121NPCG04	1825115-4
1,2	2,3	NATURAL	SILVER	SPDT	SLS121NPC04	1825115-3
1,2	2,3	BLACK	GOLD	SPDT	SLS121PCG04	1825115-2
1,2	2,3	BLACK	SILVER	SPDT	SLS121PCG04	1825115-1
						
LEFT	RIGHT					
ACTUATOR POSITION		ACTUATOR COLOR	FINISH	TYPE	ALCO P/N	PART NO.



THIS DRAWING IS A CONTROLLED DOCUMENT.		DWN B S VISWESWARA 01MAR05	 TE Connectivity																					
DIMENSIONS: INCHES		CHK M S SARVER					NAME																	
TOLERANCES UNLESS OTHERWISE SPECIFIED:		APVD -	PRODUCT SPEC																					
<table border="0"> <tr><td>0 PLC</td><td>±</td><td>-</td></tr> <tr><td>1 PLC</td><td>±</td><td>-</td></tr> <tr><td>2 PLC</td><td>±</td><td>-</td></tr> <tr><td>3 PLC</td><td>±</td><td>.010</td></tr> <tr><td>4 PLC</td><td>±</td><td>-</td></tr> <tr><td>ANGLES</td><td>±</td><td>-</td></tr> </table>		0 PLC	±	-	1 PLC	±	-	2 PLC	±	-	3 PLC	±	.010	4 PLC	±	-	ANGLES	±	-	APPLICATION SPEC	SLIDE SWITCH, SPDT (SLS121PC & SLS121PCG)			
0 PLC	±	-																						
1 PLC	±	-																						
2 PLC	±	-																						
3 PLC	±	.010																						
4 PLC	±	-																						
ANGLES	±	-																						
MATERIAL SEE TABLE	FINISH -	WEIGHT -	SIZE A2	CAGE CODE 00779	DRAWING NO C=1825115	RESTRICTED TO -																		
CUSTOMER DRAWING			SCALE 4:1	SHEET 1 of 1	REV B3																			