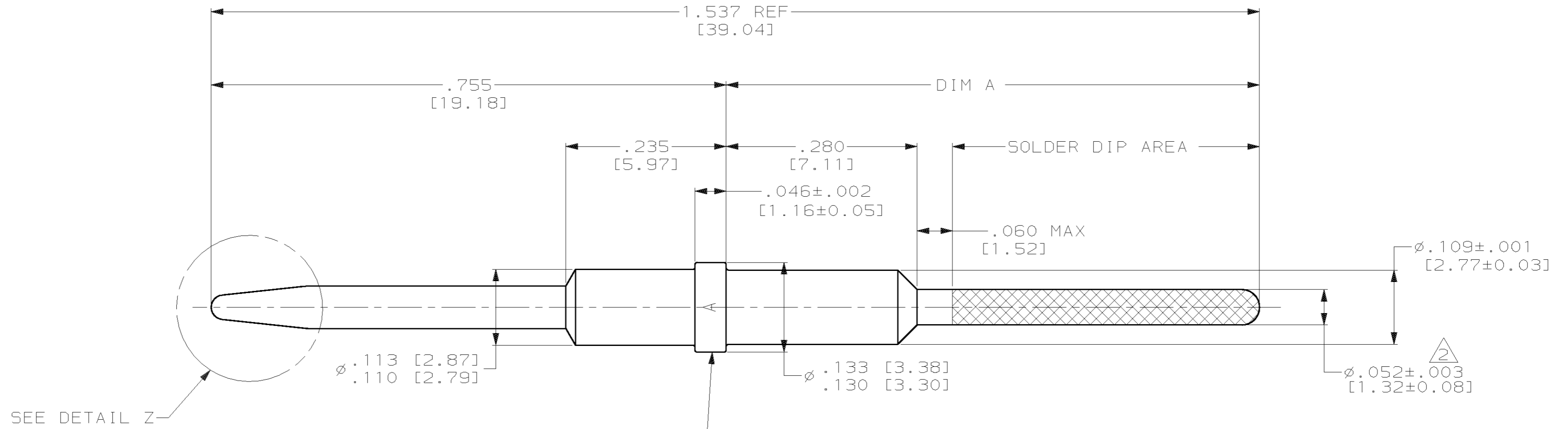


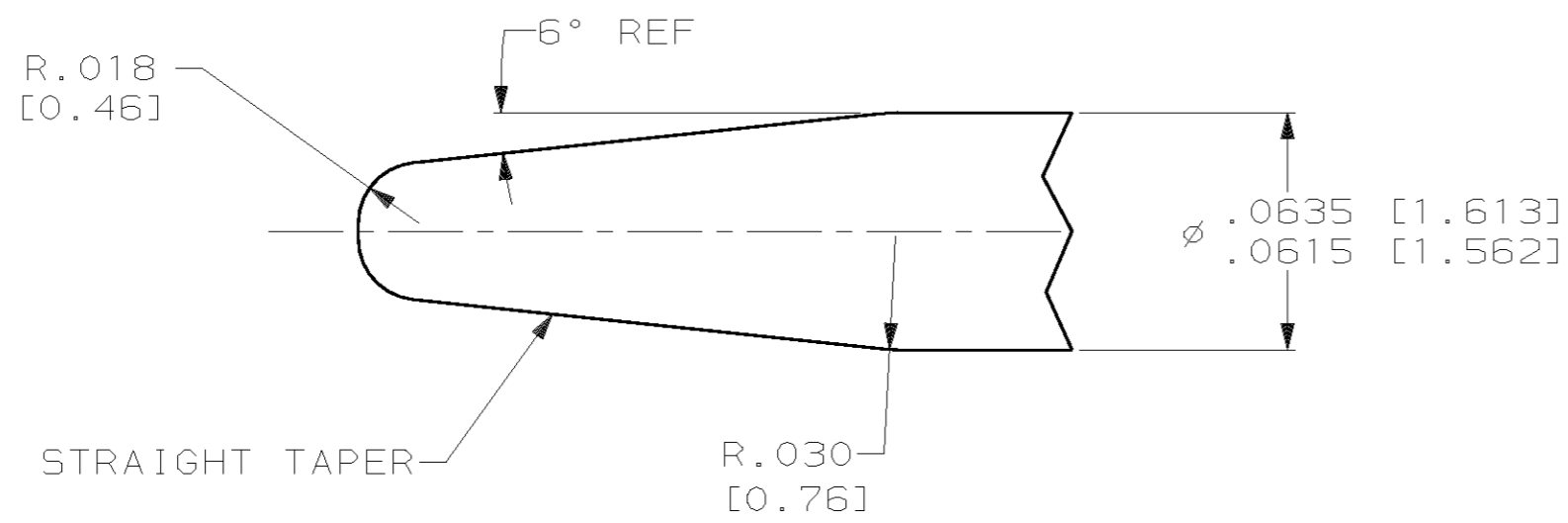
THIS DRAWING IS UNPUBLISHED. RELEASED FOR PUBLICATION  
 (C) COPYRIGHT 19 BY AMP INCORPORATED. ALL RIGHTS RESERVED.

LOC		DIST		REVISIONS			
P	LTR	DESCRIPTION	DATE	DWN	APVD		
B		REV PER 063D-0517-03	9-11-03	JMK	SG		

- 1. FOR USE IN ARINC 600 REAR RELEASE INSERT.
- 2. DIMENSIONS APPLY BEFORE SOLDER DIP.



MAT'L: LEADED COPPER PER ASTM-B-301  
 FINISH: PLATED GOLD .000050 [0.0012] MIN THK  
 PER ASTM-B-488 OVER NICKEL .000050 [0.0012]  
 MIN THK. PER QQ-N-290



DETAIL Z  
 SCALE 20:1

.522 [13.26]	NO	1-1663128-0
.652 [16.56]	NO	1663128-8
.635 [16.13]	YES	1663128-6
.635 [16.13]	NO	1663128-5
.782 [19.86]	YES	1663128-3
.782 [19.86]	NO	1663128-2
DIM A	SOLDER DIP	PART NUMBER

THIS DRAWING IS A CONTROLLED DOCUMENT.		DWN C.C. THOMAS 11-19-02	tyco Electronics		TYCO Electronics Harrisburg, PA 17105-3608
DIMENSIONS: INCHES [mm]		CHK S. GLATFELTER 11-19-02	NAME S. GLATFELTER 11-19-02		
TOLENCES UNLESS OTHERWISE SPECIFIED:		APVD S. GLATFELTER 11-19-02	PRODUCT SPEC -		
0 PLC ±-		APPLICATION SPEC -			
1 PLC ±-		WEIGHT -			
2 PLC ±-		SCALE A2 00779 C- 1663128			
3 PLC ±.005 [0.13]		RESTRICTED TO -			
4 PLC ±-		SHEET 1 OF 1			
ANGLES ±-		REV B			
MATERIAL SEE CALLOUT		FINISH SEE CALLOUT		CUSTOMER DRAWING	