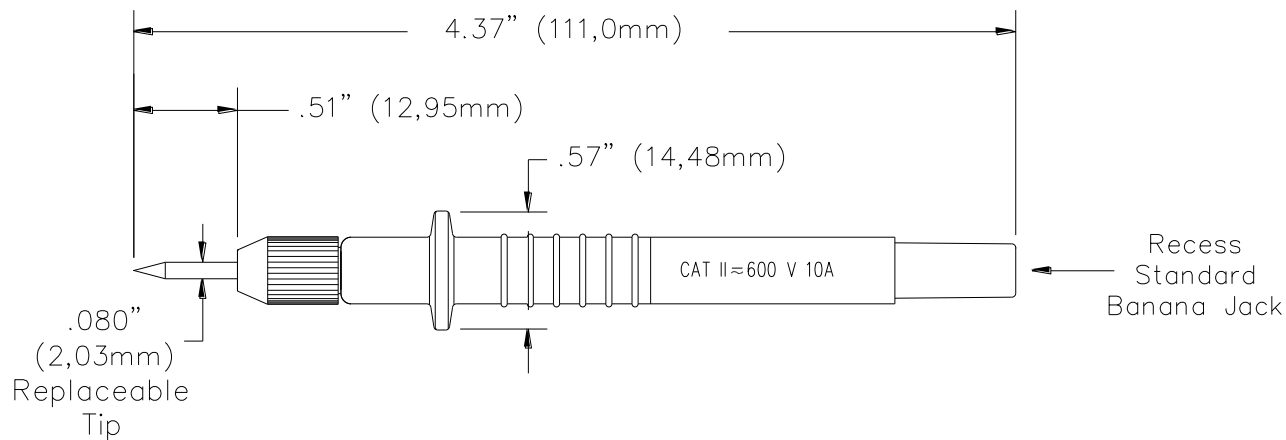


Model 5689A
Replaceable Tip Test Probe with Banana Jack**FEATURES:**

- Modular Test Probe
- Replaceable tip
- Comes with two Stainless-Steel Sharp Point Tips: Model 4172

MATERIALS:

Replaceable Tip Probe: Stainless Steel

Tip O.D.: 0.080"

Body: Nylon

RATINGS:

Operating Voltage: 600 Vrms per IEC 61010-031, Category II.

Operating Current: 10 Amperes

ORDERING INFORMATION:

Model 5689A

Replaceable Tips:

Model **5133**: SMD Microtip, Stainless-Steel Sharp Point

Model **6364**: Set of replaceable tips

-5688: Standard

-4174: Stainless-Steel Sharp Point

-5133: SMD Microtip, Stainless-Steel Sharp Point

-4988: Needle Stainless-Steel Sharp Point

Modular Test Leads:

Model 5907A: Right-Angle Banana Plug to Straight Banana Plug

Model 5908A: Straight Banana Plug to Straight Banana Plug

Model 5909A: Right-Angle Banana Plug to Right-Angle Banana Plug



USA: Sales: 800-490-2361
Technical Support: technicalsupport@pomonatest.com
Fax: 425-446-5844

Europe: 31-(0) 40 2675 150 **International:** 425-446-5500

Where to Buy: www.pomonaelectronics.com

All dimensions are in inches. Tolerances (except noted): .xx = ±.02" (.51 mm), .xxx = ±.005" (.127 mm). All specifications are to the latest revisions. Specifications are subject to change without notice. Registered trademarks are the property of their respective companies.